



Chipsmall Limited consists of a professional team with an average of over 10 year of expertise in the distribution of electronic components. Based in Hongkong, we have already established firm and mutual-benefit business relationships with customers from,Europe,America and south Asia,supplying obsolete and hard-to-find components to meet their specific needs.

With the principle of “Quality Parts,Customers Priority,Honest Operation,and Considerate Service”,our business mainly focus on the distribution of electronic components. Line cards we deal with include Microchip,ALPS,ROHM,Xilinx,Pulse,ON,Everlight and Freescale. Main products comprise IC,Modules,Potentiometer,IC Socket,Relay,Connector.Our parts cover such applications as commercial,industrial, and automotives areas.

We are looking forward to setting up business relationship with you and hope to provide you with the best service and solution. Let us make a better world for our industry!



Contact us

Tel: +86-755-8981 8866 Fax: +86-755-8427 6832

Email & Skype: info@chipsmall.com Web: www.chipsmall.com

Address: A1208, Overseas Decoration Building, #122 Zhenhua RD., Futian, Shenzhen, China



High Performance *ActivePSR™* Primary Switching Regulator

FEATURES

- Ultra Low Standby Power < 30mW
- Meet 5-Star Energy Saving Requirement
- Patented Primary Side Regulation Technology
- No Opto-Coupler
- Best-in-Class Constant Voltage, Constant Current Accuracy
- Low EMI
- Proprietary Fast Startup Circuit
- Built-in Soft-Start Circuit
- Integrated Line and Primary Inductance Compensation
- Integrated Programmable Output Cord Resistance Compensation
- Line Under-Voltage, Output Over-Voltage, Output Short-Circuit and Over-Temperature Protection
- Complies with all Global Energy Efficiency and CEC Average Efficiency Standards
- Adjustable power from 2W to 7W
- Minimum External Components
- Tiny SOT23-6 Package

APPLICATIONS

- Chargers for Cell Phones, PDAs, MP3, Portable Media Players, DSCs, and Other Portable Devices and Appliances
- RCC Adapter Replacements
- Linear Adapter Replacements
- Standby and Auxiliary Supplies

GENERAL DESCRIPTION

The ACT330 belongs to the high performance patented *ActivePSR™* Family of Universal-input AC/DC off-line controllers for battery charger and adapter applications. It is designed for flyback topology working in discontinuous conduction mode (DCM). The ACT330 meets all of the global energy efficiency regulations (CEC, European Blue Angel,

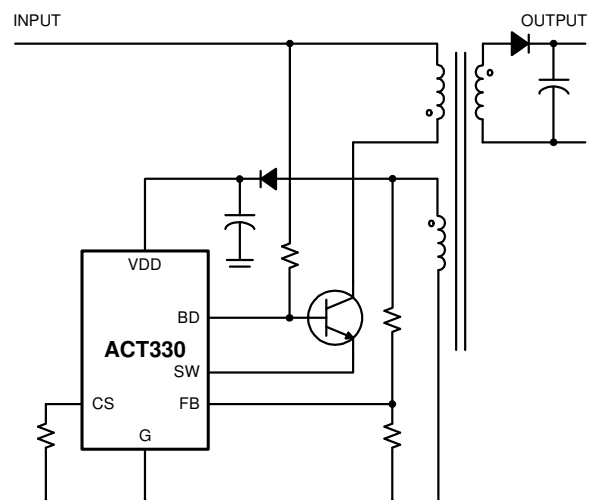
and US Energy Star standards) while using very few external components.

The ACT330 ensures safe operation with complete protection against all fault conditions. Built-in protection circuitry is provided for output short-circuit, output over-voltage, line under-voltage, and over temperature conditions.

The ACT330 *ActivePSR™* is optimized for high performance, cost-sensitive applications, and utilizes Active-Semi's proprietary primary-side feedback architecture to provide accurate constant voltage, constant current (CV/CC) regulation without the need of an opto-coupler or reference device. Integrated line and primary inductance compensation circuitry provides accurate constant current operation despite wide variations in line voltage and primary inductance. Integrated output cord resistance compensation further enhances output accuracy. The ACT330 achieves excellent regulation and transient response, yet requires less than 30mW of standby power.

The ACT330 is optimized for 2W to 7W applications. It is available in space-saving 6 pin SOT23-6 package.

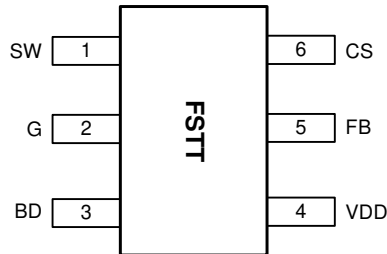
Figure 1:
Simplified Application Circuit



ORDERING INFORMATION

PART NUMBER	TEMPERATURE RANGE	PACKAGE	PINS	PACKING METHOD	TOP MARK
ACT330US-T	-40°C to 85°C	SOT23-6	6	TAPE & REEL	FSTT

PIN CONFIGURATION



SOT23-6
ACT330US-T

PIN DESCRIPTIONS

PIN	NAME	DESCRIPTION
1	SW	Switch Drive. Switch node for the external NPN transistor. Connect this pin to the external power NPN's emitter. This pin also supplies current to VDD during startup.
2	G	Ground.
3	BD	Base Drive. Base driver for the external NPN transistor.
4	VDD	Power Supply. This pin provides bias power for the IC during startup and steady state operation.
5	FB	Feedback Pin. Connect this pin to a resistor divider network from the auxiliary winding.
6	CS	Current Sense Pin. Connect an external resistor (R_{CS}) between this pin and ground to set peak current limit for the primary switch. The peak current limit is set by $(0.396V \times 0.9) / R_{CS}$. For more detailed information, see Application Information.

Figure 6:
Universal VAC Input, 5V/0.7A Output Charger

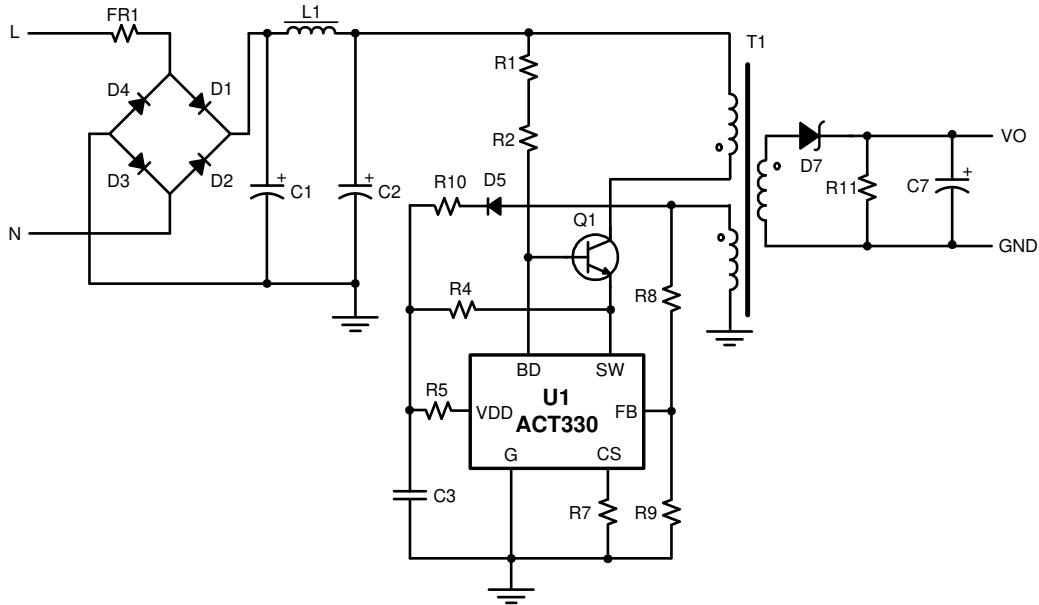
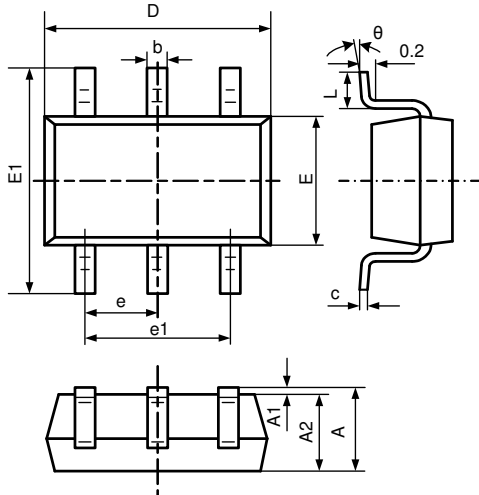


Table 1:
ACT330 Bill of Materials

ITEM	REFERENCE	DESCRIPTION	QTY	MANUFACTURER
1	U1	IC, ACT330US-T, SOT23-6	1	Active-Semi
2	C1, C2	Capacitor, Electrolytic, 4.7 μ F/400V, 8 \times 12mm	2	KSC
3	C3	Capacitor, Ceramic, 4.7 μ F/35V, 1206, SMD	1	POE
4	C7	Capacitor, Electrolytic, 470 μ F/10V, 8 \times 12mm	1	KSC
5	D1-D4	Diode, Rectifier, 1000V/1A, 1N4007, DO-41	4	Good-Ark
6	D5	Diode, Ultra Fast, FR107, 1000V/1.0A, DO-41	1	Good-Ark
7	D7	Diode, Schottky, 40V/2A, SB240, DO-15	1	Good-Ark
8	L1	Axial Inductor, 1.5mH, 0410, DIP	1	Amode Tech
9	Q1	Transistor, NPN, 900V, 1.5A, KSB13003HR, TO-92	1	Semi How
10	FR1	Fusible Resistor, 1W, 10 Ω , 5%	1	TY-OHM
11	R1, R2	Chip Resistor, 15M Ω , 1206, 5%	2	TY-OHM
12	R4	Chip Resistor, 162k, 0805, 5%	1	TY-OHM
13	R5	Chip Resistor, 22 Ω , 0603, 5%	1	TY-OHM
14	R7	Chip Resistor, 1.07 Ω , 1206, 1%	1	TY-OHM
15	R8	Chip Resistor, 57.6k, 0805, 1%	1	TY-OHM
16	R9	Chip Resistor, 9.53k, 0805, 1%	1	TY-OHM
17	R10	Chip Resistor, 22 Ω , 0805, 5%	1	TY-OHM
18	R11	Chip Resistor, 6.2k, 0805, 5%	1	TY-OHM
19	T1	Transformer, L _p = 2.35mH \pm 7%, EE16	1	

PACKAGE OUTLINE

SOT23-6 PACKAGE OUTLINE AND DIMENSIONS



SYMBOL	DIMENSION IN MILLIMETERS		DIMENSION IN INCHES	
	MIN	MAX	MIN	MAX
A	1.050	1.250	0.041	0.049
A1	0.000	0.100	0.000	0.004
A2	1.050	1.150	0.041	0.045
b	0.300	0.500	0.012	0.020
c	0.100	0.200	0.004	0.008
D	2.820	3.020	0.111	0.119
E	1.500	1.700	0.059	0.067
E1	2.650	2.950	0.104	0.116
e	0.950 TYP		0.037 TYP	
e1	1.800	2.000	0.071	0.079
L	0.700 REF		0.028 REF	
L1	0.300	0.600	0.012	0.024
θ	0°	8°	0°	8°

Active-Semi, Inc. reserves the right to modify the circuitry or specifications without notice. Users should evaluate each product to make sure that it is suitable for their applications. Active-Semi products are not intended or authorized for use as critical components in life-support devices or systems. Active-Semi, Inc. does not assume any liability arising out of the use of any product or circuit described in this datasheet, nor does it convey any patent license.

Active-Semi and its logo are trademarks of Active-Semi, Inc. For more information on this and other products, contact sales@active-semi.com or visit <http://www.active-semi.com>. For other inquiries, please send to:

2728 Orchard Parkway, San Jose, CA 95134-2012, USA