



Chipsmall Limited consists of a professional team with an average of over 10 year of expertise in the distribution of electronic components. Based in Hongkong, we have already established firm and mutual-benefit business relationships with customers from,Europe,America and south Asia,supplying obsolete and hard-to-find components to meet their specific needs.

With the principle of “Quality Parts,Customers Priority,Honest Operation,and Considerate Service”,our business mainly focus on the distribution of electronic components. Line cards we deal with include Microchip,ALPS,ROHM,Xilinx,Pulse,ON,Everlight and Freescale. Main products comprise IC,Modules,Potentiometer,IC Socket,Relay,Connector.Our parts cover such applications as commercial,industrial, and automotives areas.

We are looking forward to setting up business relationship with you and hope to provide you with the best service and solution. Let us make a better world for our industry!



## Contact us

Tel: +86-755-8981 8866 Fax: +86-755-8427 6832

Email & Skype: info@chipsmall.com Web: www.chipsmall.com

Address: A1208, Overseas Decoration Building, #122 Zhenhua RD., Futian, Shenzhen, China



### Ambient Light Sensor - Surface Mount EAALSDIC2012A0



#### Features

- Close responsively to the human eye spectrum
- Light to Current, analog output
- Good output linearity across wide illumination range
- Low sensitivity variation across various light sources
- Operating temperature performance, -40oC to 85oC
- Wide supply voltage range, 1.8V to 5.5V
- Size : 2.0mm(L)\*1.25mm(W)\*0.8mm(H)
- RoHS compliant and Pb Free package
- Compliance with EU REACH.

#### Description

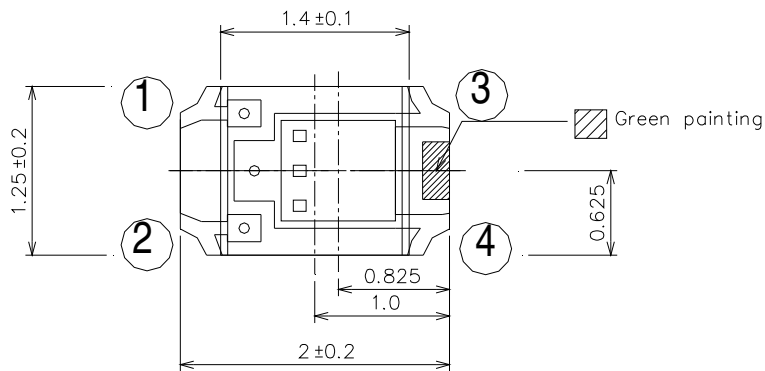
The EAALSDIC2012A0 is a low cost ambient light sensor, consisting of a photodiode and a current amplification IC. Everlight Americas ALS series product is a good effective solution to the power saving of display backlighting of mobile appliances, such as the mobile phones, NB and PDAs. Due to the high rejection ratio of infrared radiation, the spectral response of the ambient light sensor is close to that of human eyes.

#### Applications

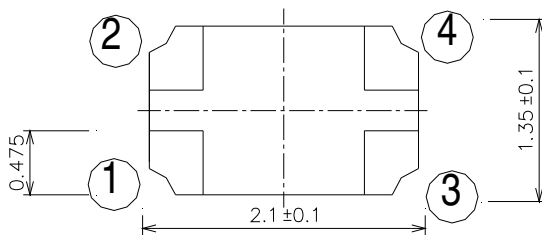
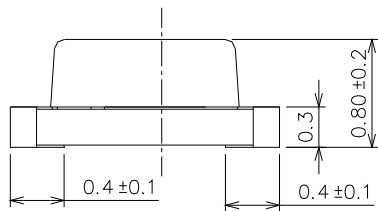
- Detection of ambient light to control display backlighting
  - Mobile devices – mobile phones, PDAs
  - Computing device – TFT LCD monitor for Notebook computer
  - Consumer device – TFT LCD TV, plasma TV, video camera, digital camera, toys
- Automatic residential and commercial management
- Automatic contrast enhancement for electronic signboard
- Ambient light monitoring device for daylight and artificial light
  - Street light, CCD/CCTV

**Package Dimensions**

Top view



- ① Out
- ② Vcc
- ③ GND
- ④ GND



Bottom view

Notes: 1. All dimensions are in millimeters  
2. Tolerances unless dimensions  $\pm 0.1$ mm

### Absolute Maximum Ratings (Ta=25°C)

Parameter	Symbol	Rating	Unit
Supply Voltage	V <sub>CC</sub>	-0.5 ~ 6	V
Output Voltage	V <sub>O</sub>	0 ~ V <sub>CC</sub> -0.8	V
Output Photo Current	I <sub>PH</sub>	0 ~ 5	mA
Operating Temperature	T <sub>opr</sub>	-40 ~ +85	°C
Storage Temperature	T <sub>stg</sub>	-40 ~ +100	°C
ESD	ESD <sub>HBM</sub>	3000	V
	ESD <sub>MM</sub>	300	V
Soldering Temperature	T <sub>sol</sub>	260	°C

Note: For detail reflow time and the recommended temperature profile, please refer to page 8.

### Recommended Operating Conditions (Ta=25°C)

Parameter	Symbol	Rating	Unit
Supply Voltage	V <sub>CC</sub>	1.8 ~ 5.5	V
Operating Temperature	T <sub>opr</sub>	-40 ~ +85	°C

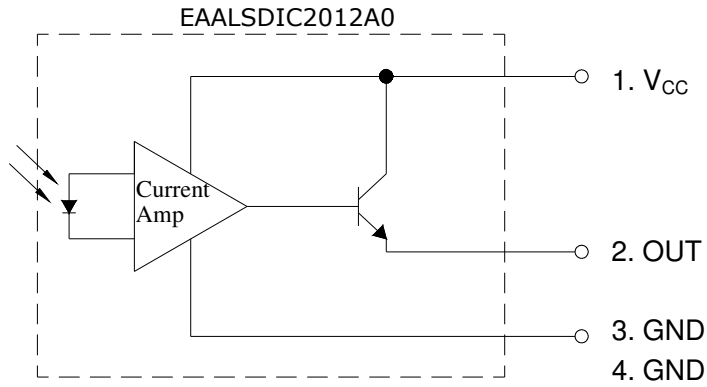
### Electro-Optical Characteristics (Ta=25°C)

Parameter	Symbol	Min.	Typ.	Max.	Unit	Condition	
Dark Current	$I_D$	-----	-----	100	nA	$V_{CC}=3V$ ; $E_V=0Lux$	
Light Current	$I_{PH1}$	27	-----	54	$\mu A$	$V_{CC}=3V$ ; $E_V=100Lux$ (Note 1)	
	$I_{PH2}$	32.4	-----	70.2	$\mu A$	$V_{CC}=3V$ ; $E_V=100Lux$ (Note 2)	
	$I_{PH3}$	270	-----	540	$\mu A$	$V_{CC}=3V$ ; $E_V=1000Lux$ (Note 1)	
Photocurrent Ratio	$I_{PH2}/I_{PH1}$	-----	1.2	-----	-----		
Peak Sensitivity Wavelength	$\lambda_P$	-----	590	-----	nm		
Switching Time	Rise Time	$t_r$	-----	0.36	-----	mS	$V_{CC}=3V$ ; $E_V=1000Lux$ $R_L=150K\Omega$ (Fig. 4)
	Fall Time	$t_f$	-----	1.13	-----	mS	
	Delay Time	$t_d$	-----	2.30	-----	mS	
	Storage Time	$t_s$	-----	0.69	-----	mS	

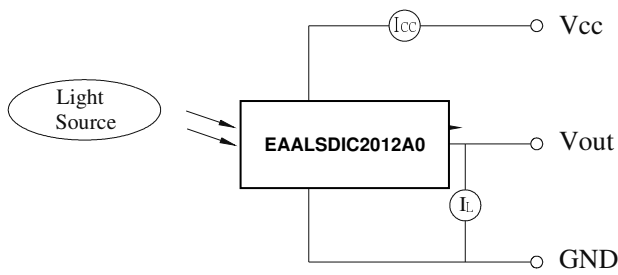
Note:

1. White Fluorescent light (Color Temperature = 6500K) is used as light source. However, White LED is substituted in mass production.
2. Illuminance by CIE standard illuminant-A / 2856K, incandescent lamp.

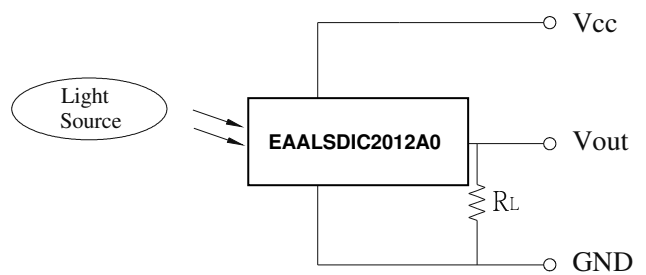
**Fig.1 Block Diagram**



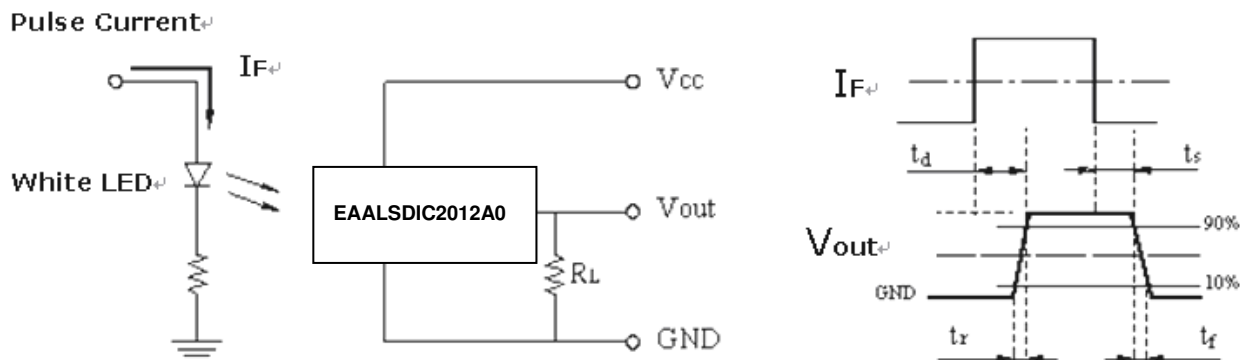
**Fig. 2 Measurement Method of Light Current**



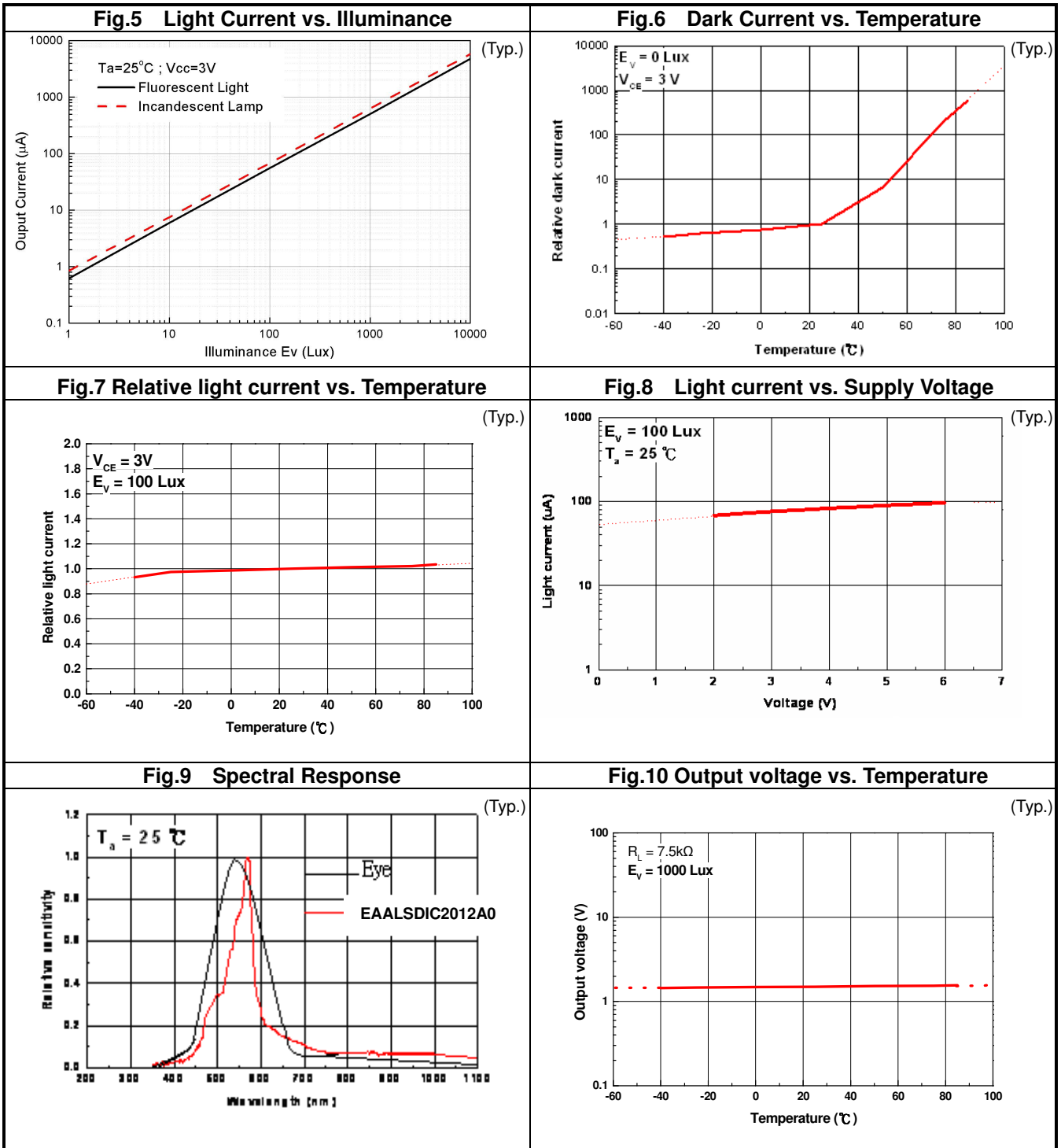
**Fig.3 Measurement Method of Saturation Output Voltage**



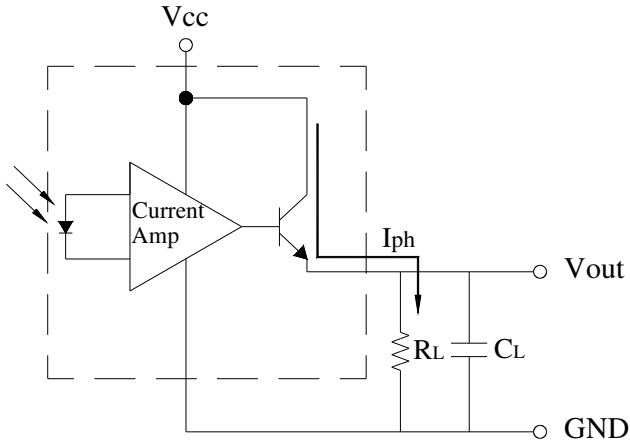
**Fig.4 Switching Time Measurement Method**



**Typical Electro-Optical Characteristics Curves**



### Converting Photocurrent to Voltage



Note:

1. The output voltage (Vout) is the product of photocurrent (IPH) and loading resistor (RL)
2. A right loading resistor shall be chosen to meet the requirement of maximum ambient light, and output saturation voltage:

$$V_{out(max.)} = I_{out(max.)} \times R_L \leq V_{out(saturation)} = V_{cc} - 0.6V$$

3. To avoid 60Hz ripple from fluorescent lamps, we suggest that the time constant must be greater than 0.5 second:

$$R_L \times C_L \geq 0.5 \quad (\text{empirical data})$$



**Packing Quantity Specification**

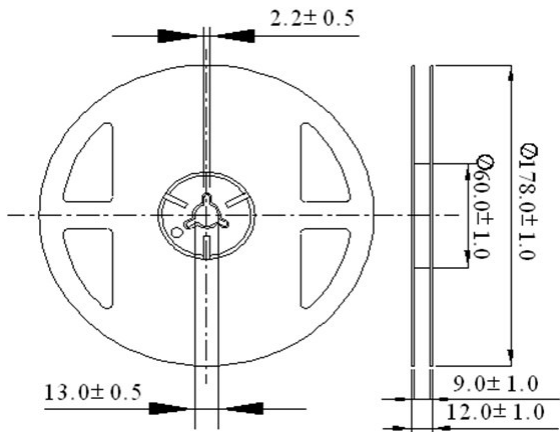
3000 PCS/ 1 Reel

**Label Explanation**

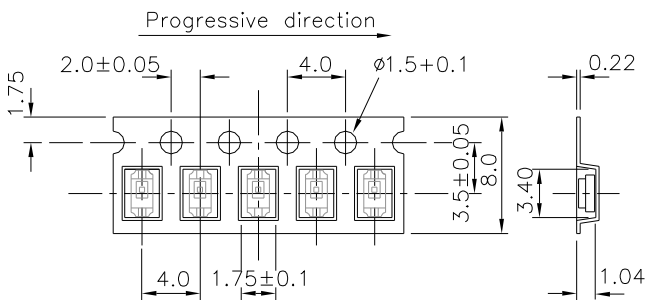


- CPN: Customer's Product Number
- P/N: Product Number
- QTY: Packing Quantity
- CAT: Luminous Intensity Rank
- HUE: Dom. Wavelength Rank
- REF: Forward Voltage Rank
- LOT No: Lot Number

**Reel Dimensions**

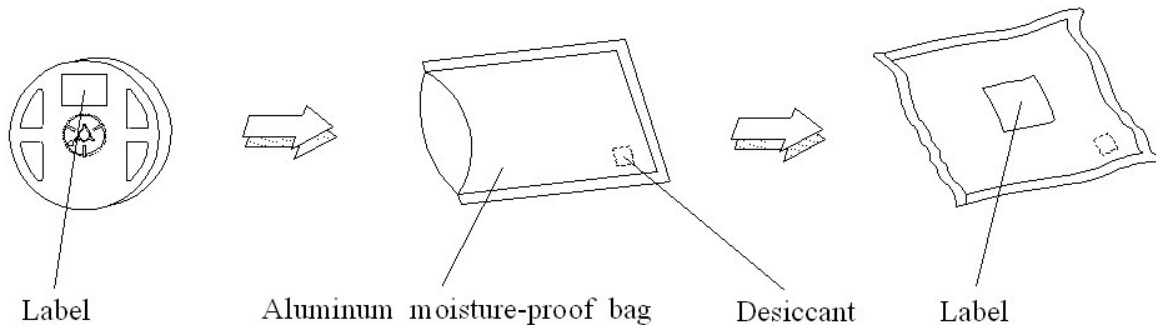


**Carrier Tape Dimensions: Loaded Quantity 3000 pcs Per Reel**



Note: Tolerances unless mentioned  $\pm 0.1$ mm. Unit = mm

### Moisture Resistant Packing Process



Note: Tolerances unless mentioned  $\pm 0.1\text{mm}$ . Unit = mm

### Recommended method of storage

Reflow Terms: JEDEC Level 3 Specification

Dry box storage is recommended as soon as the aluminum bag has been opened prevent moisture absorption. The following conditions should be observed, if dry boxes are not available:

Storage temperature  $10^{\circ}\text{C}$  to  $30^{\circ}\text{C}$   
Storage humidity  $\leq 60\%RH$  max

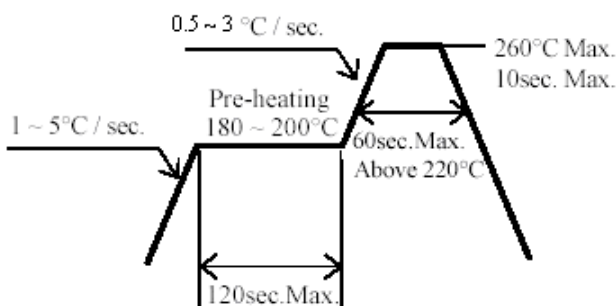
After more than 168 hours under these conditions moisture content will be too high for reflow soldering. In case of moisture absorption, the devices will recover to former condition by drying under the following condition:

192 hours at  $40^{\circ}\text{C} + 5^{\circ}\text{C} / - 0^{\circ}\text{C}$  and  $5\%RH$  (dry air / nitrogen), or  
96 hours at  $60^{\circ}\text{C} + 5^{\circ}\text{C}$  and  $< 5\%RH$  for all device containers, or  
24 hours at  $125^{\circ}\text{C} + 5^{\circ}\text{C}$  not suitable for reel or tubes

### ESD Precaution:

Proper storage and handing procedures should be followed to prevent ESD damage to the devices especially when they are removed from the Anti-static bag. Electro-Static Sensitive Devices warning labels are on the packing.

### Recommended solder profile



Notice:

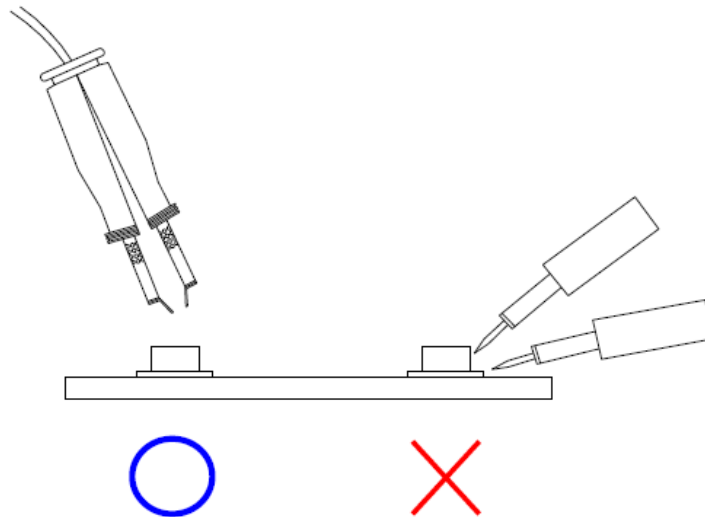
- (1) Reflow soldering should not be done more than two times.
- (2) When soldering, do not put stress on the devices during heating.
- (3) After soldering, do not warp the circuit board.

## Soldering iron

Each terminal is to go to the tip of soldering iron temperature less than 350°C for 3 seconds within once in less than the soldering iron capacity 25W. Leave two seconds and more intervals, and do soldering of each terminal. Be careful because the damage of the product is often started at the time of the hand solder.

## Repairing

Repair should not be done after the device have been soldered. When repairing is unavoidable, a double-head soldering iron should be used (as below figure). It should be confirmed beforehand whether the characteristics of the device will or will not be damaged by repairing.



## Note:

1. Above specification may be changed without notice. Everlight Americas will reserve authority on material change for above specification.
2. When using this product, please observe the absolute maximum ratings and the instructions for using outlined in these specification sheets. Everlight Americas assumes no responsibility for any damage resulting from use of the product which does not comply with the absolute maximum ratings and the instructions included in these specification sheets.
3. These specification sheets include materials protected under copyright of Everlight Americas Inc. Please don't reproduce or cause anyone to reproduce them without Everlight Americas's consent.