



Chipsmall Limited consists of a professional team with an average of over 10 year of expertise in the distribution of electronic components. Based in Hongkong, we have already established firm and mutual-benefit business relationships with customers from,Europe,America and south Asia,supplying obsolete and hard-to-find components to meet their specific needs.

With the principle of “Quality Parts,Customers Priority,Honest Operation,and Considerate Service”,our business mainly focus on the distribution of electronic components. Line cards we deal with include Microchip,ALPS,ROHM,Xilinx,Pulse,ON,Everlight and Freescale. Main products comprise IC,Modules,Potentiometer,IC Socket,Relay,Connector.Our parts cover such applications as commercial,industrial, and automotives areas.

We are looking forward to setting up business relationship with you and hope to provide you with the best service and solution. Let us make a better world for our industry!



Contact us

Tel: +86-755-8981 8866 Fax: +86-755-8427 6832

Email & Skype: info@chipsmall.com Web: www.chipsmall.com

Address: A1208, Overseas Decoration Building, #122 Zhenhua RD., Futian, Shenzhen, China



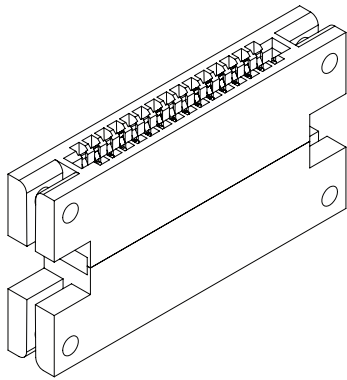


.100" [2.54 mm] Contact Centers, Dual Edge

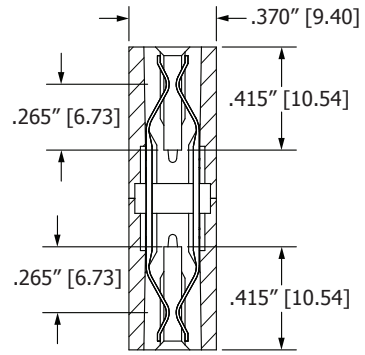
SPECIFICATIONS

- Accommodates .062" ± .008" [1.57 mm ± 0.20 mm] PC board, both sides
- PBT or PPS
- 3 Amps current rating for one contact energized
- 30 milli Ohms maximum at rated current
- UL Flammability Rating: 94V-0

Dual Card Edge

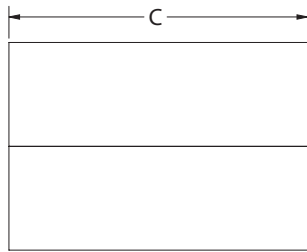


READOUT

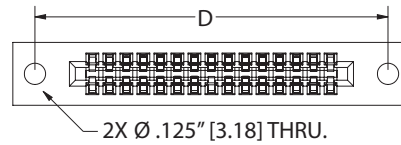


CROSS SECTION

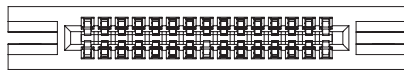
MOUNTING STYLE



NO MOUNTING EARS (N)

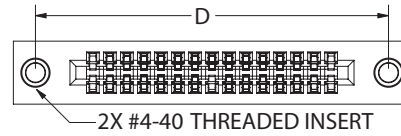
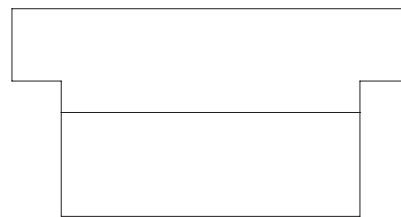


FLUSH MOUNTING (D)



4X Ø .125" [3.18] THRU.

STRADDLE MOUNT (Q)



THREADED INSERT (I)



.100" [2.54 mm] Contact Centers, Dual Edge

PART NUMBER OPTIONS

E A C 50 F SL Q - Sxxx

MATERIALS (INSULATOR/CONTACT)
 E = PBT/Phosphor Bronze (Standard)
 R = PPS/Phosphor Bronze
 H = PBT/Beryllium Copper
 A = PPS/Beryllium Copper
 Refer to Page 7 for Operating/Processing Temperatures

CONTACT FINISH - RoHS Compliant
 All platings are Lead Free and have .000050" Nickel underplate
Contact Surface
 A = .000030" Gold, both ends

CONTACT CENTERS
 C = .100" [2.54 mm]

NUMBER OF CONTACT POSITIONS
 See Chart Below (Contacts per Row)

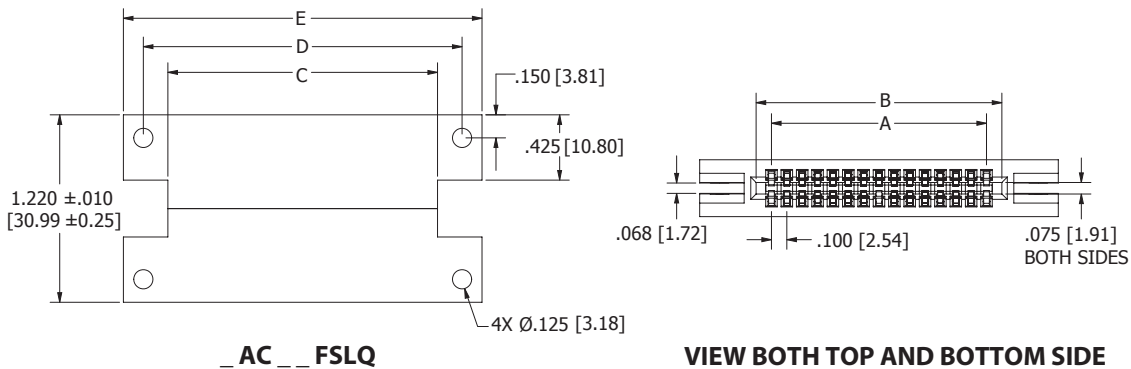
MODIFICATION CODE (Consult Factory)
 OMIT FOR STANDARD

MOUNTING STYLE (Opposite Page)
 Q = Straddle Mount
 D = Flush Mounting
 I = Threaded Insert
 N = No Mounting

TERMINATION TYPE (Opposite Page)
 SL = Single Level

READOUT (Opposite Page)
 F = Dual Edge

DIMENSIONS Dimensions in [] are in millimeters, all others are in inches.



POSITIONS/ CONTACTS	A±.008[0.20]		B±.008[0.20]		C±.015[0.38]		D±.010[0.25]		E±.020[0.25]	
	in	mm	in	mm	in	mm	in	mm	in	mm
05/10	0.400	10.16	0.600	15.24	0.756	19.20	1.075	27.31	1.335	33.91
06/12	0.500	12.70	0.700	17.78	0.856	21.74	1.175	29.85	1.435	36.45
07/14	0.600	15.24	0.800	20.32	0.956	24.28	1.275	32.39	1.535	38.99
10/20	0.900	22.86	1.100	27.94	1.256	31.90	1.575	40.01	1.835	46.61
12/24	1.100	27.94	1.300	33.02	1.456	36.98	1.775	45.09	2.035	51.69
13/26	1.200	30.48	1.400	35.56	1.556	39.52	1.875	47.63	2.135	54.23
15/30	1.400	35.56	1.600	40.64	1.756	44.60	2.075	52.71	2.335	59.31
16/32	1.500	38.10	1.700	43.18	1.856	47.14	2.175	55.25	2.435	61.85
17/34	1.600	40.64	1.800	45.72	1.956	49.68	2.275	57.79	2.535	64.39
18/36	1.700	43.18	1.900	48.26	2.056	52.22	2.375	60.33	2.635	66.93
20/40	1.900	48.26	2.100	53.34	2.256	57.30	2.575	65.41	2.835	72.01
22/44	2.100	53.34	2.300	58.42	2.456	62.38	2.775	70.49	3.035	77.09
23/46	2.200	55.88	2.400	60.96	2.556	64.92	2.875	73.03	3.135	79.63
24/48	2.300	58.42	2.500	63.50	2.656	67.46	2.975	75.57	3.235	82.17
25/50	2.400	60.96	2.600	66.04	2.756	70.00	3.075	78.11	3.335	84.71
26/52	2.500	63.50	2.700	68.58	2.856	72.54	3.175	80.65	3.435	87.25
28/56	2.700	68.58	2.900	73.66	3.056	77.62	3.375	85.73	3.635	92.33
30/60	2.900	73.66	3.100	78.74	3.256	82.70	3.575	90.81	3.835	97.41
31/62	3.000	76.20	3.200	81.28	3.356	85.24	3.675	93.35	3.935	99.95
34/68	3.300	83.82	3.500	88.90	3.656	92.86	3.975	100.97	4.235	107.57
35/70	3.400	86.36	3.600	91.44	3.756	95.40	4.075	103.51	4.335	110.11
36/72	3.500	88.90	3.700	93.98	3.856	97.94	4.175	106.05	4.435	112.65
40/80	3.900	99.06	4.100	104.14	4.256	108.10	4.575	116.21	4.835	122.81
43/86	4.200	106.68	4.400	111.76	4.556	115.72	4.875	123.83	5.135	130.43
44/88	4.300	109.22	4.500	114.30	4.656	118.26	4.975	126.37	5.235	132.97
50/100	4.900	124.46	5.100	129.54	5.256	133.50	5.575	141.61	5.835	148.21
60/120	5.900	149.86	6.100	154.94	6.256	158.90	'N' MOUNTING ONLY			