



Chipsmall Limited consists of a professional team with an average of over 10 year of expertise in the distribution of electronic components. Based in Hongkong, we have already established firm and mutual-benefit business relationships with customers from,Europe,America and south Asia,supplying obsolete and hard-to-find components to meet their specific needs.

With the principle of “Quality Parts,Customers Priority,Honest Operation,and Considerate Service”,our business mainly focus on the distribution of electronic components. Line cards we deal with include Microchip,ALPS,ROHM,Xilinx,Pulse,ON,Everlight and Freescale. Main products comprise IC,Modules,Potentiometer,IC Socket,Relay,Connector.Our parts cover such applications as commercial,industrial, and automotives areas.

We are looking forward to setting up business relationship with you and hope to provide you with the best service and solution. Let us make a better world for our industry!



## Contact us

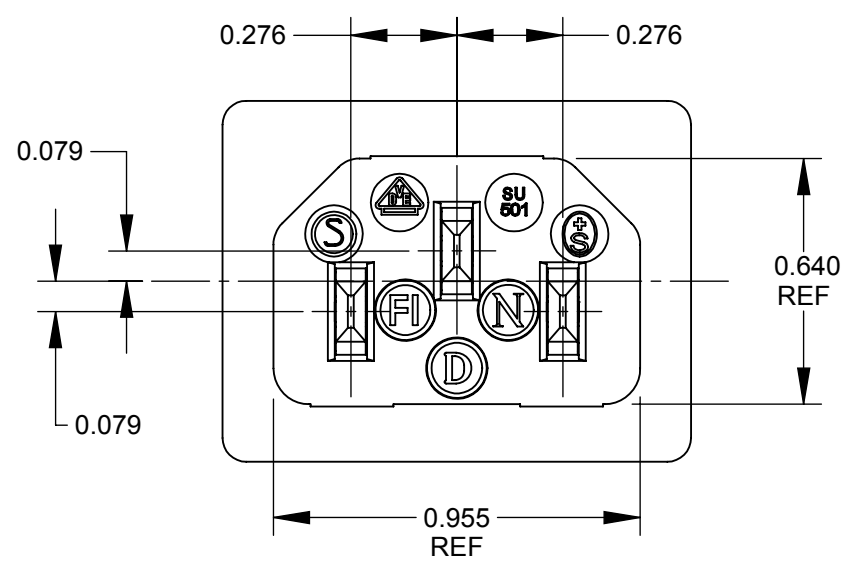
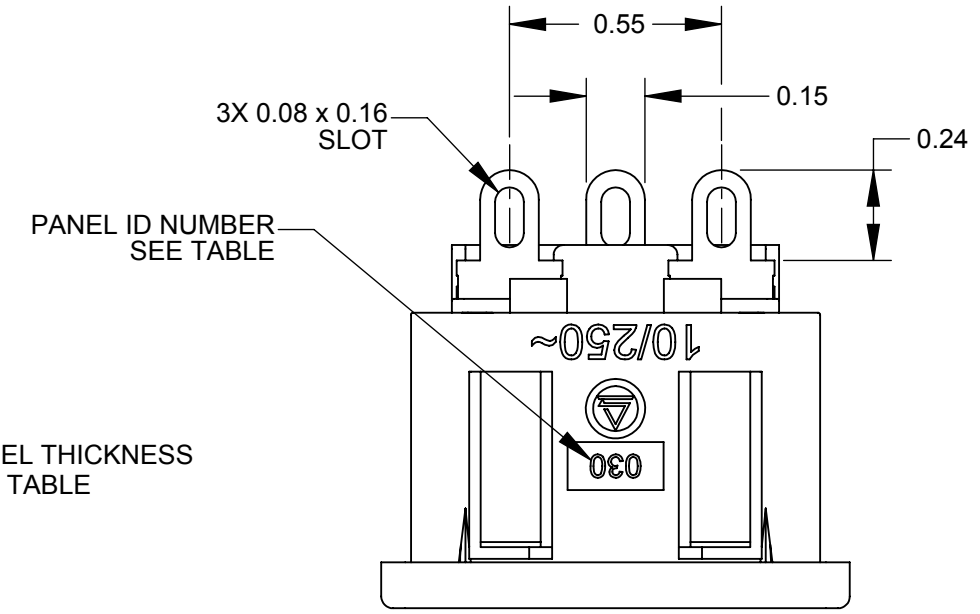
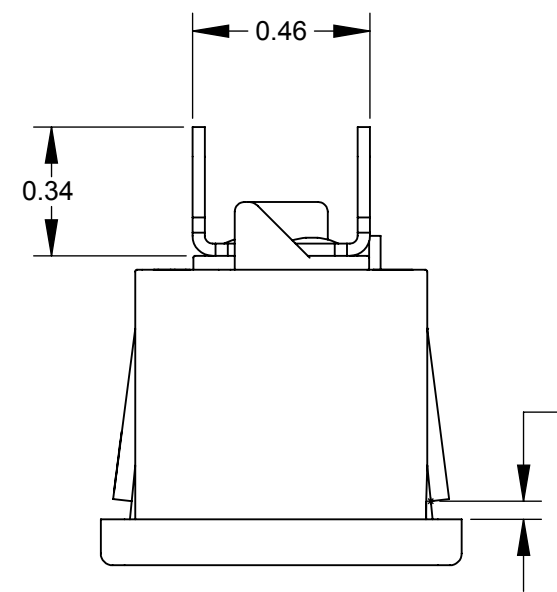
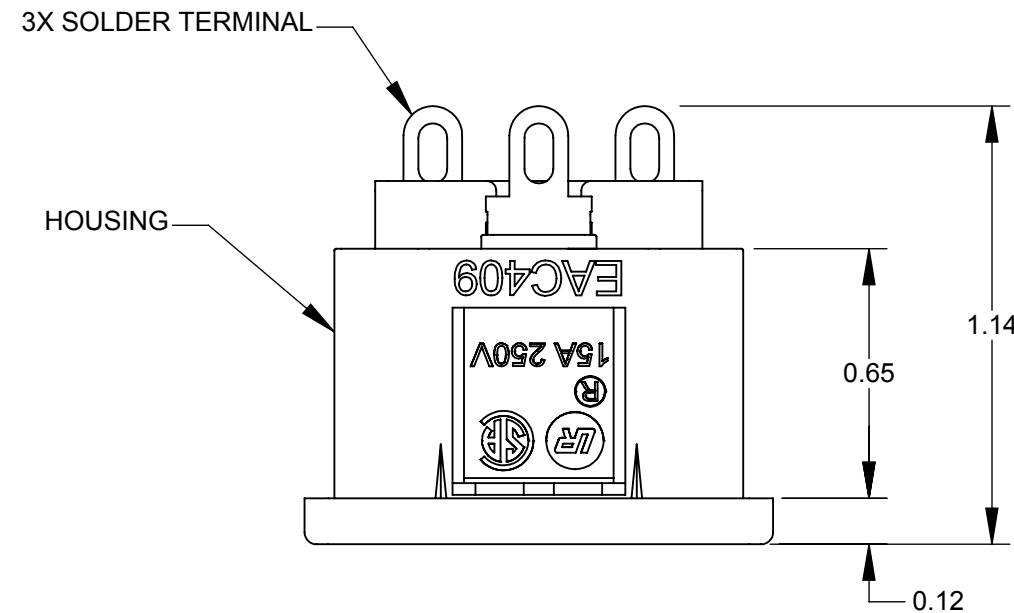
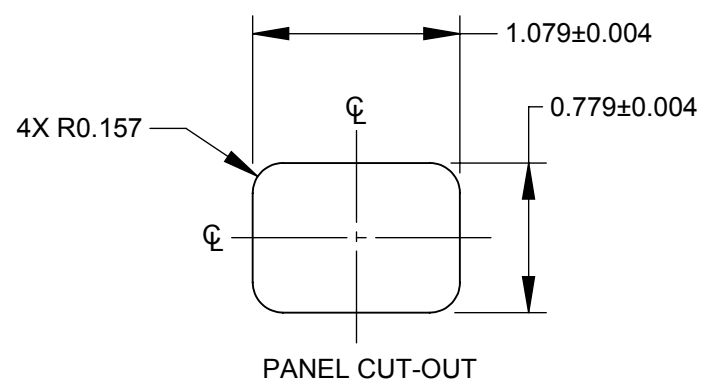
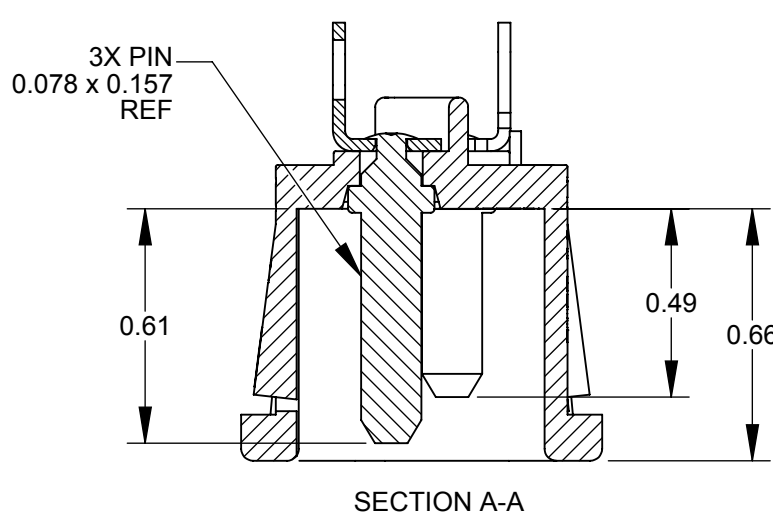
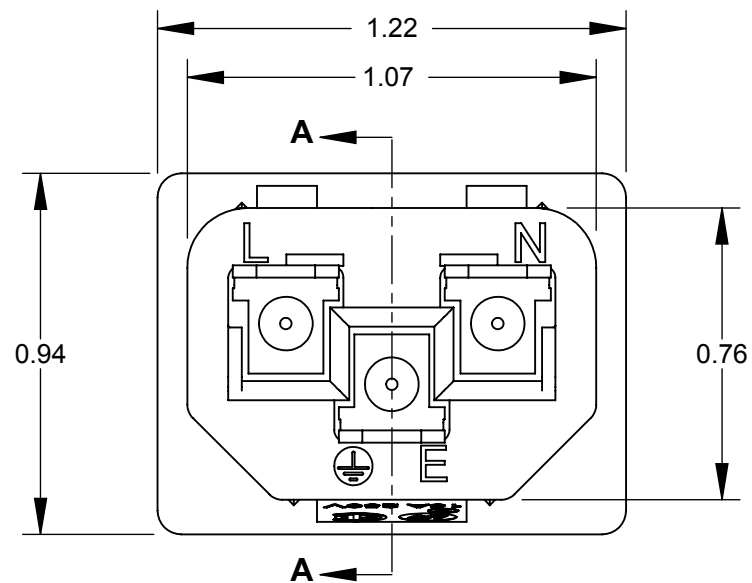
Tel: +86-755-8981 8866 Fax: +86-755-8427 6832

Email & Skype: info@chipsmall.com Web: www.chipsmall.com

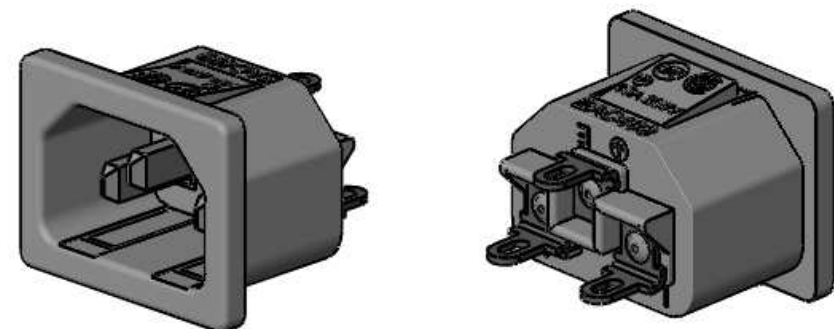
Address: A1208, Overseas Decoration Building, #122 Zhenhua RD., Futian, Shenzhen, China



| PART NUMBER | PANEL ID NUMBER | PANEL THICKNESS |
|-------------|-----------------|-----------------|
| EAC409030   | 030             | 0.030 - 0.040   |
| EAC409040   | 040             | 0.040 - 0.050   |
| EAC409050   | 050             | 0.050 - 0.060   |
| EAC409060   | 060             | 0.060 - 0.070   |



- NOTES:
- AGENCY APPROVAL & RATING:  
UL & CSA: 15A 250V  
VDE, SEMKO, NEMKO, DEMKO  
SETI AND SEV: 10A, 250V
  - MEETS IEC 60320 SPECIFICATION
  - MATERIALS:  
HOUSING: BLACK POLYESTER  
TERMINALS: TIN PLATED COPPER ALLOY  
CONTACT PINS: TIN PLATED COPPER ALLOY



**CUSTOMER DRAWING**

| REV | ECO NUMBER | DATE     | BY | APVD |
|-----|------------|----------|----|------|
| M   | 26912      | 02/16/12 | BL | TJK  |
| L   | 24129      | 03/27/02 | BL | TJK  |

REVISIONS

UNLESS OTHERWISE SPECIFIED

1. ALL DIMENSIONS IN INCHES

- TWO PLACE DECIMALS ±0.02

- THREE PLACE DECIMALS ±0.005

**DO NOT SCALE DRAWING**

|  |       |      |          |          |               |  |  |  |  |
|--|-------|------|----------|----------|---------------|--|--|--|--|
| THIS DRAWING DESCRIBES A DESIGN CONSIDERED PROPRIETARY IN NATURE, DEVELOPED AND MANUFACTURED BY SWITCHCRAFT INC. AND IS RELEASED ON A CONFIDENTIAL BASIS FOR IDENTIFICATION PURPOSES ONLY. |       |      |          |          |               |  |  |  |  |
| SIZE   | WIDTH | MULT | LBS/M    | TEMPER   |               |  |  |  |  |
| FINISH   |       |      |          |          | MATERIAL      |  |  |  |  |
| SPEC No.   |       |      |          |          | SPEC No.      |  |  |  |  |
| FIRST USED ON  |       |      |          |          | SCALE         |  |  |  |  |
|  |       |      |          |          | 2:1           |  |  |  |  |
| DATE DRAWN   | BY    | CHKD | APVD     |          |               |  |  |  |  |
| 06/04/84   | THS   | AM   | RV       |          |               |  |  |  |  |
|  |       |      | 02/23/87 | 02/23/87 |               |  |  |  |  |
| NAME   |       |      |          |          | PART No.      |  |  |  |  |
| SNAP-IN MALE   |       |      |          |          | EAC409 SERIES |  |  |  |  |
| AC RECEPTACLE SOLDER TERMINALS   |       |      |          |          | REV           |  |  |  |  |
|  |       |      |          |          | M             |  |  |  |  |