



Chipsmall Limited consists of a professional team with an average of over 10 year of expertise in the distribution of electronic components. Based in Hongkong, we have already established firm and mutual-benefit business relationships with customers from,Europe,America and south Asia,supplying obsolete and hard-to-find components to meet their specific needs.

With the principle of “Quality Parts,Customers Priority,Honest Operation,and Considerate Service”,our business mainly focus on the distribution of electronic components. Line cards we deal with include Microchip,ALPS,ROHM,Xilinx,Pulse,ON,Everlight and Freescale. Main products comprise IC,Modules,Potentiometer,IC Socket,Relay,Connector.Our parts cover such applications as commercial,industrial, and automotives areas.

We are looking forward to setting up business relationship with you and hope to provide you with the best service and solution. Let us make a better world for our industry!



Contact us

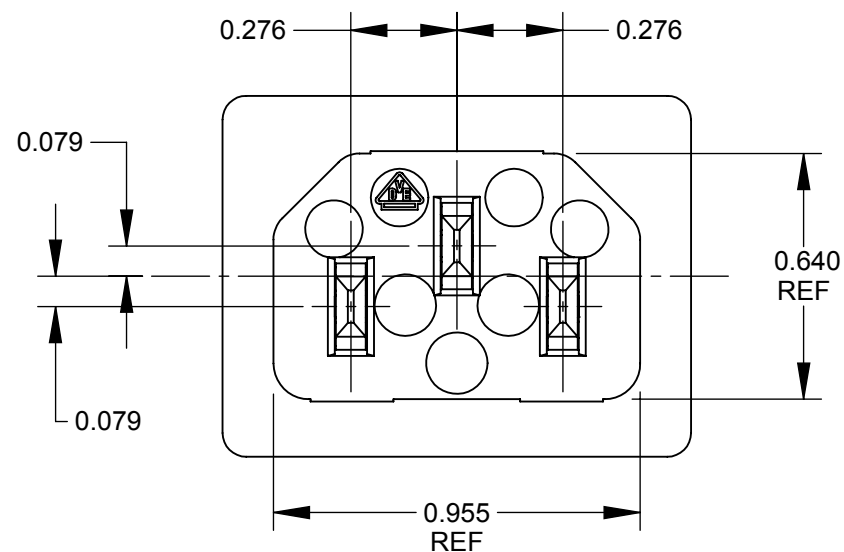
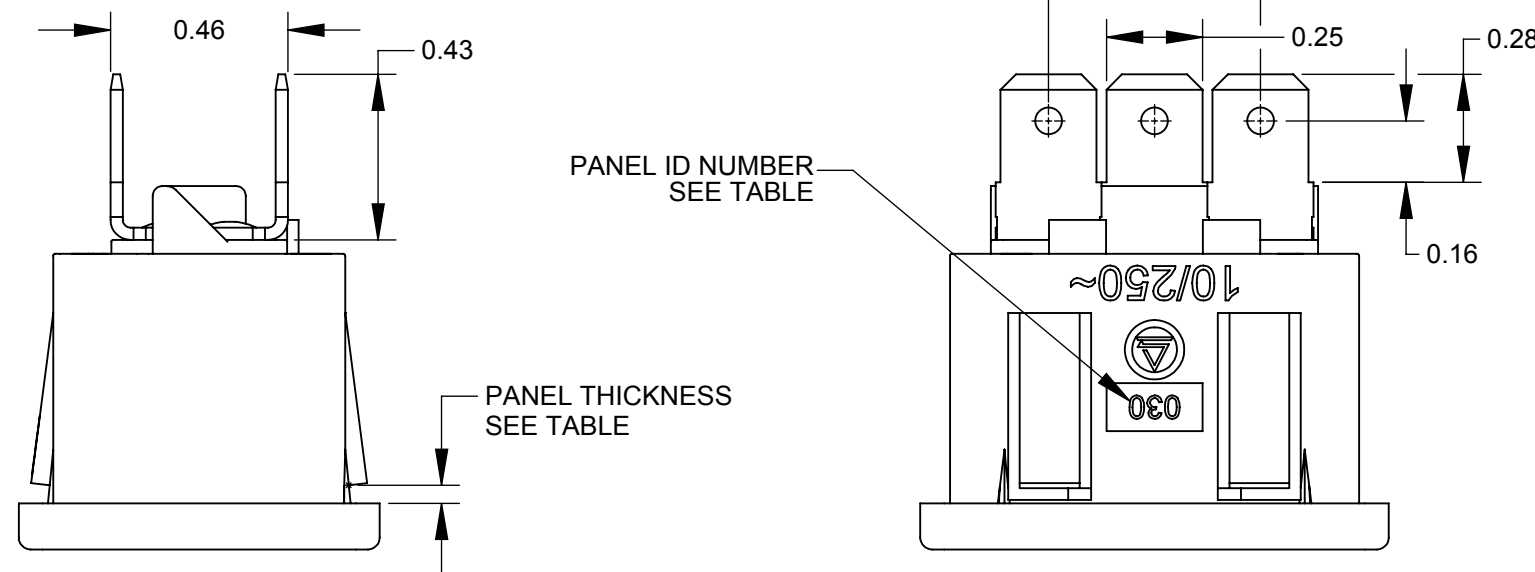
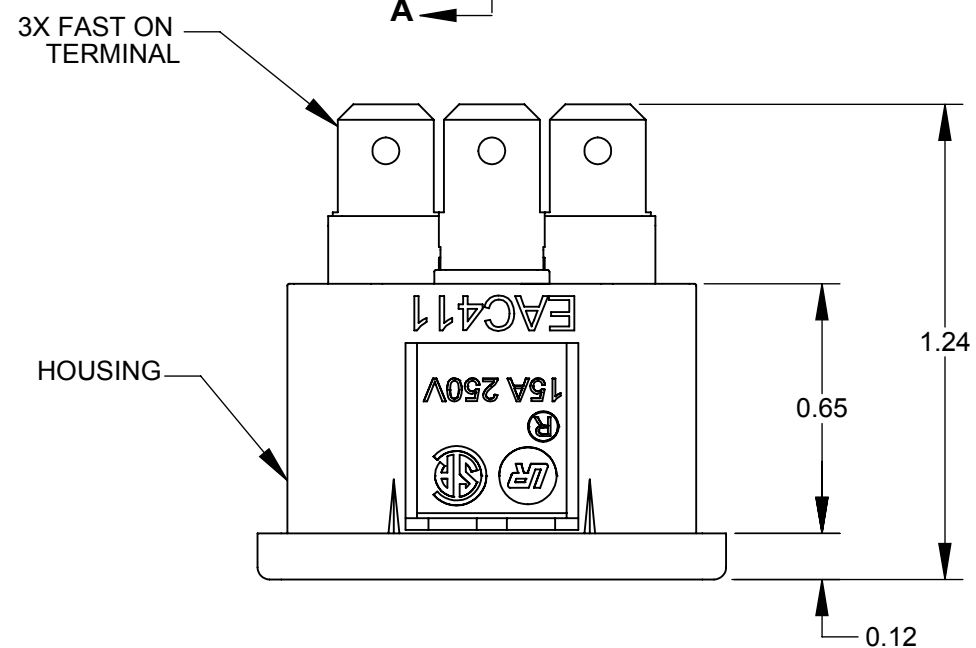
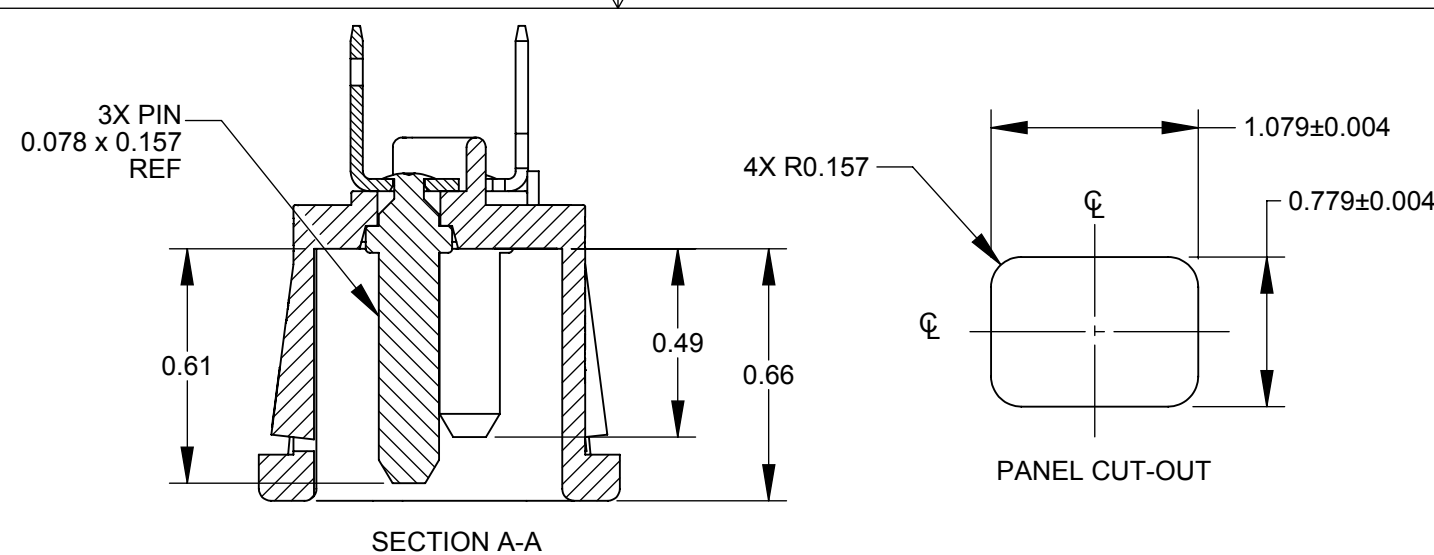
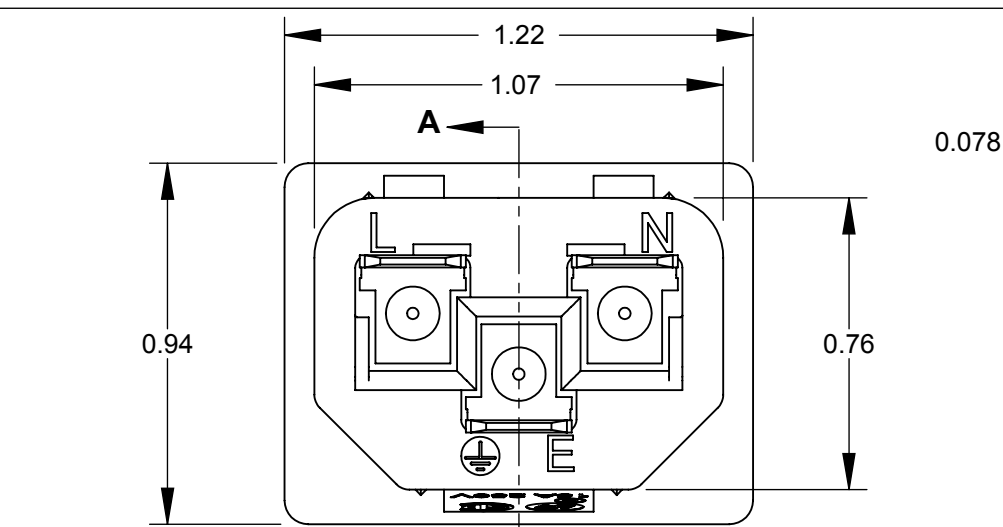
Tel: +86-755-8981 8866 Fax: +86-755-8427 6832

Email & Skype: info@chipsmall.com Web: www.chipsmall.com

Address: A1208, Overseas Decoration Building, #122 Zhenhua RD., Futian, Shenzhen, China

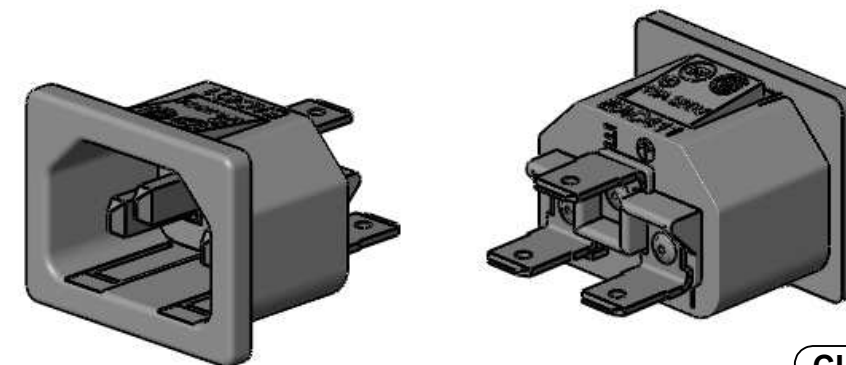


PART NUMBER	PANEL ID NUMBER	PANEL THICKNESS
EAC411030	030	0.030 - 0.040
EAC411040	040	0.040 - 0.050
EAC411050	050	0.050 - 0.060
EAC411060	060	0.060 - 0.070



NOTES:

- AGENCY APPROVAL & RATING:
UL & CSA: 15A 250V
VDE: 10A, 250V
- MEETS IEC 60320 SPECIFICATION
- MATERIALS:
HOUSING: BLACK POLYESTER
TERMINALS: TIN PLATED COPPER ALLOY
CONTACT PINS: TIN PLATED COPPER ALLOY



CUSTOMER DRAWING

REVISIONS					UNLESS OTHERWISE SPECIFIED 1. ALL DIMENSIONS IN INCHES - TWO PLACE DECIMALS ±0.02 - THREE PLACE DECIMALS ±0.005	THIS DRAWING DESCRIBES A DESIGN CONSIDERED PROPRIETARY IN NATURE, DEVELOPED AND MANUFACTURED BY SWITCHCRAFT INC. AND IS RELEASED ON A CONFIDENTIAL BASIS FOR IDENTIFICATION PURPOSES ONLY.						
REV	ECO NUMBER	DATE	BY	APVD		SIZE	WIDTH	MULT	LBS/M	TEMPER		
L	26912	02/16/12	BL	TJK	DO NOT SCALE DRAWING	FINISH SPEC No.				MATERIAL SPEC No.		
K	24129	03/27/02	BL	TJK		FIRST USED ON				SCALE 2:1		
					DATE DRAWN 06/04/84				BY THS	CHKD AM	APVD RV	
					NAME SNAP-IN MALE AC RECEPTACLE FAST ON TERMINALS				PART No. EAC411 SERIES	REV L		