



Chipsmall Limited consists of a professional team with an average of over 10 year of expertise in the distribution of electronic components. Based in Hongkong, we have already established firm and mutual-benefit business relationships with customers from,Europe,America and south Asia,supplying obsolete and hard-to-find components to meet their specific needs.

With the principle of "Quality Parts,Customers Priority,Honest Operation,and Considerate Service",our business mainly focus on the distribution of electronic components. Line cards we deal with include Microchip,ALPS,ROHM,Xilinx,Pulse,ON,Everlight and Freescale. Main products comprise IC,Modules,Potentiometer,IC Socket,Relay,Connector.Our parts cover such applications as commercial,industrial, and automotives areas.

We are looking forward to setting up business relationship with you and hope to provide you with the best service and solution. Let us make a better world for our industry!



Contact us

Tel: +86-755-8981 8866 Fax: +86-755-8427 6832

Email & Skype: info@chipsmall.com Web: www.chipsmall.com

Address: A1208, Overseas Decoration Building, #122 Zhenhua RD., Futian, Shenzhen, China



4.8mm Semi-Lens Silicon PIN Photodiode EAPDLP04SCAA3



Features

- Fast response times
- High photo sensitivity
- Small junction capacitance
- Pb free
- The product itself will remain within RoHS compliant version.

Description

- EAPDLP04SCAA3 is a high speed and sensitive PIN photodiode in a cylindrical side view plastic package. Due to its water clear epoxy the device is sensitive to visible and infrared radiation.

Applications

- High speed photo detector
- Camera
- Optoelectronic switch
- VCRs , Video camera

Device Selection Guide

| | |
|----------------|-------------|
| Chip Materials | Lens Color |
| GaAIAs | Water clear |

Absolute Maximum Ratings (Ta=25°C)

| Parameter | Symbol | Rating | Unit |
|---------------------------|------------------|-----------|------|
| Reverse Voltage | V _R | 32 | mA |
| Power Dissipation | P _d | 150 | mW |
| Operating Temperature | T _{opr} | -25 ~ +85 | °C |
| Storage Temperature | T _{stg} | -40 ~ +85 | °C |
| Soldering Temperature(*1) | T _{sol} | 260 | °C |

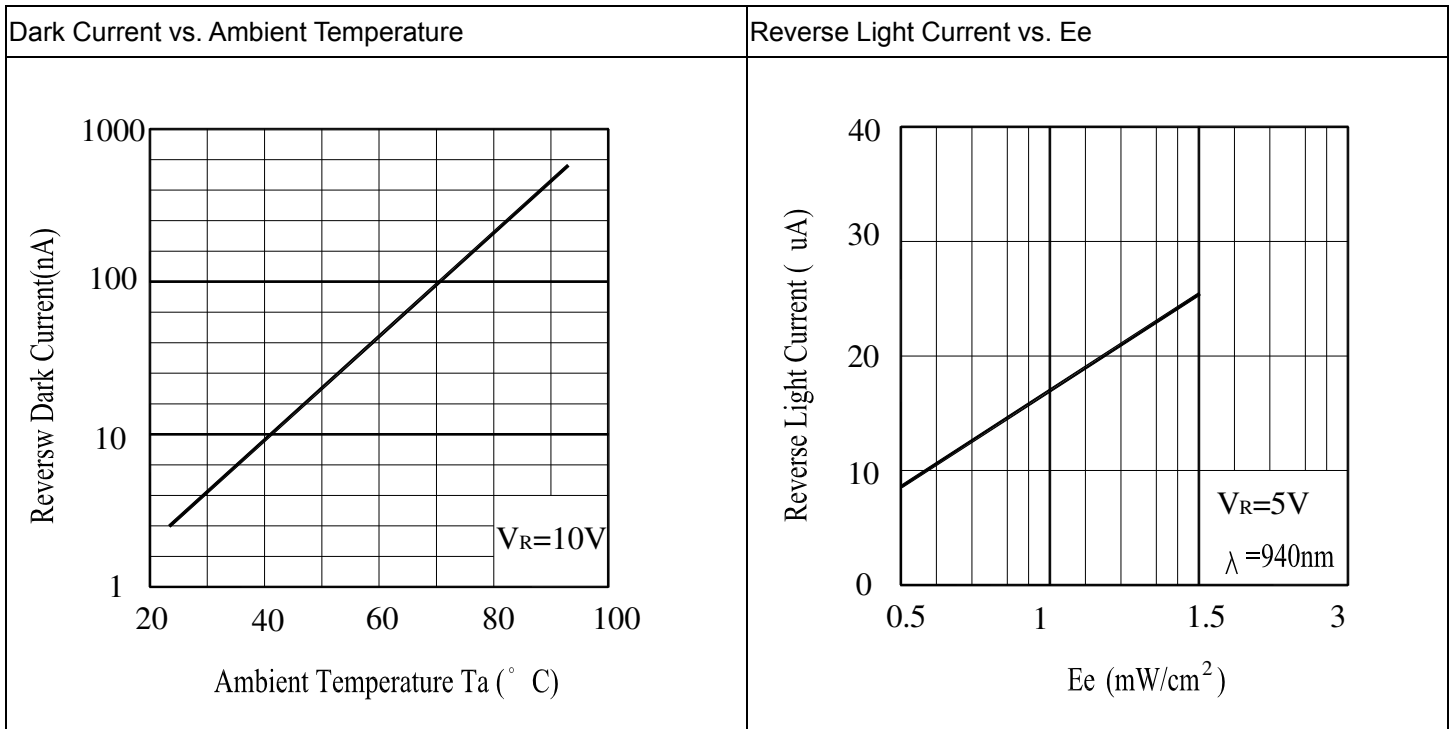
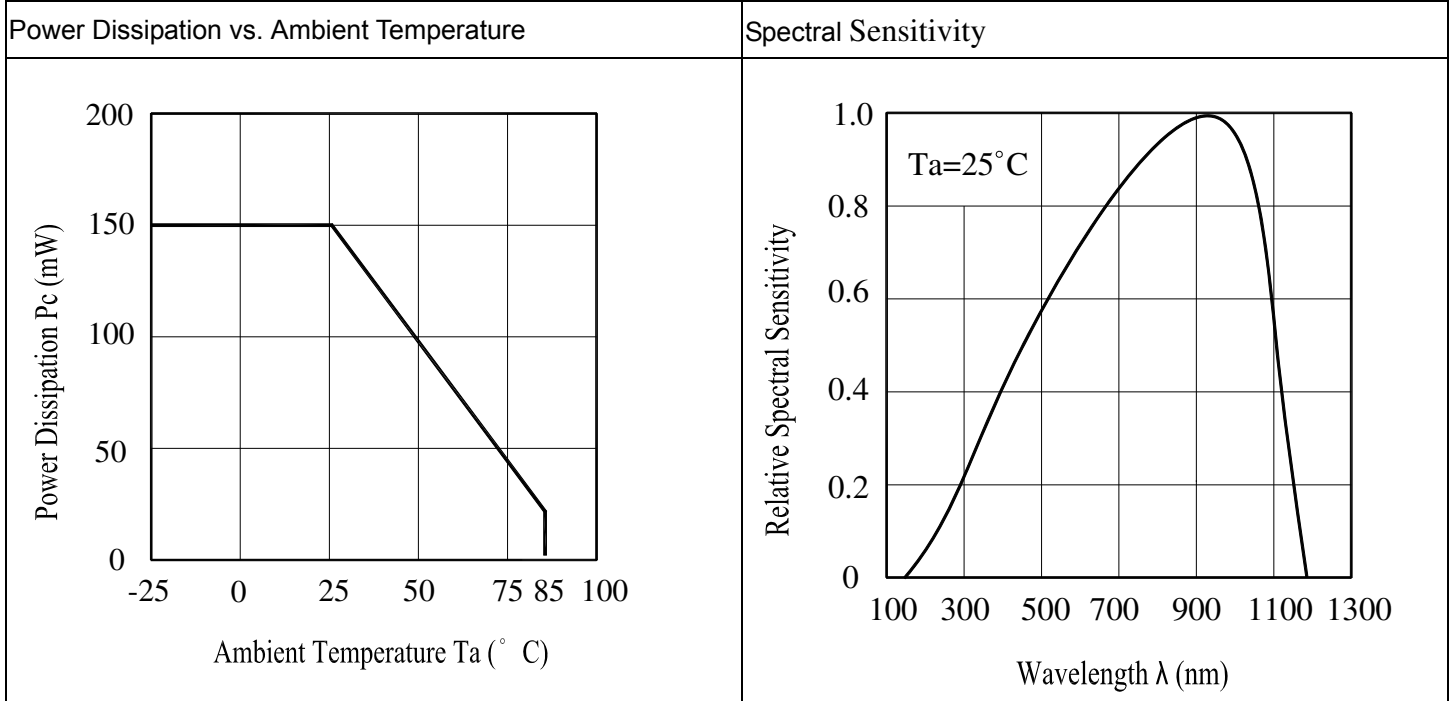
Notes: *1: Soldering time \leq 5 seconds.

:

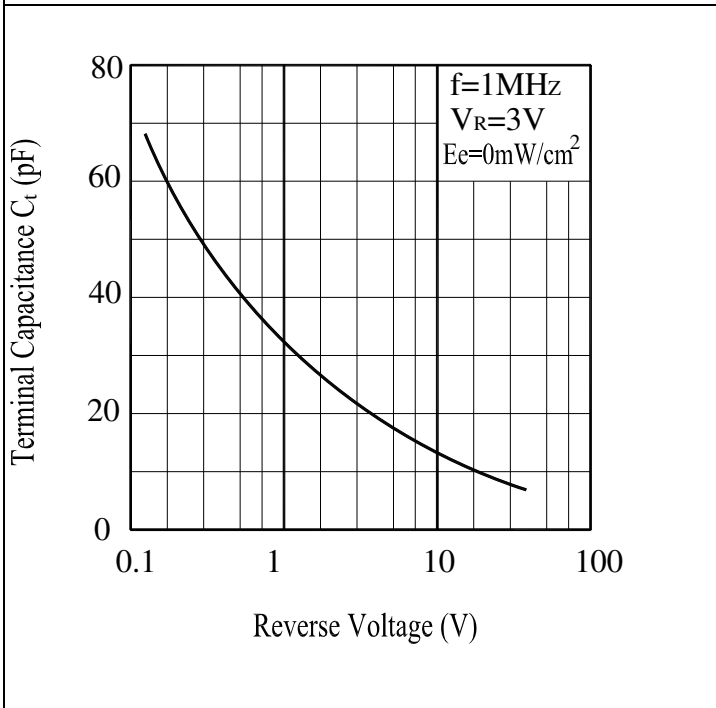
Electro-Optical Characteristics (Ta=25°C)

| Parameter | Symbol | Min. | Typ. | Max. | Unit | Condition |
|--------------------------------|-----------------|-------|-------|-------|------|-------------------------------------------|
| Rang of Spectral Bandwidth | $\lambda_{0.5}$ | 400 | ----- | 1100 | nm | ----- |
| Wavelength of Peak Sensitivity | λ_p | ----- | 940 | ----- | nm | ----- |
| Open-Circuit Voltage | V_{OC} | ----- | 0.35 | ----- | V | Ee=5m W/cm2 $\lambda_p=940nm$ |
| Short- Circuit Current | I_{SC} | ----- | 18 | ----- | uA | Ee=1m W/cm2 $\lambda_p=940nm$ |
| Reverse Light Current | I_L | 10.2 | 18 | ----- | uA | Ee=1m W/cm2 $\lambda_p=940nm$ VR=5V |
| Dark Current | I_d | ---- | 5 | 30 | nA | Ee=0m W/cm2 VR=10V |
| Reverse Breakdown | BVR | 32 | 170 | ----- | V | Ee=0m W/cm2 IR=100μA |
| Total Capacitance | C_t | ---- | 25 | ---- | pF | Ee=0m W/cm2 VR=3V f=1MHZ |
| Rise/Fall Time | tr/tf | ---- | 50/50 | ---- | nS | VR=10V RL=1KΩ |

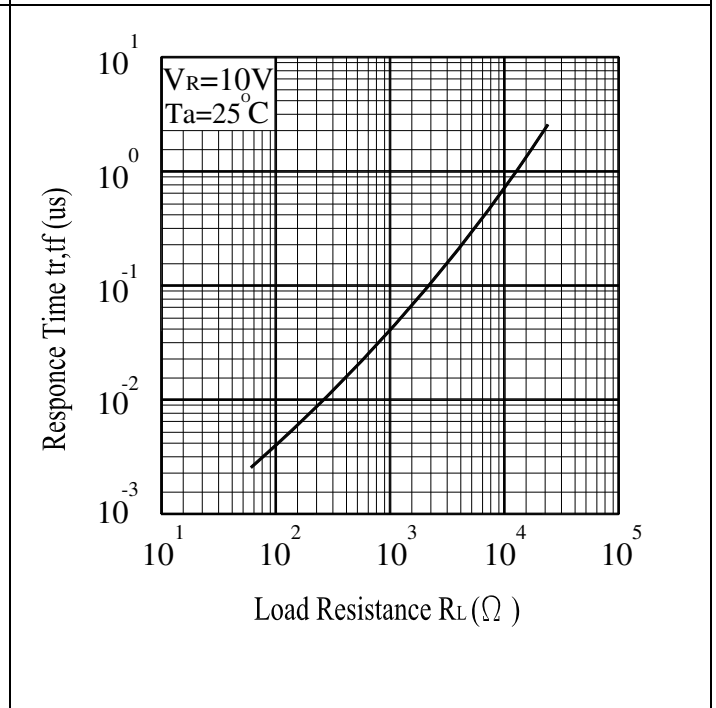
Typical Electro-Optical Characteristics Curves



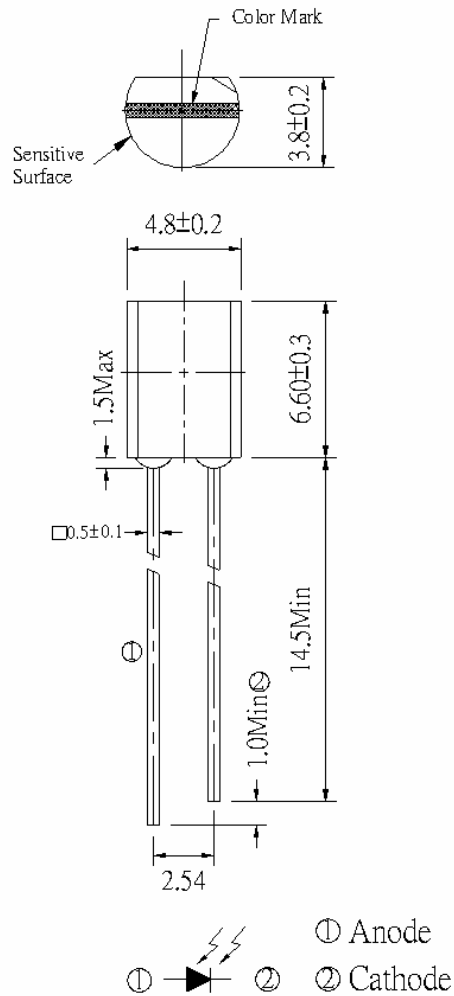
Terminal Capacitance vs. Reverse Voltage



Response Time vs. Load Resistance

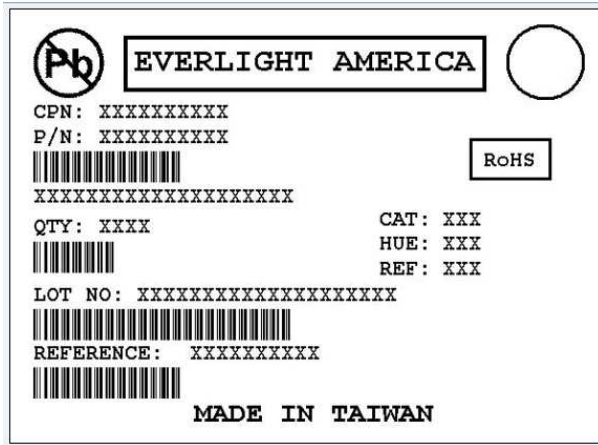


Package Dimension



Note: Tolerances unless dimensions ± 0.25 mm

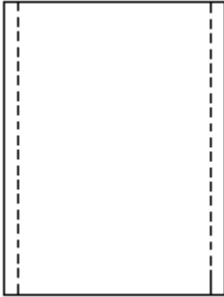
Label Explanation



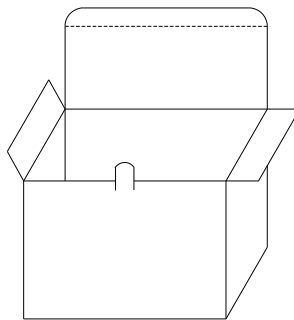
- CPN: Customer's Product Number
- P/N: Product Number
- QTY: Packing Quantity
- CAT: Luminous Intensity Rank
- HUE: Dom. Wavelength Rank
- REF: Forward Voltage Rank
- LOT No: Lot Number
- Reference: Identify Label Number

Packing Specification

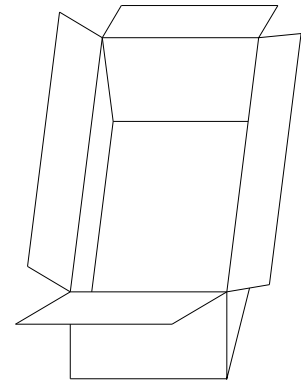
■ Anti-electrostatic bag



■ Inner Carton



■ Outside Carton



■ Packing Quantity

1. 500 PCS/1 Bag, 5 Bags/1 Inner Carton
2. 10 Inner Cartons/1 Outside Carton

Notes

1. Above specification may be changed without notice. Everlight Americas will reserve authority on material change for above specification.
2. When using this product, please observe the absolute maximum ratings and the instructions for using outlined in these specification sheets. Everlight Americas assumes no responsibility for any damage resulting from use of the product which does not comply with the absolute maximum ratings and the instructions included in these specification sheets.
3. These specification sheets include materials protected under copyright of Everlight Americas corporation. Please don't reproduce or cause anyone to reproduce them without Everlight Americas's consent.