



Chipsmall Limited consists of a professional team with an average of over 10 year of expertise in the distribution of electronic components. Based in Hongkong, we have already established firm and mutual-benefit business relationships with customers from,Europe,America and south Asia,supplying obsolete and hard-to-find components to meet their specific needs.

With the principle of “Quality Parts,Customers Priority,Honest Operation,and Considerate Service”,our business mainly focus on the distribution of electronic components. Line cards we deal with include Microchip,ALPS,ROHM,Xilinx,Pulse,ON,Everlight and Freescale. Main products comprise IC,Modules,Potentiometer,IC Socket,Relay,Connector.Our parts cover such applications as commercial,industrial, and automotives areas.

We are looking forward to setting up business relationship with you and hope to provide you with the best service and solution. Let us make a better world for our industry!



Contact us

Tel: +86-755-8981 8866 Fax: +86-755-8427 6832

Email & Skype: info@chipsmall.com Web: www.chipsmall.com

Address: A1208, Overseas Decoration Building, #122 Zhenhua RD., Futian, Shenzhen, China



5mm Silicon PIN Photodiode , T-1 3/4 EAPDLP05RDDA0



Features

- Fast response time
- High photo sensitivity
- Small junction capacitance
- Pb free
- This product itself will remain within RoHS compliant version.

Description

EAPDLP05RDDA0 is a high speed and high sensitive PIN photodiode in a standard 5 ϕ plastic package. Due to its black epoxy the device is sensitive to visible and infrared radiation.

Applications

- High speed photo detector
- Security system
- Camera

Device Selection Guide

Chip Materials	Lens Color
Silicon	Black

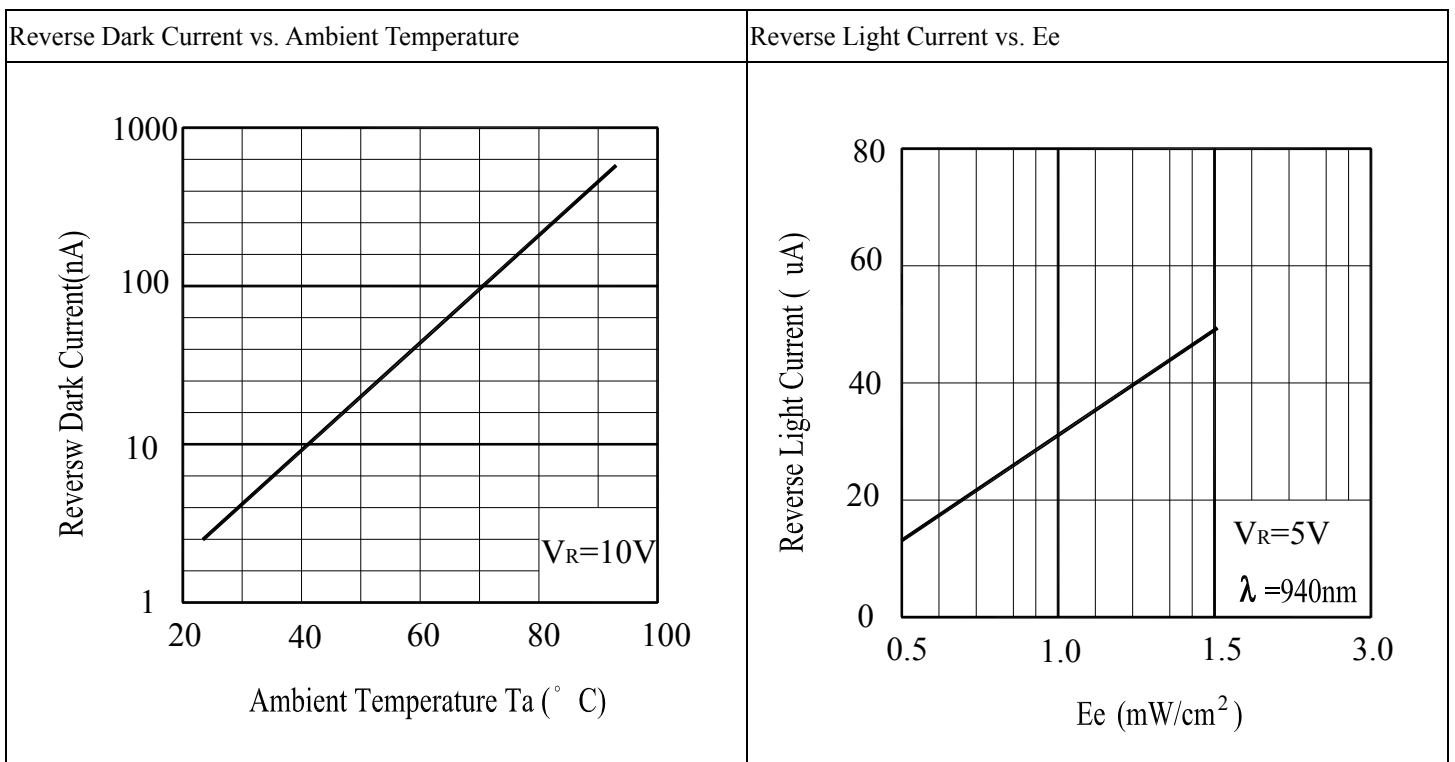
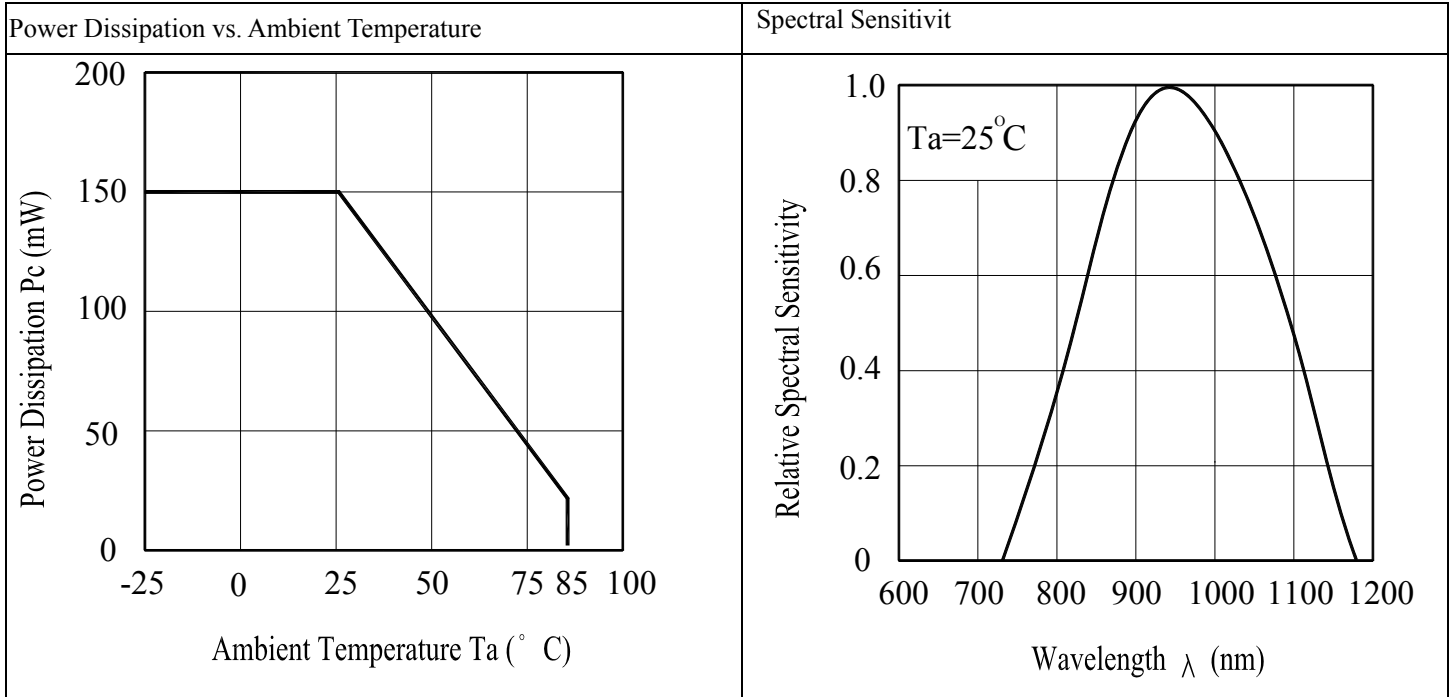
Absolute Maximum Ratings (Ta=25°C)

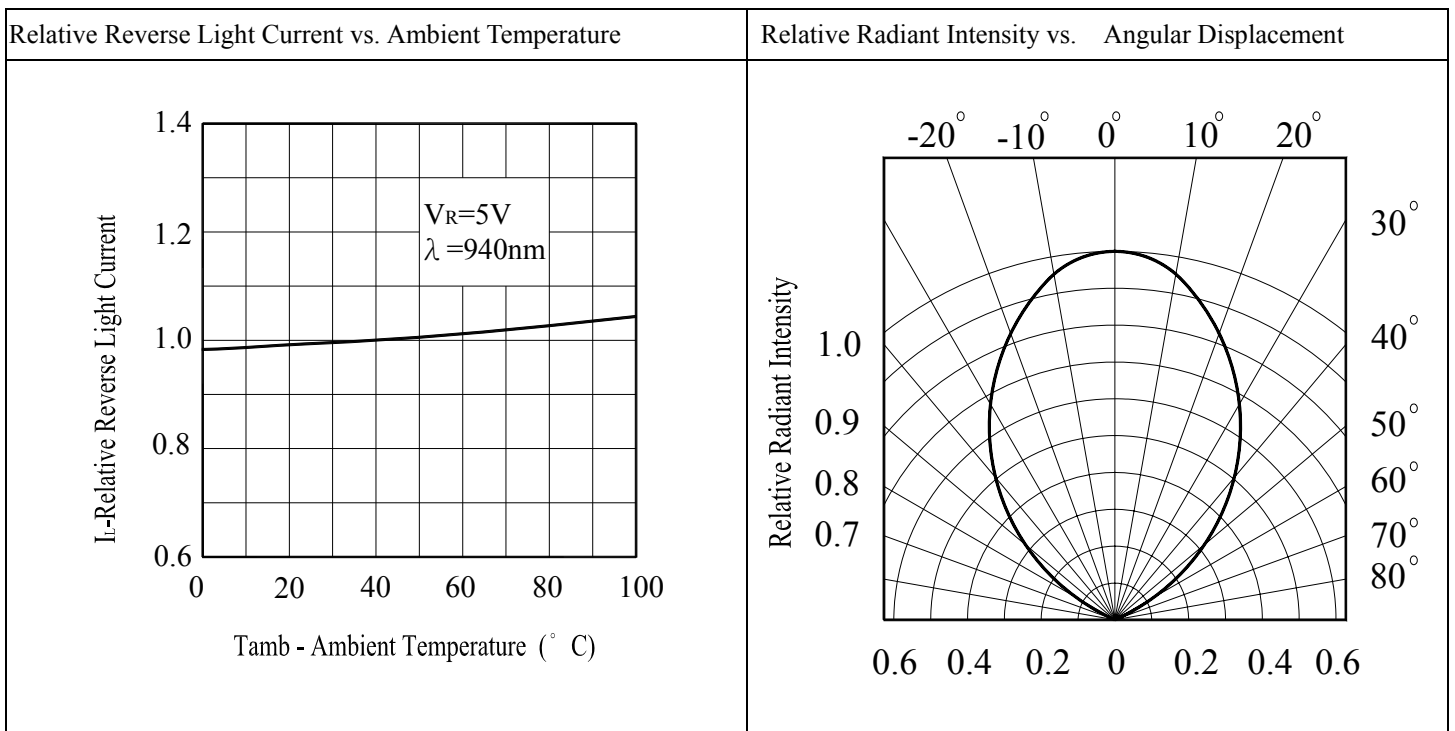
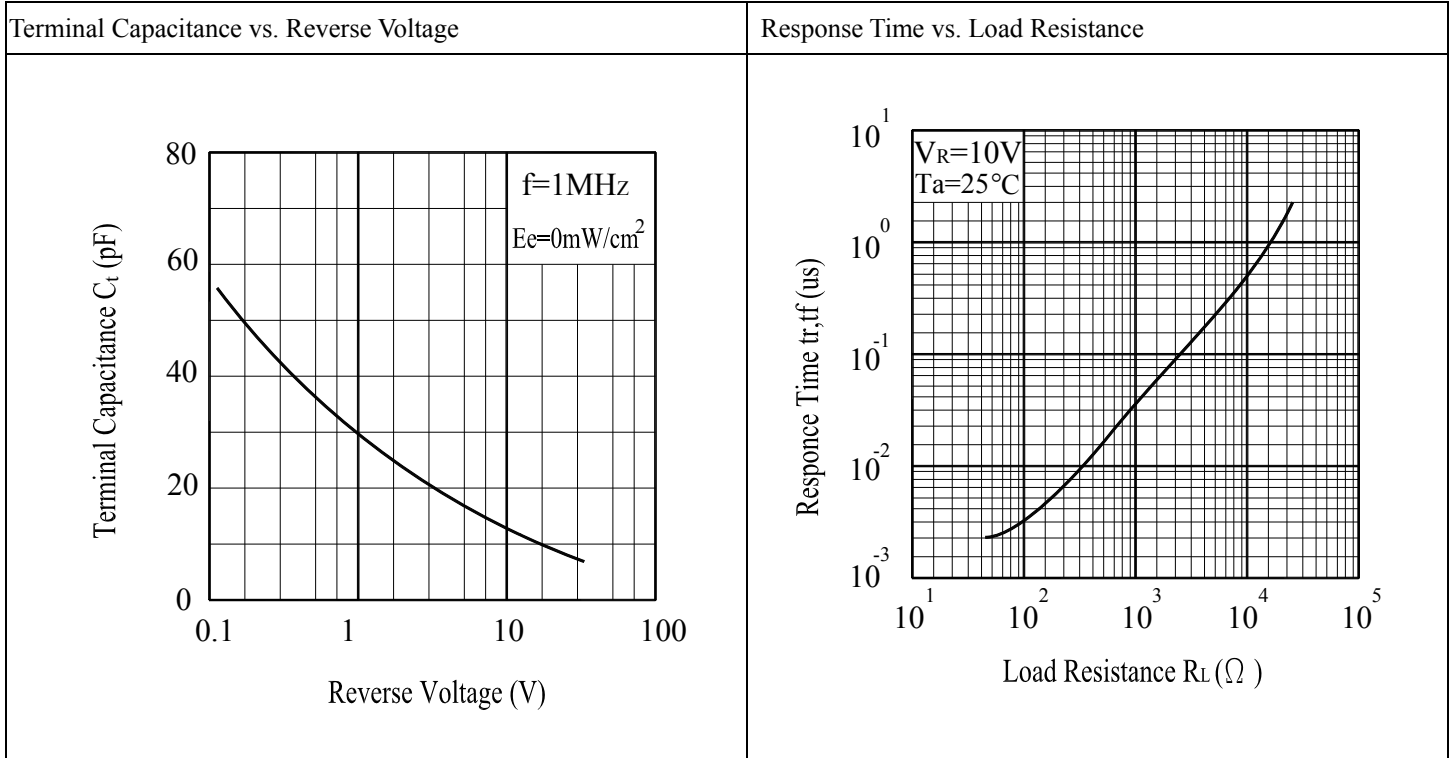
Parameter	Symbol	Rating	Unit
Reverse Voltage	VR	32	V
Power Dissipation	Pd	150	mW
Lead Soldering Temperature	Tsol	260	°C
Operating Temperature	Topr	-40 ~ +85	°C
Storage Temperature	Tstg	-40 ~ +100	°C

Electro-Optical Characteristics (Ta=25°C)

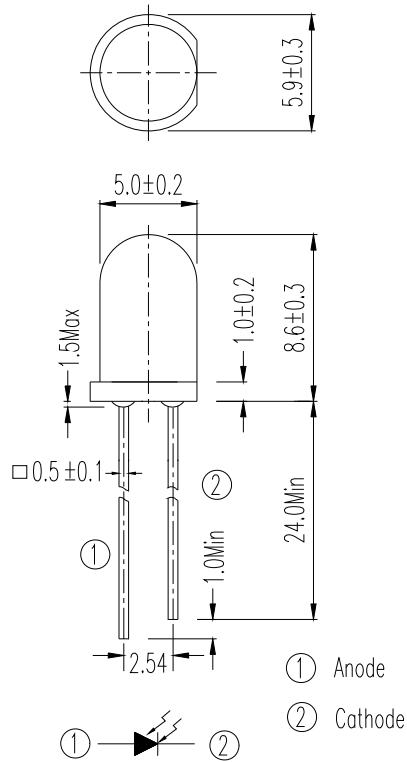
Parameter	Symbol	Min.	Typ.	Max.	Unit	Condition
Range Of Spectral Bandwidth	$\lambda_{0.5}$	840	---	1100	nm	-----
Wavelength Of Peak Sensitivity	λ_p	---	940	---	nm	-----
Open-Circuit Voltage	V_{OC}	---	0.39	---	V	$E_e=5m W/cm^2$ $\lambda_p=940nm$
Short- Circuit Current	I_{SC}	---	35	---	μA	$E_e=1m W/cm^2$ $\lambda_p=940nm$
Reverse Light Current	I_L	25	35	---		$E_e=1m W/cm^2$ $\lambda_p=940nm$ $V_R=5V$
Reverse Dark Current	I_D	---	5	30	nA	$E_e=0m W/cm^2$ $V_R=10V$
Reverse Breakdown Voltage	V_{BR}	32	170	---	V	$E_e=0m W/cm^2$ $I_R=100 \mu A$
Total Capacitance	C_t	---	18	---	pF	$E_e=0m W/cm^2$ $V_R=5V$ $f=1MHZ$
Rise Time/ Fall Time	t_r / t_f	---	45/45	---	nS	$V_R=10V$ $R_L=1K \Omega$
View Angle	201/2	--	80	--	deg	$I_f=20mA$

Typical Electro-Optical Characteristics Curves



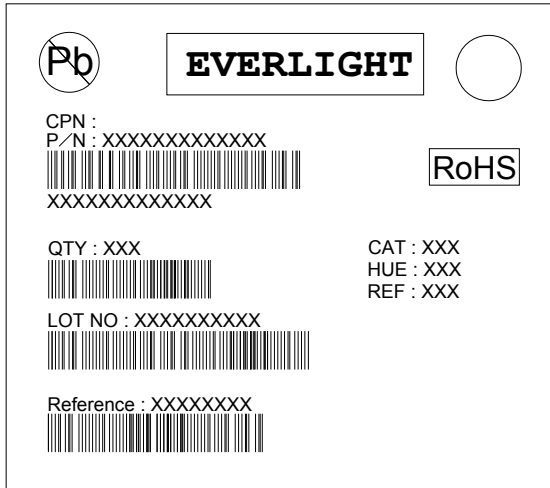


Package Dimension



Note: Tolerances unless dimensions ± 0.25 mm

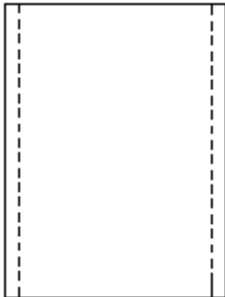
Label Form Specification



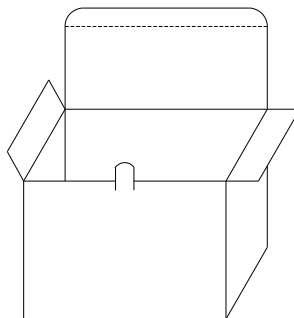
- CPN: Customer's Product Number
- P/N: Product Number
- QTY: Packing Quantity
- CAT: Luminous Intensity Rank
- HUE: Dom. Wavelength Rank
- REF: Forward Voltage Rank
- LOT No: Lot Number
- X: Month
- Reference: Identify Label Number

Packing Specification

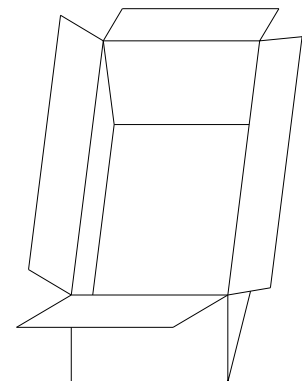
■ Anti-electrostatic bag



■ Inner Carton



■ Outside Carton



■ Packing Quantity

1. 500 PCS/1 Bag, 5 Bags/1 Inner Carton
2. 10 Inner Cartons/1 Outside Carton

Notes

1. Above specification may be changed without notice. Everlight Americas will reserve authority on material change for above specification.
2. When using this product, please observe the absolute maximum ratings and the instructions for using outlined in these specification sheets. Everlight Americas assumes no responsibility for any damage resulting from use of the product which does not comply with the absolute maximum ratings and the instructions included in these specification sheets.
3. These specification sheets include materials protected under copyright of Everlight Americas corporation. Please don't reproduce or cause anyone to reproduce them without Everlight Americas's consent.