



Chipsmall Limited consists of a professional team with an average of over 10 year of expertise in the distribution of electronic components. Based in Hongkong, we have already established firm and mutual-benefit business relationships with customers from,Europe,America and south Asia,supplying obsolete and hard-to-find components to meet their specific needs.

With the principle of “Quality Parts,Customers Priority,Honest Operation,and Considerate Service”,our business mainly focus on the distribution of electronic components. Line cards we deal with include Microchip,ALPS,ROHM,Xilinx,Pulse,ON,Everlight and Freescale. Main products comprise IC,Modules,Potentiometer,IC Socket,Relay,Connector.Our parts cover such applications as commercial,industrial, and automotives areas.

We are looking forward to setting up business relationship with you and hope to provide you with the best service and solution. Let us make a better world for our industry!



## Contact us

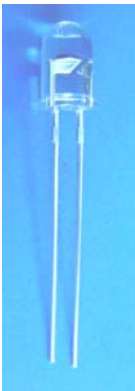
Tel: +86-755-8981 8866 Fax: +86-755-8427 6832

Email & Skype: info@chipsmall.com Web: www.chipsmall.com

Address: A1208, Overseas Decoration Building, #122 Zhenhua RD., Futian, Shenzhen, China



### 5mm Silicon PIN Photodiode , T-1 3/4 EAPDLP05RDDA1



#### Features

- Fast response time
- High photo sensitivity
- Small junction capacitance
- Pb free
- This product itself will remain within RoHS compliant version.

#### Description

EAPDLP05RDDA1 is a high speed and high sensitive PIN photodiode in a standard 5  $\phi$  plastic package. Due to its water clear epoxy the device is sensitive to visible and infrared radiation.

#### Applications

- High speed photo detector
- Security system
- Camera

**Device Selection Guide**

Chip Materials	Lens Color
Silicon	Water clear

**Absolute Maximum Ratings (Ta=25°C)**

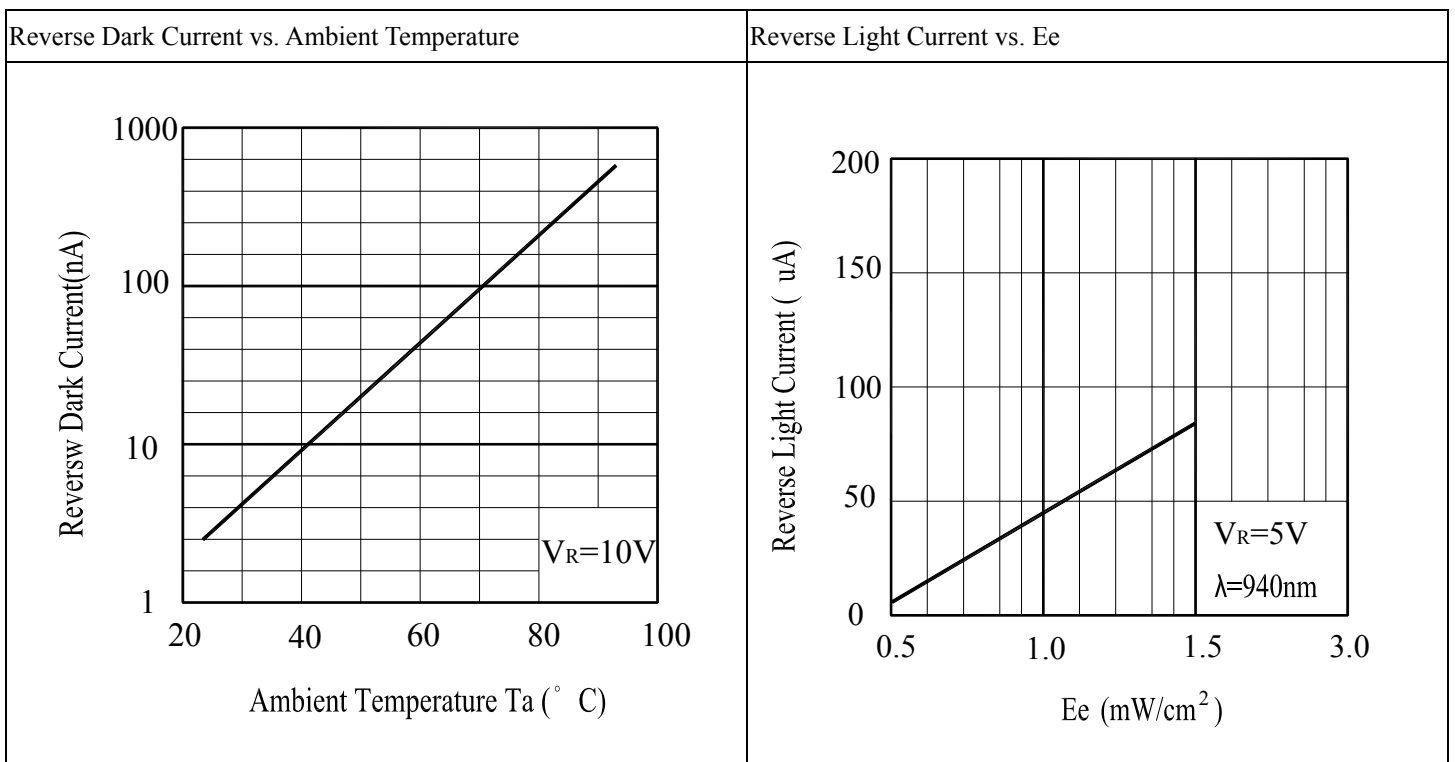
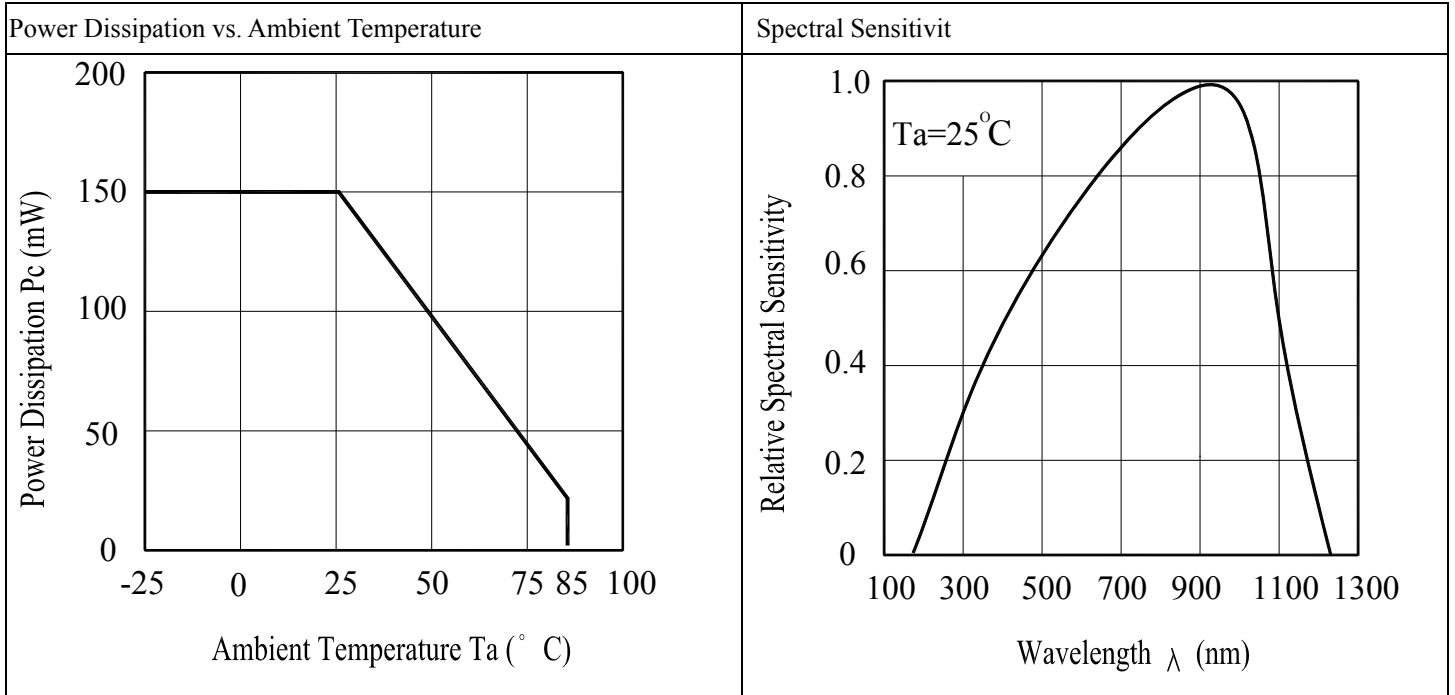
Parameter	Symbol	Rating	Unit
Reverse Voltage	$V_R$	32	V
Power Dissipation	$P_d$	150	mW
Lead Soldering Temperature	$T_{sol}$	260	°C
Operating Temperature	$T_{opr}$	-25 ~ +85	°C
Storage Temperature	$T_{stg}$	-40 ~ +100	°C

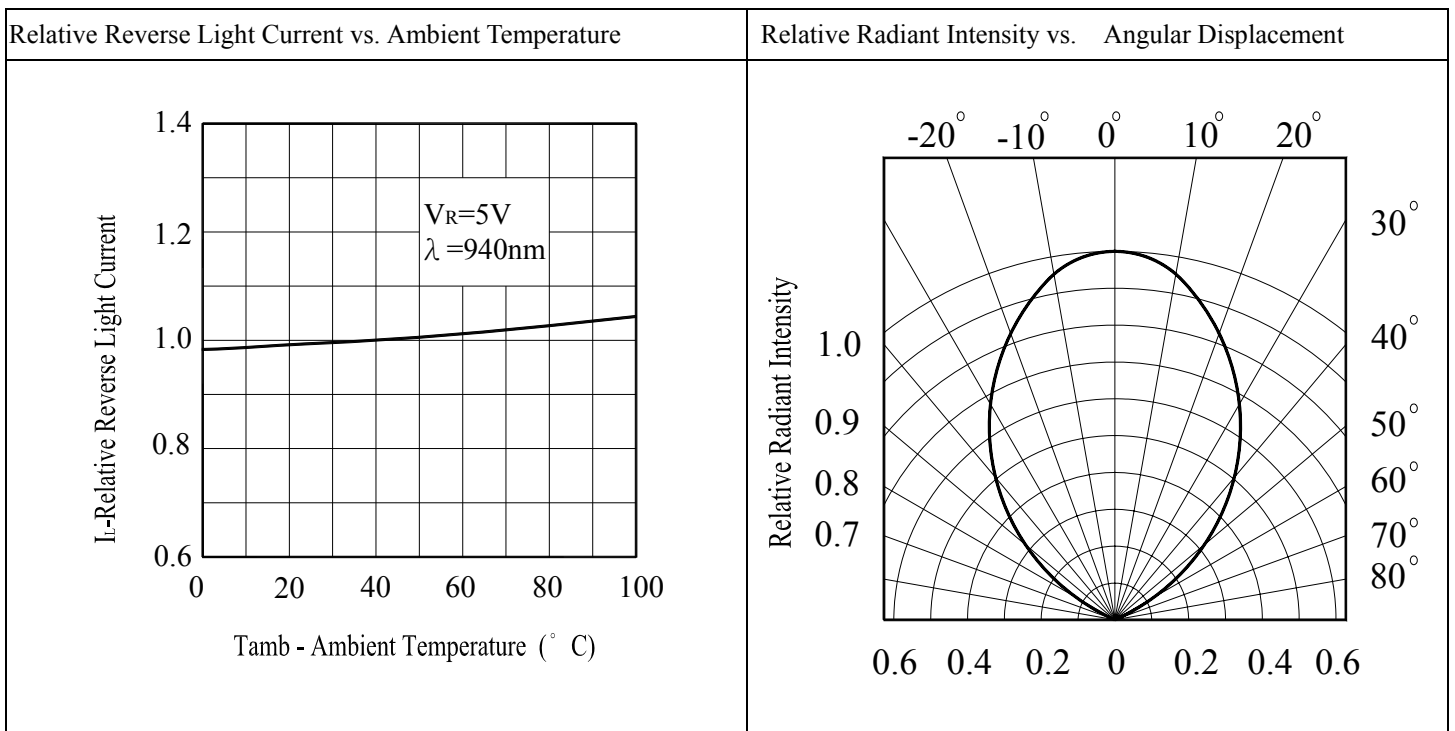
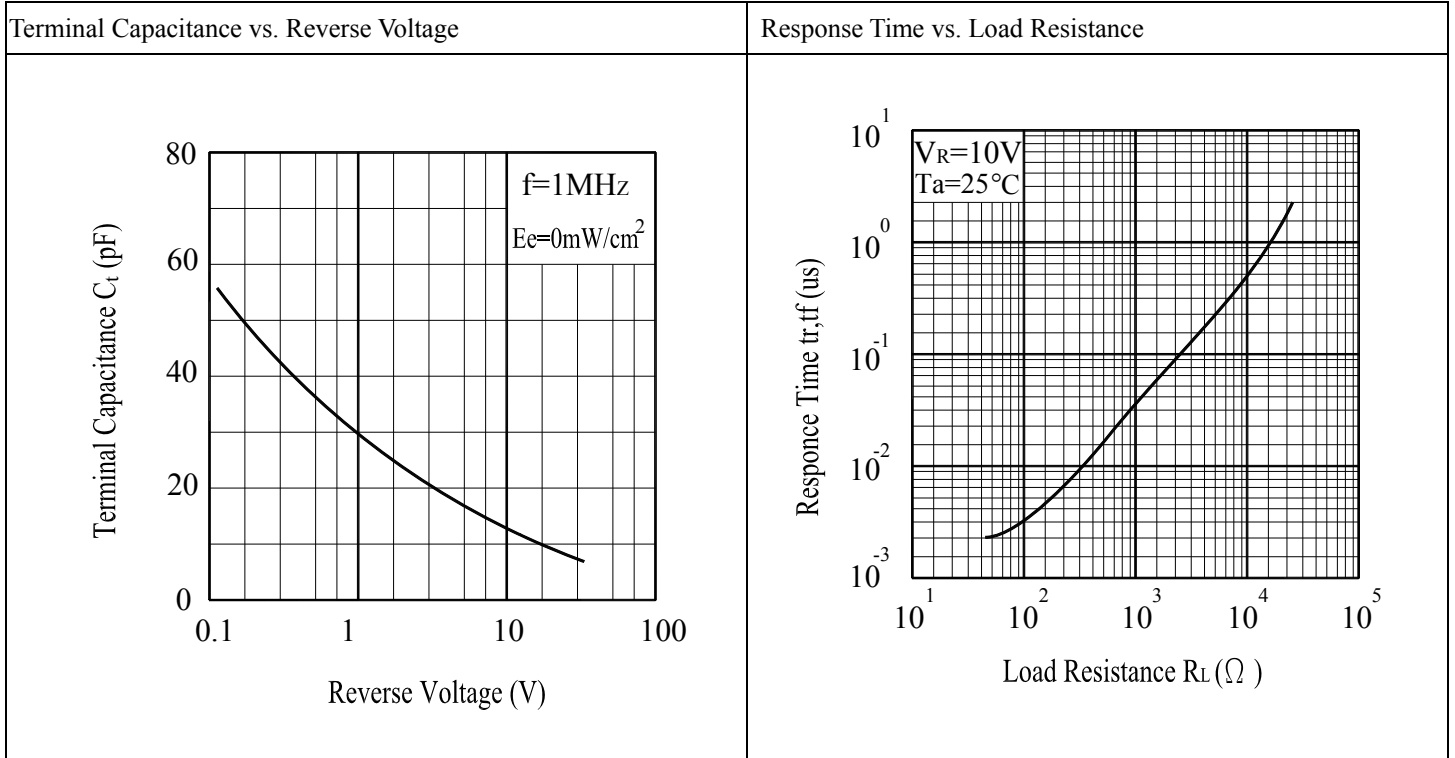
**Notes:** \*1:Soldering time  $\leq$  5 seconds.

**Electro-Optical Characteristics (Ta=25°C)**

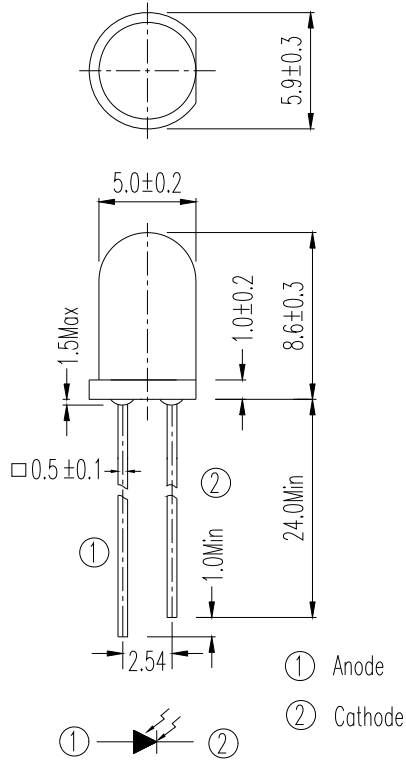
Parameter	Symbol	Min.	Typ.	Max.	Unit	Condition
Range Of Spectral Bandwidth	$\lambda_{0.5}$	400	---	1100	nm	-----
Wavelength Of Peak Sensitivity	$\lambda_p$	---	940	---	nm	-----
Open-Circuit Voltage	$V_{OC}$	---	0.39	---	V	$E_e=5m W/cm^2$ $\lambda_p=940nm$
Short- Circuit Current	$I_{SC}$	---	40	---	$\mu A$	$E_e=1m W/cm^2$ $\lambda_p=940nm$
Reverse Light Current	$I_L$	36	40	---		$E_e=1m W/cm^2$ $\lambda_p=940nm$ $V_R=5V$
Reverse Dark Current	$I_D$	---	5	30	nA	$E_e=0m W/cm^2$ $V_R=10V$
Reverse Breakdown Voltage	$V_{BR}$	32	170	---	V	$E_e=0m W/cm^2$ $I_R=100 \mu A$
Total Capacitance	$C_t$	---	18	---	pF	$E_e=0m W/cm^2$ $V_R=5V$ $f=1MHz$
Rise Time/ Fall Time	$t_r/ t_f$	---	45/45	---	nS	$V_R=10V$ $R_L=1K \Omega$
View Angle	201/2	--	80	--	deg	$I_f=20mA$

**Typical Electro-Optical Characteristics Curves**



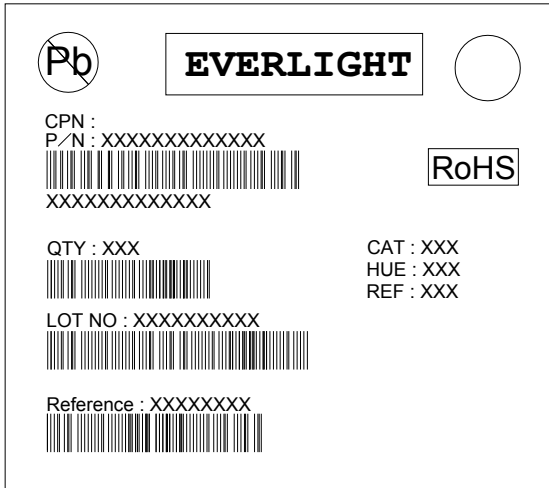


**Package Dimension**



Note: Tolerances unless dimensions  $\pm 0.25$ mm

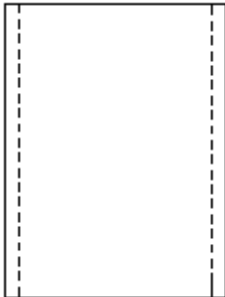
**Label Form Specification**



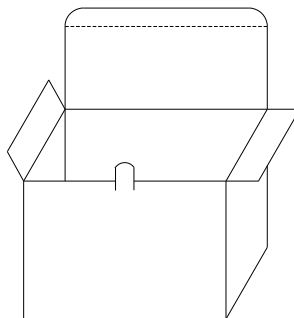
- CPN: Customer's Product Number
- P/N: Product Number
- QTY: Packing Quantity
- CAT: Luminous Intensity Rank
- HUE: Dom. Wavelength Rank
- REF: Forward Voltage Rank
- LOT No: Lot Number
- X: Month
- Reference: Identify Label Number

**Packing Specification**

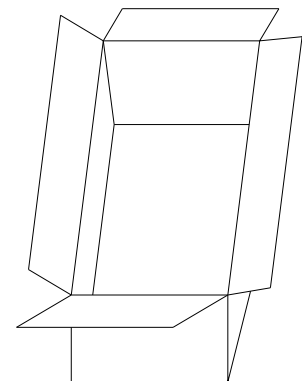
■ Anti-electrostatic bag



■ Inner Carton



■ Outside Carton



■ Packing Quantity

1. 500 PCS/1 Bag, 5 Bags/1 Inner Carton
2. 10 Inner Cartons/1 Outside Carton



**Notes**

1. Above specification may be changed without notice. Everlight Americas will reserve authority on material change for above specification.
2. When using this product, please observe the absolute maximum ratings and the instructions for using outlined in these specification sheets. Everlight Americas assumes no responsibility for any damage resulting from use of the product which does not comply with the absolute maximum ratings and the instructions included in these specification sheets.
3. These specification sheets include materials protected under copyright of Everlight Americas corporation. Please don't reproduce or cause anyone to reproduce them without Everlight Americas's consent.