



Chipsmall Limited consists of a professional team with an average of over 10 year of expertise in the distribution of electronic components. Based in Hongkong, we have already established firm and mutual-benefit business relationships with customers from,Europe,America and south Asia,supplying obsolete and hard-to-find components to meet their specific needs.

With the principle of “Quality Parts,Customers Priority,Honest Operation,and Considerate Service”,our business mainly focus on the distribution of electronic components. Line cards we deal with include Microchip,ALPS,ROHM,Xilinx,Pulse,ON,Everlight and Freescale. Main products comprise IC,Modules,Potentiometer,IC Socket,Relay,Connector.Our parts cover such applications as commercial,industrial, and automotives areas.

We are looking forward to setting up business relationship with you and hope to provide you with the best service and solution. Let us make a better world for our industry!



## Contact us

Tel: +86-755-8981 8866 Fax: +86-755-8427 6832

Email & Skype: info@chipsmall.com Web: www.chipsmall.com

Address: A1208, Overseas Decoration Building, #122 Zhenhua RD., Futian, Shenzhen, China



### Photolink- Fiber Optic Receiver EAPLRBA0



#### Features

- High speed signal transmission(25Mbps NRZ Signal)
- High PD sensitivity optimized for red light
- Data : NRZ signal
- Low power consumption for extended battery life
- Built-in threshold control for improved noise Margin
- The product itself will remain within RoHS compliant version
- Receiver sensitivity: up to  $-27\text{dBm}$  (Min. for 25Mbps)

#### Description

The optical receiver is packaged with custom optic data link interface, integrated on a proprietary CMOS PDIC process.

The unit functions by converting optical signals into electric ones.

The unit is operated at 2.4 ~ 5.5 V and the signal output interface is TTL compatible with high performance at low power consumption.

#### Applications

- Digital Optical Data-Link
- Dolby AC-3 Digital Audio Interface
- HDMI Digital (192kHz) Audio Interface

### Absolute Maximum Ratings (Ta=25°C)

Parameter	Symbol	Rating	Unit
Supply Voltage	Vcc	-0.5 ~ +5.5	V
Output Voltage	Vout	Vcc +0.3	V
Storage Temperature	Tstg	-40 to 85	°C
Operating Temperature	Topr	-20 to 70	°C
Soldering Temperature	Tsol	260*	°C
Human Body Model ESD	HBM	2000	V
Machine Model ESD	MM	100	V

### Recommended Operating Conditions

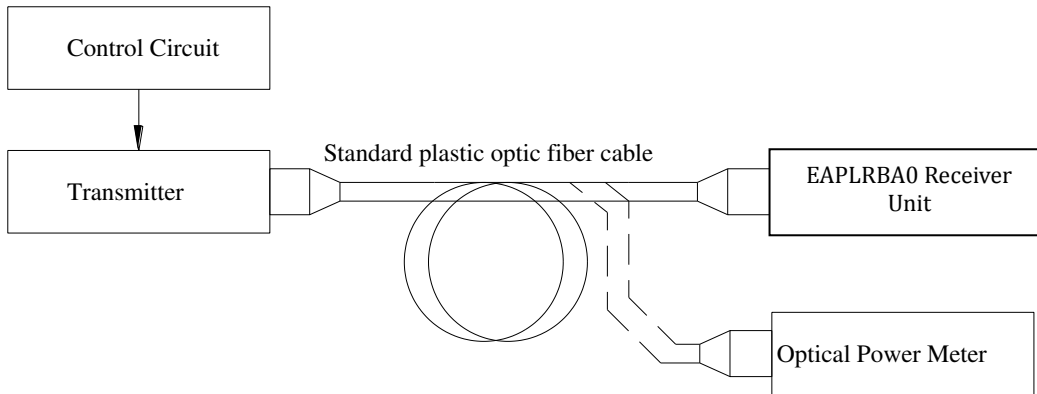
Parameter	Symbol	Conditions	MIN.	TYP.	MAX.	Unit
Supply Voltage	Vcc	-	2.4	3.0	5.50	V

### Electro-Optical Characteristics (Ta=25°C)

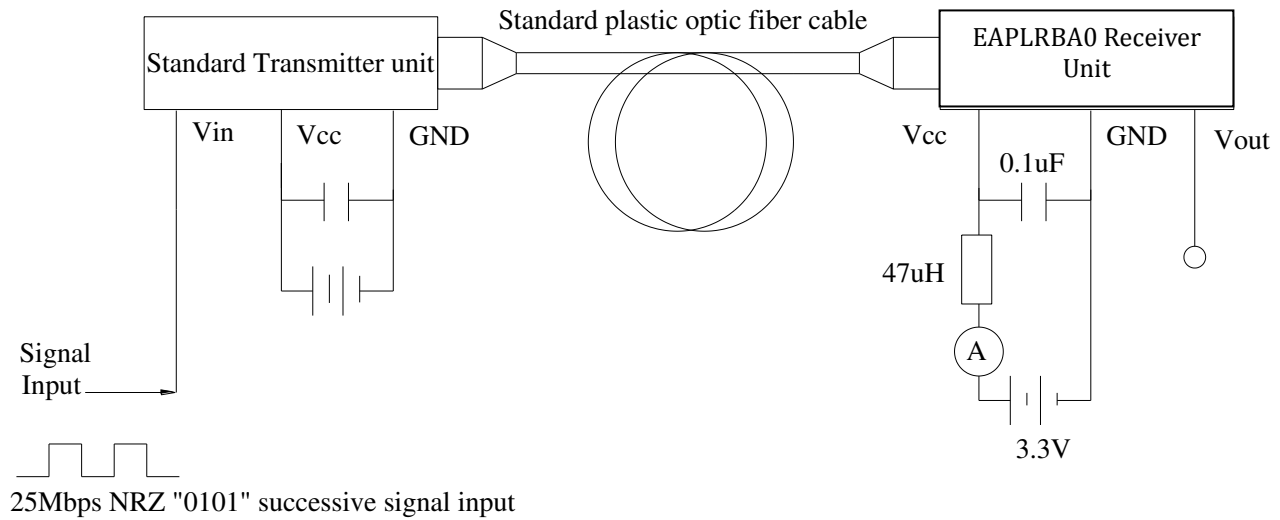
Parameter	Symbol	Min.	Typ.	Max.	Unit	Condition
Peak sensitivity wavelength	$\lambda_p$	-	650	-	nm	-
Transmission Distance	d	0.2	--	5	m	*1
Maximum receiver power	Pc,max	-	-	-14	dBm	Refer to Fig.1
Minimum receiver power	Pc,min	-27	-	-	dBm	Refer to Fig.1
Dissipation current	Icc	-	3	6	mA	Refer to Fig.2
High level output voltage	VOH	3.0	3.2	-	V	Refer to Fig.3
Low level output voltage	VOL	-	0.2	0.4	V	Refer to Fig.3
Rise time	tr	-	10	14	ns	Refer to Fig.3
Fall time	tf	-	10	14	ns	Refer to Fig.3
Propagation delay Low to High	tPLH	-	-	80	ns	Refer to Fig.3
Propagation delay High to Low	tPHL	-	-	80	ns	Refer to Fig.3
Pulse Width Distortion	$\Delta tw$	-15	-	+15	ns	Refer to Fig.3
Jitter	$\Delta tj$	-	1	15	ns	Refer to Fig.3, Pc=-14dBm
		-	5	20	ns	Refer to Fig.3, Pc=-27dBm
Transfer rate	T	0.1	-	25	Mb/s	NRZ signal

## Measuring Method

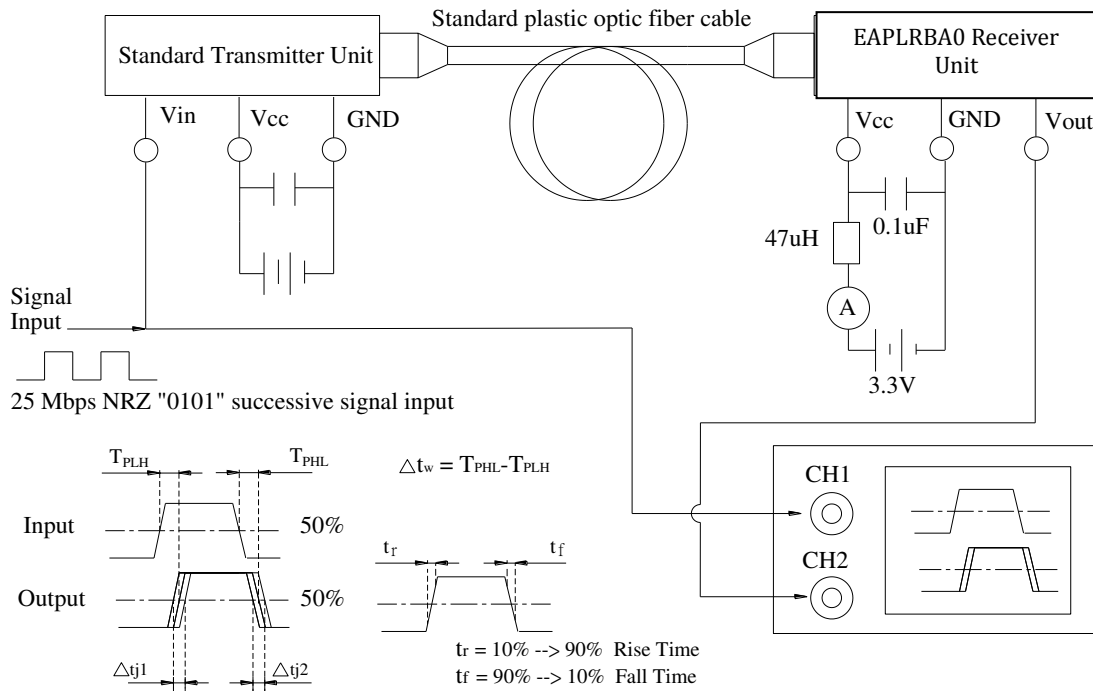
\*Fig.1 Measuring Method of Maximum and Minimum Input Power that Receiver Unit Need



\*Fig.2 Measuring Method of Dissipation Current

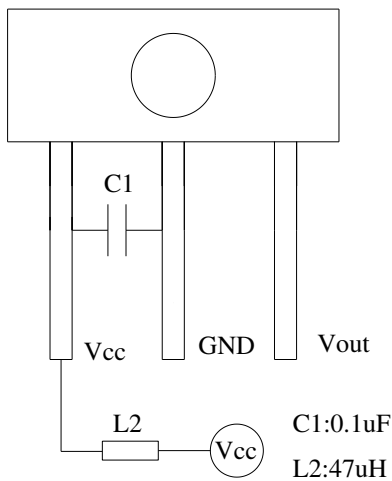


\*Fig.3 Measuring Method of Output Voltage, Pulse and Jitter



## Application Circuit

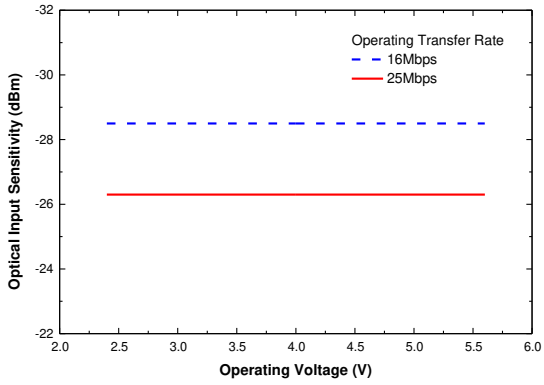
### (1) General application circuit



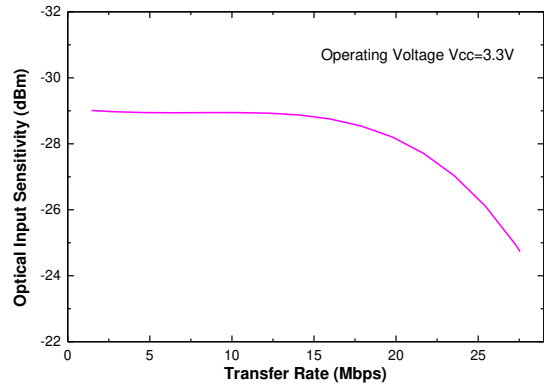
Note: 1. For having good coupling, the C1 capacitor must be placed within 7mm  
 2. For having good signal waveform, the Vout –GND circuit capacitor shall be smaller than 30pF.

## Typical Electro-Optical Characteristics Curves

**\*Fig.4 Power supply voltage vs. Minimum receiver power**

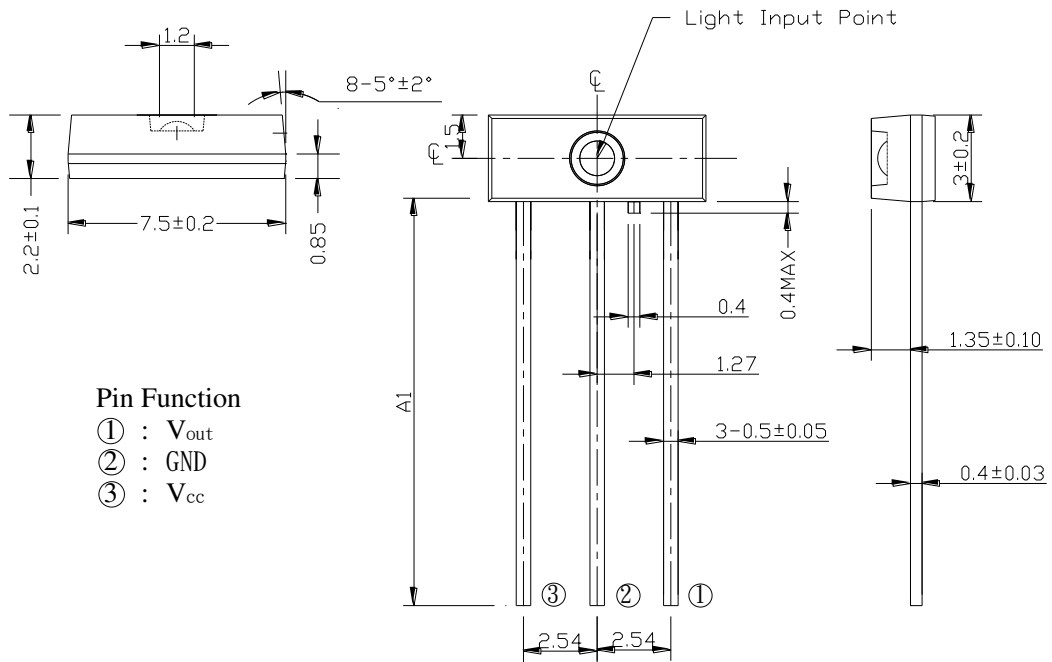


**\*Fig.5 Transfer rate vs. Minimum receiver power**



Note: Before using the EAPLRBA0 device, please confirm the minimum sensitivity at different operating voltage and transmission rate.

**Package Dimension**



Note: Tolerances unless mentioned  $\pm 0.1$ mm. Unit = mm

## Moisture Resistant Packing Materials

### Label Explanation



- CPN: Customer's Product Number
- P/N: Product Number
- QTY: Packing Quantity
- CAT: Luminous Intensity Rank
- HUE: Dom. Wavelength Rank
- REF: Forward Voltage Rank
- LOT No: Lot Number
- X: Month
- Reference: Identify Label Number

### Packing Quantity Specification

1. 250 pcs/bag
2. 4 bag/box



## Notes

1. Above specification may be changed without notice. EVERLIGHT Americas will reserve authority on material change for above specification.
2. .When using this product, please observe the absolute maximum ratings and the instructions for using outlined in these specification sheets. EVERLIGHT Americas assumes no responsibility for any damage resulting from use of the product which does not comply with the absolute maximum ratings and the instructions included in these specification sheets.
3. These specification sheets include materials protected under copyright of EVERLIGHT Americas corporation. Please don't reproduce or cause anyone to reproduce them without EVERLIGHT Americas's consent.

## Application Notes: EAPLRBA0 PCB layout for motherboard integration

To achieve better jitter and low input optical power performances, several PCB layout guidelines must be followed. These guidelines ensure the most reliable EAPLRBA0 POF performance for the motherboard integration. Failed to implement these PCB guidelines may affect the EAPLRBA0 jitter and low input power performances.

1. Careful decoupling of the power supplies is very important. Place a 0.1uf surface mount (size 805 or smaller) capacitor as close as (less than 2cm) to the POF Vdd and Gnd leads. The 0.1uf act as a low impedance path to ground for any stray high frequency transient noises.
2. To reduce the digital noises form the digital IC on the motherboard, the planar capacitance formed by an isolated Vcc and Gnd planes is critical. The POF device must be mounted directly on these two planes to reduce the lead parasitic inductance.
3. The isolated Vdd and Gnd planes must be connected to the main Vcc and Gnd (digital) planes at a single point using ferrite beads. The beads are used to block the high frequency noises from the digital planes while still allowing the DC connections between the planes

