



Chipsmall Limited consists of a professional team with an average of over 10 year of expertise in the distribution of electronic components. Based in Hongkong, we have already established firm and mutual-benefit business relationships with customers from,Europe,America and south Asia,supplying obsolete and hard-to-find components to meet their specific needs.

With the principle of “Quality Parts,Customers Priority,Honest Operation,and Considerate Service”,our business mainly focus on the distribution of electronic components. Line cards we deal with include Microchip,ALPS,ROHM,Xilinx,Pulse,ON,Everlight and Freescale. Main products comprise IC,Modules,Potentiometer,IC Socket,Relay,Connector.Our parts cover such applications as commercial,industrial, and automotives areas.

We are looking forward to setting up business relationship with you and hope to provide you with the best service and solution. Let us make a better world for our industry!



## Contact us

Tel: +86-755-8981 8866 Fax: +86-755-8427 6832

Email & Skype: info@chipsmall.com Web: www.chipsmall.com

Address: A1208, Overseas Decoration Building, #122 Zhenhua RD., Futian, Shenzhen, China

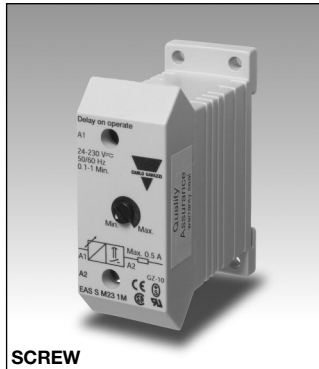


# Timers

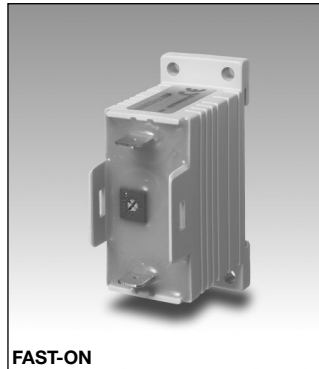
## Delay on Operate

### Type EAS

CARLO GAVAZZI



SCREW



FAST-ON

- Fail-safe two-wire connection
- Low-cost
- Multi-voltage: 24-230 VAC/DC
- Delay on operate
- Time range: 0.5 s - 10 m
- Knob-adjustable time setting
- Output: SCR 10-500 mA (screws) and SCR 10-700mA (Fast-ON)
- For mounting on DIN-rail in accordance with DIN/EN 50 022
- 22.5 mm small Euronorm housing

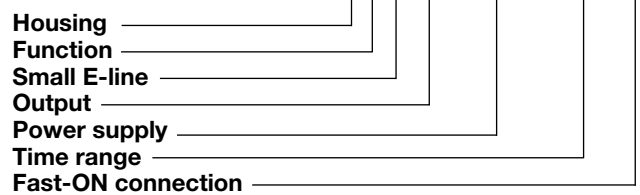
## Product Description

Small, low-cost mono function timer with adjustable time setting. Only 2-wire connection for easy and fail-safe use (see diagram).

For mounting on DIN-rail or directly on surface by screws. The timer is used e.g. to delay small industrial relays or 3-phase contactors.

## Ordering Key

**EAS S M23 10S F**



## Type Selection

Mounting	Output	Time range	Connection	Supply: 24 - 230 VAC/DC
For DIN-rail or for screw	SCR	0.5 - 10 s	Screws	<b>EAS S M23 10S</b>
	SCR	0.1 - 1 m	Screws	<b>EAS S M23 1M</b>
	SCR	1 - 10 m	Screws	<b>EAS S M23 10M</b>
For DIN-rail or for screw	SCR	0.5 - 10 s	Fast-ON	<b>EAS S M23 10S F</b>
	SCR	0.1 - 1 m	Fast-ON	<b>EAS S M23 1M F</b>
	SCR	1 - 10 m	Fast-ON	<b>EAS S M23 10M F</b>

## Time Specifications

<b>Time ranges</b>	
10 s	0.5 - 10 s
1 m	0.1 - 1 m
10 m	1 - 10 m
<b>Time range accuracy</b>	max. setting: actual time $\geq$ max. set time min. setting: actual time $\leq$ min. set time
<b>Repeat accuracy</b>	$\leq 0.2\%$
<b>Time variation</b> Within rated power supply and ambient temperature	$\leq 0.1\%/V$ $\leq 0.2\%/^{\circ}C$
<b>Reset</b> Time and output	Power supply interruption $\geq 200$ ms

## Output Specifications

<b>Output</b>	SCR
<b>Output current</b>	
Maximum load current (screw terminals) (Fast-ON connection)	500 mA 700 mA
Maximum current for 100 ms (screw terminals) (Fast-ON connection)	5.5 A 7 A
Minimum load current	10 mA
<b>Leakage current</b>	$\leq 3.5$ mA @ 230 V typ.: 2 m
<b>Voltage drop</b>	$\leq 8$ VAC/DC typ.: 5 VAC/DC @ 50 mA

## Supply Specifications

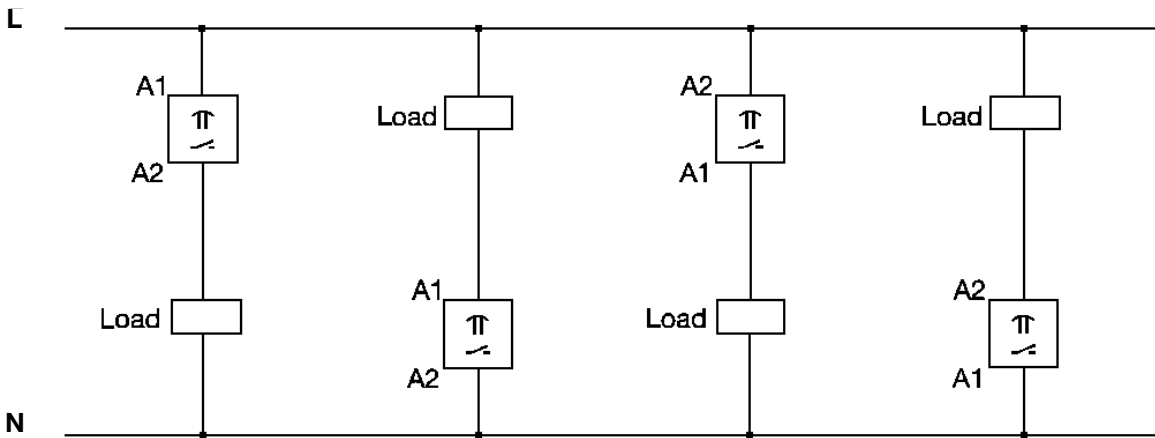
<b>Power supply</b>	Overvoltage cat. III (IEC 60664) (IEC 60038)
Rated operational voltage	24-230 VAC/DC, -10/+15%
Rated insulation voltage	None



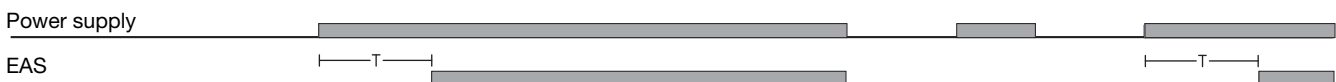
## General Specifications

<b>Power ON delay</b>	≤ 100 ms	Max. screws tightening torque	0.5 Nm
<b>Power OFF delay</b>	≥ 200 ms		Dimensions (Fast-ON connection)
<b>Environment</b>		Material	ABS
Degree of protection	IP 20	<b>Approvals</b>	UL, CSA
Pollution degree	3	<b>CE Marking</b>	Yes
Operating temperature	-20° to +50°C (-4° to +122°F)	<b>EMC</b>	Electromagnetic compatibility
Storage temperature	-30° to +80°C (-22° to +176°F)	Immunity	Acc. to IEC 60801-4 Acc. to IEC 60801-5
<b>Weight</b>	50 g		
<b>Housing</b>			
Dimensions (screw connection)	22.5 x 56 x 49 mm		

## Wiring Diagram



## Operation Diagram



## Dimensions

