



Chipsmall Limited consists of a professional team with an average of over 10 year of expertise in the distribution of electronic components. Based in Hongkong, we have already established firm and mutual-benefit business relationships with customers from,Europe,America and south Asia,supplying obsolete and hard-to-find components to meet their specific needs.

With the principle of “Quality Parts,Customers Priority,Honest Operation,and Considerate Service”,our business mainly focus on the distribution of electronic components. Line cards we deal with include Microchip,ALPS,ROHM,Xilinx,Pulse,ON,Everlight and Freescale. Main products comprise IC,Modules,Potentiometer,IC Socket,Relay,Connector.Our parts cover such applications as commercial,industrial, and automotives areas.

We are looking forward to setting up business relationship with you and hope to provide you with the best service and solution. Let us make a better world for our industry!



Contact us

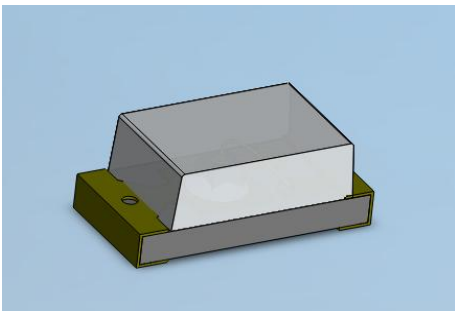
Tel: +86-755-8981 8866 Fax: +86-755-8427 6832

Email & Skype: info@chipsmall.com Web: www.chipsmall.com

Address: A1208, Overseas Decoration Building, #122 Zhenhua RD., Futian, Shenzhen, China



SMD ■ B EAST16086GA9-AM



Features

- RoHS compliant
- Chip LED package.
- Colorless clear resin.
- Wide viewing angle 130°.
- Brightness: 14 to 35.5 mcd at 20mA.
- Qualification according to AEC-Q101.
- Precondition: Bases on JEDEC J-STD 020 Level 3.
- Automotive reflow profile (IR reflow or wave soldering)
- Compliance with EU REACH.
- Compliance Halogen Free .(Br <900 ppm ,Cl <900 ppm , Br+Cl < 1500 ppm).

Applications

- Automotive backlighting or indicator: Dashboard, switch, audio and video equipments...etc.
- Backlight: LCD, switches, symbol, mobile phone and illuminated advertising.
- Display for indoor and outdoor application.
- Ideal for coupling into light guides.
- Substitution of traditional light.
- Optical indicator.
- General applications.

Device Selection Guide

| Chip Materials | Emitted Color | Resin Color |
|----------------|---------------|-------------|
| AlGaInP | Pale Green | Water Clear |

Absolute Maximum Ratings (Ta=25°C)

| Parameter | Symbol | Rating | Unit |
|---|---------------|---|------|
| Reverse Voltage | V_R | 12 | V |
| Forward Current | I_F | 20 | mA |
| Peak Forward Current (Duty 1/10 @1KHz) | I_{FP} | 60 | mA |
| Power Dissipation | P_d | 75 | mW |
| Junction Temperature | T_j | 125 | °C |
| Operating Temperature | T_{opr} | -40 ~ +100 | °C |
| Storage Temperature | T_{stg} | -40 ~ +110 | °C |
| Thermal Resistance | $R_{th\ J-A}$ | 800 | K/W |
| | $R_{th\ J-S}$ | 450 | K/W |
| ESD (Classification acc. AEC Q101) | ESD_{HBM} | 2000 | V |
| | ESD_{MM} | 200 | V |
| Soldering Temperature | T_{sol} | Reflow Soldering : 260 °C for 30 sec. Hand Soldering : 350 °C for 3 sec. | |

Electro-Optical Characteristics (Ta=25°C)

| Parameter | Symbol | Min. | Typ. | Max. | Unit | Condition |
|---|-----------------------------|-------|-------|-------|------|----------------------|
| Luminous Intensity | Iv | 14.00 | ----- | 35.50 | mcd | I _F =20mA |
| Viewing Angle | 2θ _{1/2} | ----- | 120 | ----- | deg | I _F =20mA |
| Peak Wavelength | λ _p | ----- | 561 | ----- | nm | I _F =20mA |
| Dominant Wavelength | λ _d | 557 | ---- | 564 | nm | I _F =20mA |
| Spectrum Radiation Bandwidth | Δλ | ----- | 20 | ----- | nm | I _F =20mA |
| Forward Voltage | V _F | 1.70 | ---- | 2.30 | V | I _F =20mA |
| Reverse Current | I _R | ----- | ----- | 10 | μA | V _R =12V |
| Temperature coefficient of λ _p | TC _{λ_p} | ----- | 0.06 | ----- | nm/K | I _F =20mA |
| Temperature coefficient of λ _d | TC _{λ_d} | ----- | 0.4 | ----- | nm/K | I _F =20mA |
| Temperature coefficient of V _F | TC _V | ----- | -2.3 | ----- | mV/K | I _F =20mA |

Note:

1. Tolerance of Luminous Intensity: ±11%
2. Tolerance of Dominant Wavelength: ±1nm
3. Tolerance of Forward Voltage: ±0.1V

Bin Range of Luminous Intensity

| Bin Code | Min. | Max. | Unit | Condition |
|----------|-------|-------|------|----------------------|
| L2 | 14.00 | 18.00 | mcd | I _F =20mA |
| M1 | 18.00 | 22.40 | | |
| M2 | 22.40 | 28.00 | | |
| N1 | 28.00 | 35.50 | | |

Note:

Tolerance of Luminous Intensity: ±11%

Bin Range of Dominant Wavelength

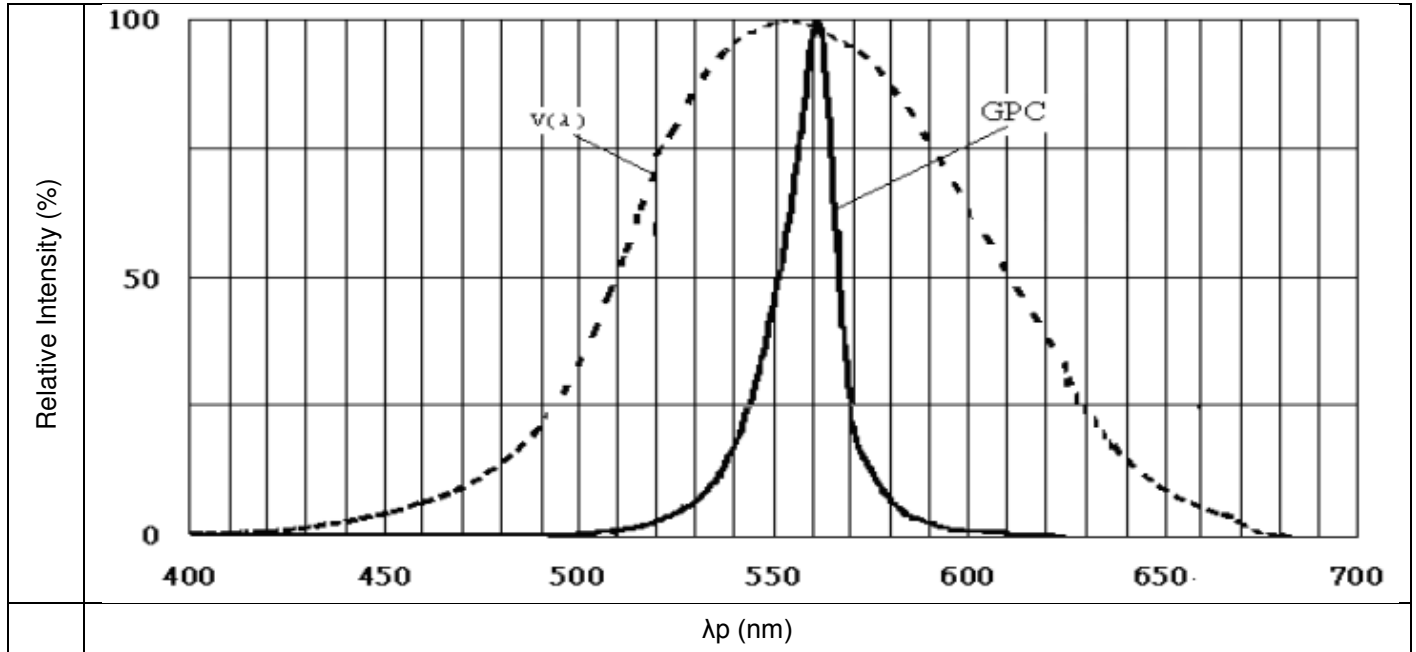
| Bin Code | Min. | Max. | Unit | Condition |
|----------|------|------|------|----------------------|
| 1 | 557 | 561 | nm | I _F =20mA |
| 2 | 561 | 564 | | |

Note:

Tolerance of Dominant Wavelength: ±1nm

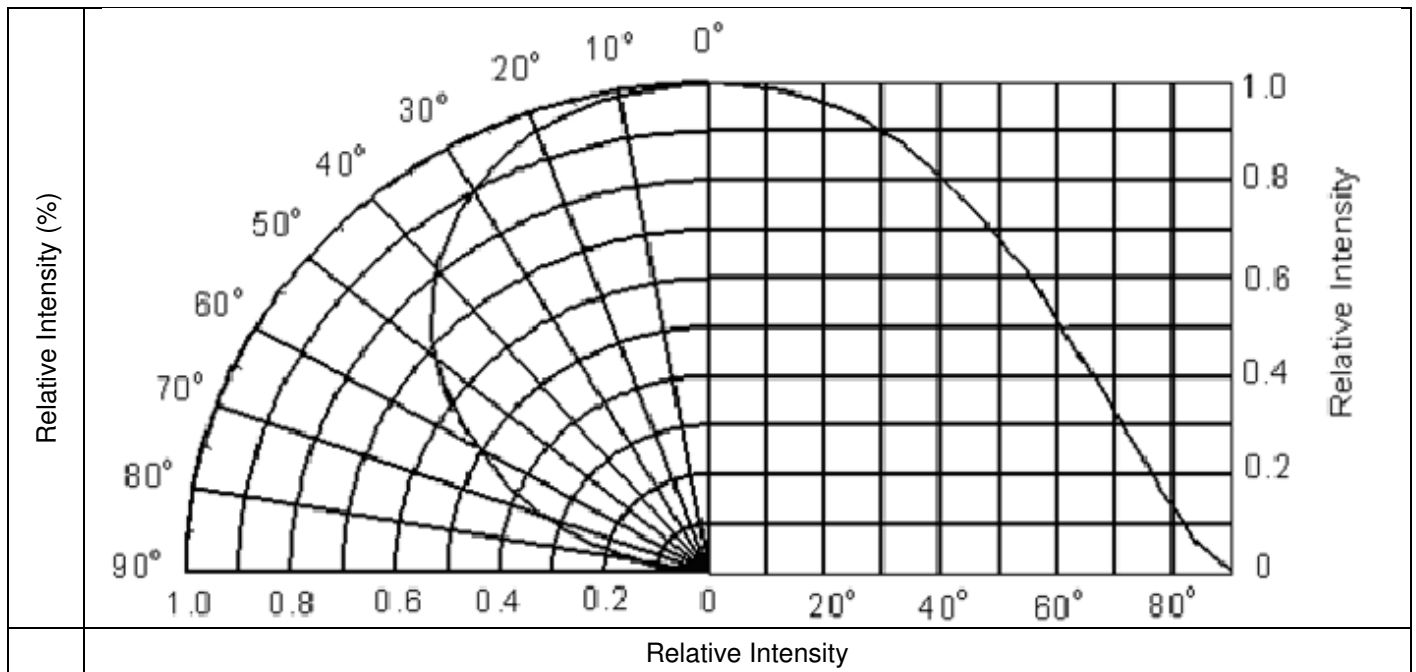
Typical Electro-Optical Characteristics Curves

Typical Curve of Spectral Distribution

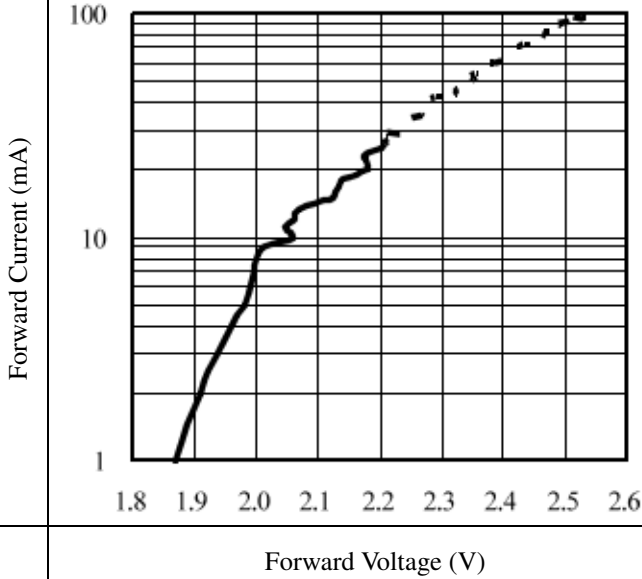


Note: $V(\lambda)$ = Standard eye response curve; $I_F = 20\text{mA}$

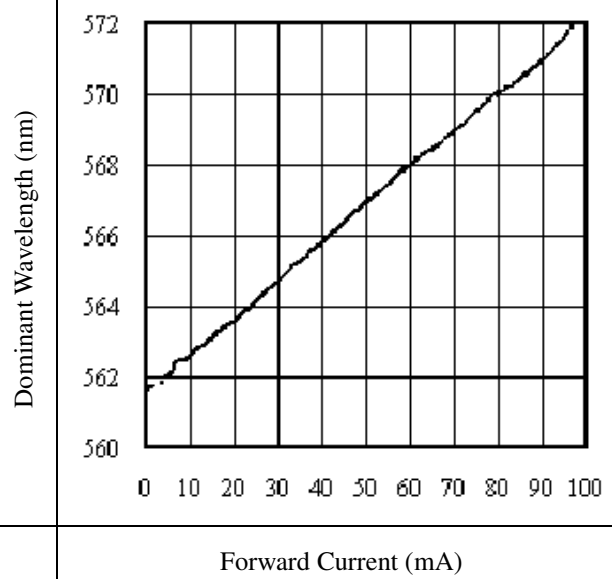
Diagram Characteristics of Radiation



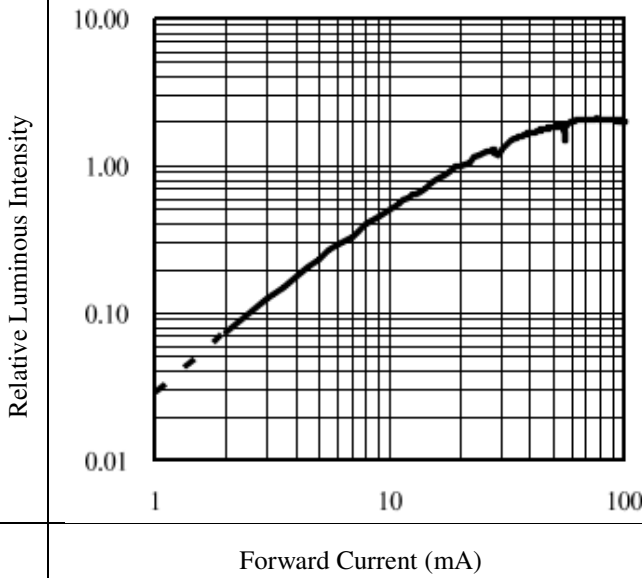
Forward Current vs. Forward Voltage
 (Ta=25°C)



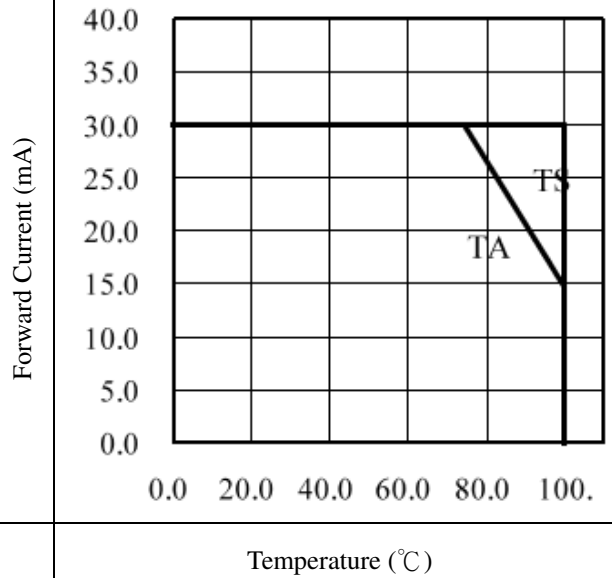
Dominant Wavelength vs. Forward Current
 (Ta=25°C)



Relative Luminous Intensity vs. Forward Current
 (Ta=25°C)

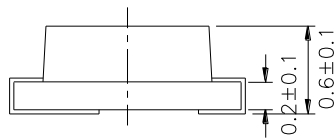
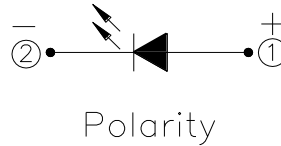
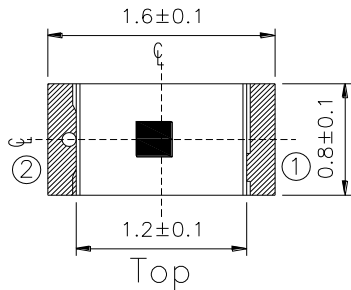


Max. Permissible Forward Current
 (Ta=25°C)

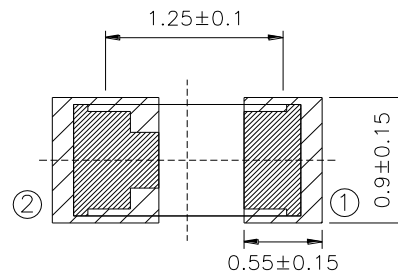
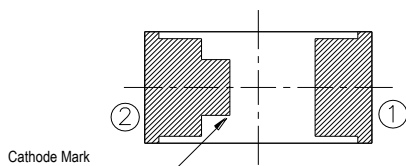


| Relative Luminous Intensity vs. Junction Temperature | | Relative Forward Voltage vs. Junction Temperature | |
|---|---------------------------|--|---------------------------|
| Relative Luminous Intensity | | Relative Forward Voltage | |
| | Junction Temperature (°C) | | Junction Temperature (°C) |
| Note: $f(T_j) = I_v - I_v(25^\circ\text{C}); I_F = 20\text{mA}$ | | Note: $\Delta V_F = V_F - V_F(25^\circ\text{C}) = f(T_j); I_F = 20\text{mA}$ | |

Package Dimension



Recommend Sodering Pad



Suggested pad dimension is just for reference only.
 Please modify the pad dimension based on individual need.

Note: Tolerances unless mentioned ± 0.1 mm. Unit = mm

Moisture Resistant Packing Materials

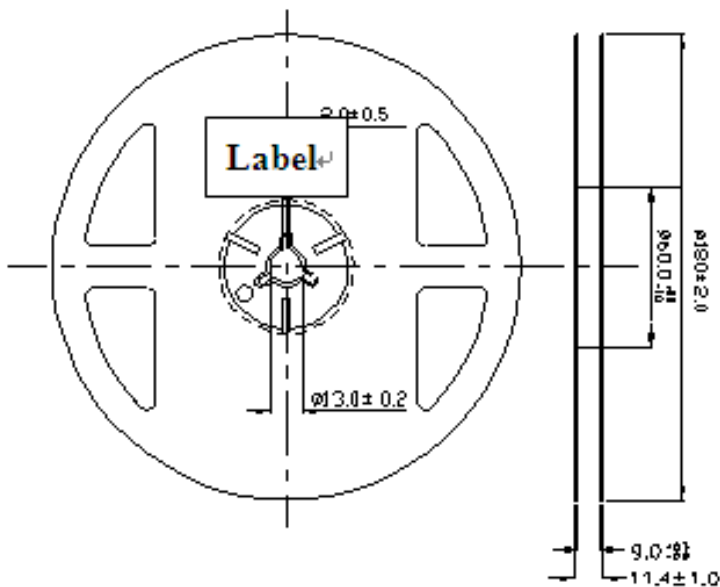
Label Explanation



Label Explanation

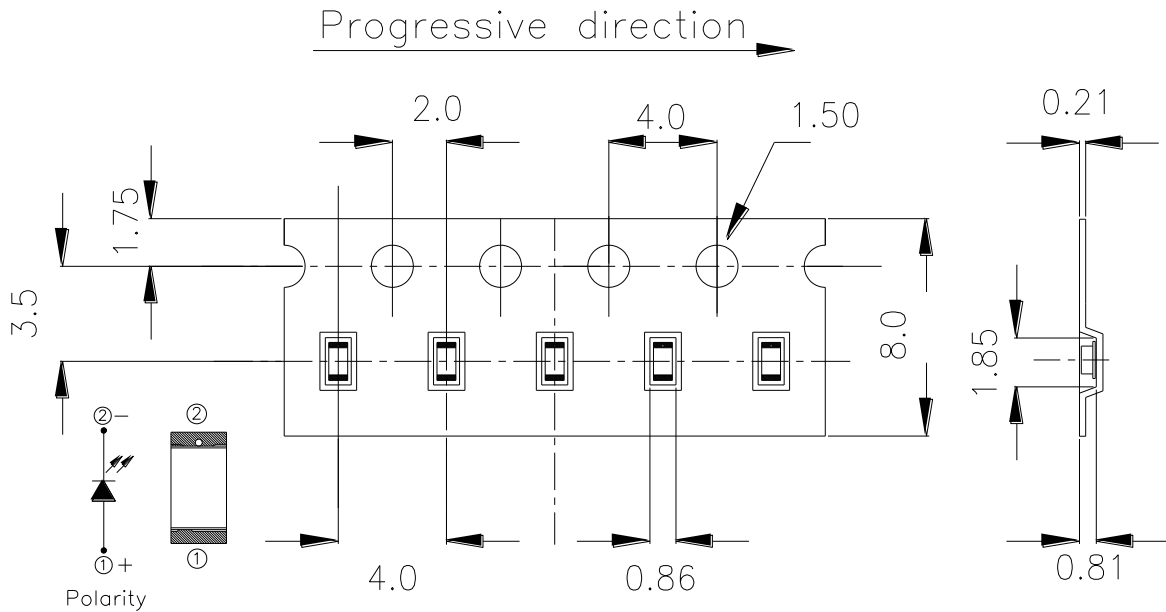
- **CPN:** Customer's Product Number
- **P/N:** Product Number
- **QTY:** Packing Quantity
- **CAT:** Luminous Intensity Rank
- **HUE:** Dom. Wavelength Rank
- **REF:** Forward Voltage Rank
- **LOT No:** Lot Number

Reel Dimensions



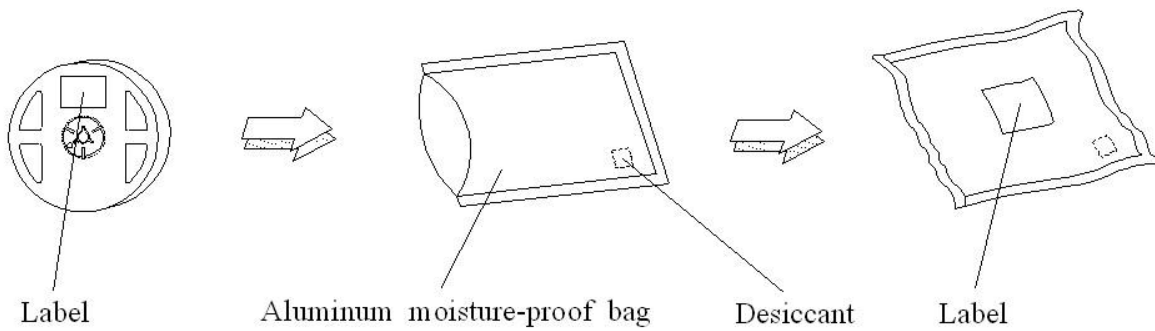
Note: The tolerances unless mentioned is $\pm 0.1\text{mm}$, Unit = mm

Carrier Tape Dimensions: Loaded Quantity 3000 pcs Per Reel



Note: Tolerances unless mentioned ± 0.1 mm. Unit = mm

Moisture Resistant Packing Process

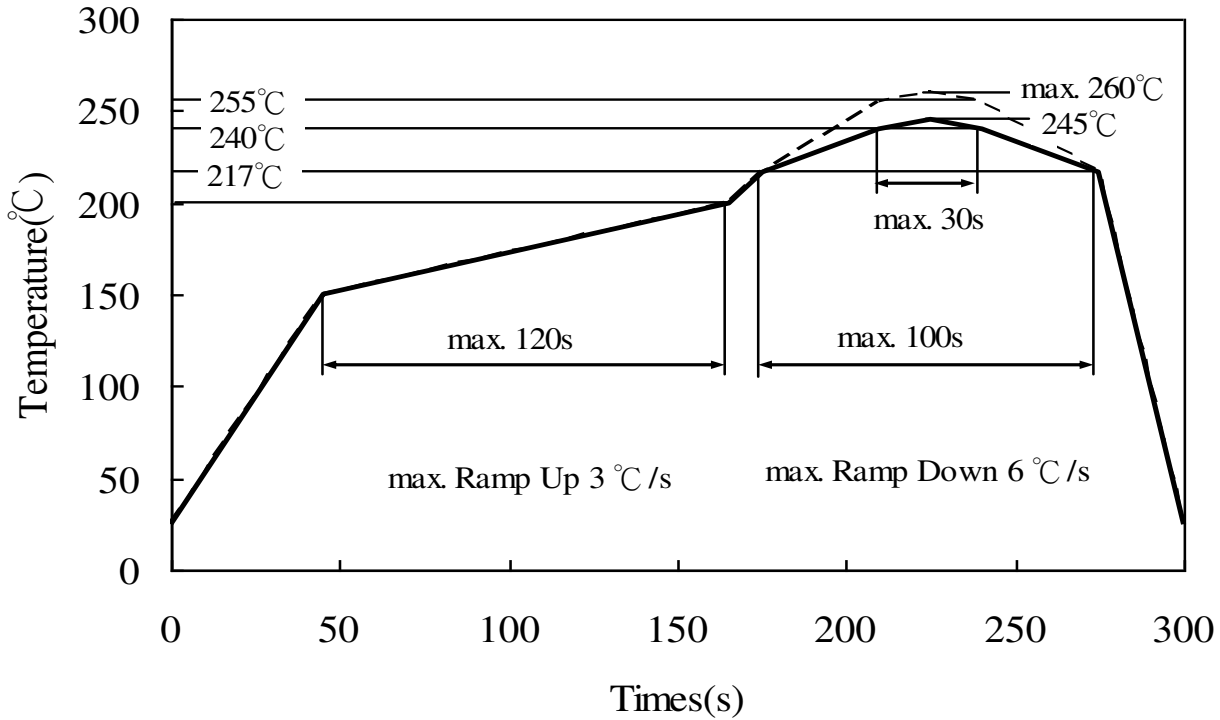


Note: Tolerances unless mentioned ± 0.1 mm. Unit = mm

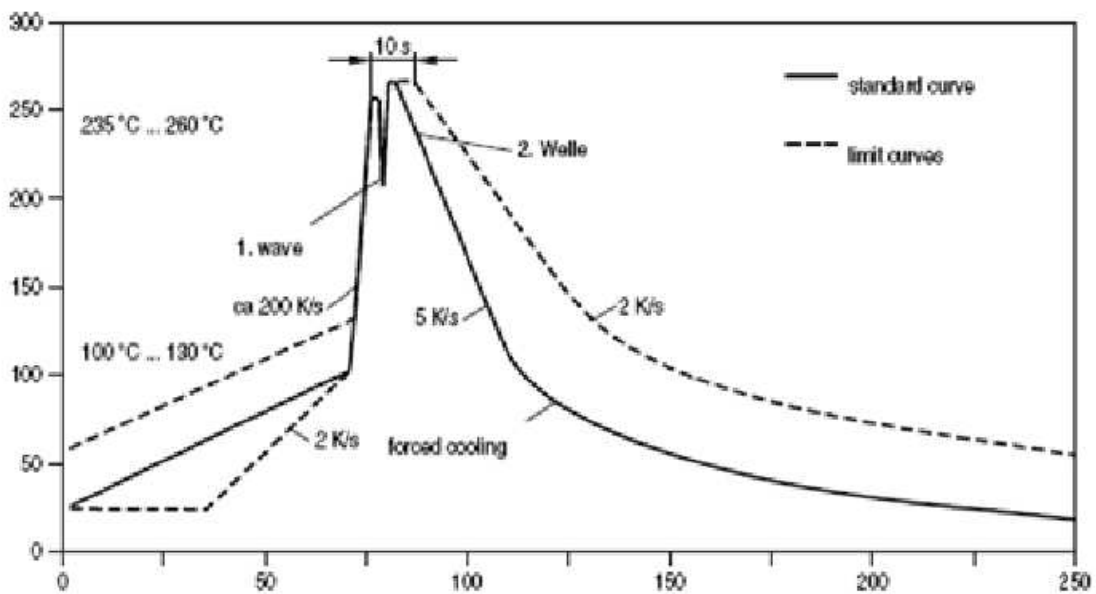
Precautions for Use

1. Soldering Condition (Reference: IPC/JEDEC J-STD-020D)

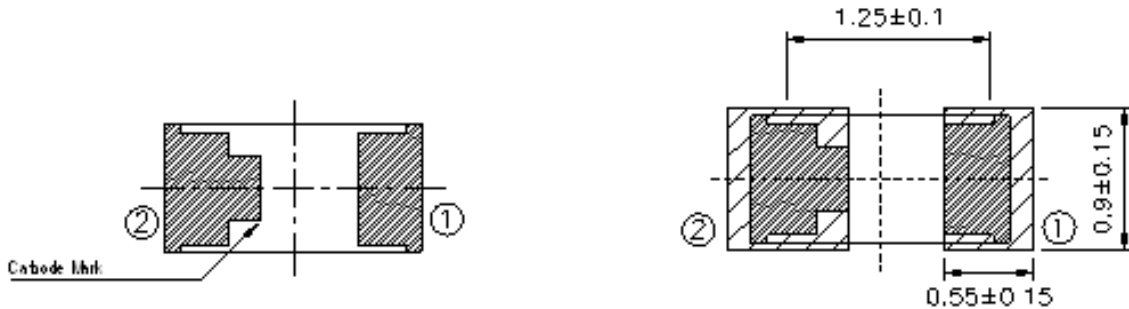
(A) IR reflow



(B) Wave Soldering reflow



(B) Recommend soldering pad



Note: Tolerances unless mentioned ± 0.1 mm. Unit = mm

2. Current limiting

A resistor should be used to limit current spikes that can be caused by voltage fluctuations. Otherwise damage could occur.

3. Storage

3.1 Moisture proof bag should only be opened immediately prior to usage.

3.2 Environment should be less than 30°C and 90% RH when moisture proof bag is opened.

3.3 After opening the package MSL Conditions stated on page 1 of this spec should not be exceeded.

3.4 If the moisture sensitivity card indicates higher than acceptable moisture, the component should be baked at min. 60°deg $\pm 5^{\circ}\text{deg}$ for 25 hours.

4. Iron Soldering

Hand soldering is not recommended for regular production. These guidelines are for rework only. Soldering iron tip should contact each terminal no more than 3 sec at 350°C , using soldering iron with nominal power less than 25W. Allow min. 2 sec. between soldering intervals.

5. Usage

Do not exceed the values given in this specification.

Application Restrictions

1. High reliability applications such as military/aerospace, automotive safety/security systems, and medical equipment may require different product. If you have any concerns, please contact Everlight Americas before using this product in your application. This specification guarantees the quality and performance of the product as an individual component. Do not use this product beyond the specification described in this document.