



Chipsmall Limited consists of a professional team with an average of over 10 year of expertise in the distribution of electronic components. Based in Hongkong, we have already established firm and mutual-benefit business relationships with customers from,Europe,America and south Asia,supplying obsolete and hard-to-find components to meet their specific needs.

With the principle of “Quality Parts,Customers Priority,Honest Operation,and Considerate Service”,our business mainly focus on the distribution of electronic components. Line cards we deal with include Microchip,ALPS,ROHM,Xilinx,Pulse,ON,Everlight and Freescale. Main products comprise IC,Modules,Potentiometer,IC Socket,Relay,Connector.Our parts cover such applications as commercial,industrial, and automotives areas.

We are looking forward to setting up business relationship with you and hope to provide you with the best service and solution. Let us make a better world for our industry!



Contact us

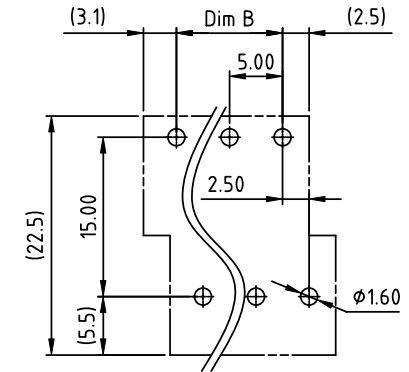
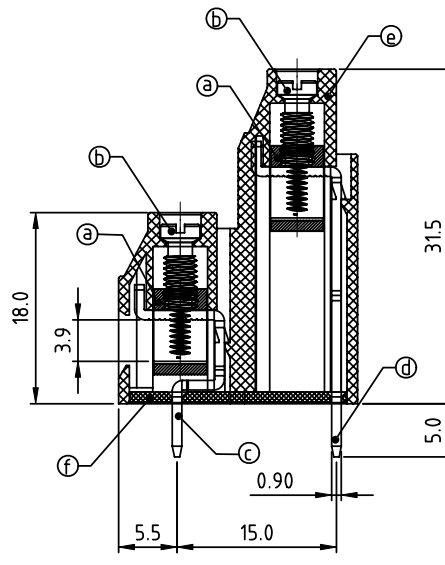
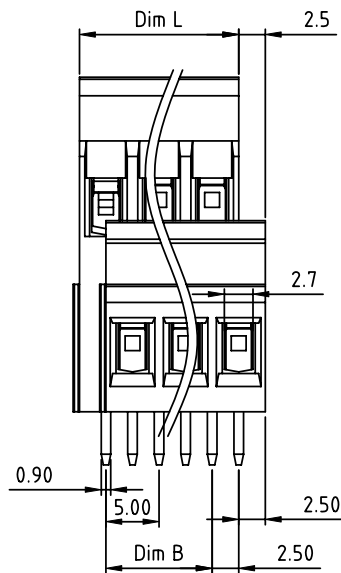
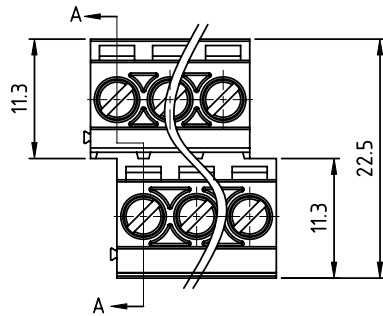
Tel: +86-755-8981 8866 Fax: +86-755-8427 6832

Email & Skype: info@chipsmall.com Web: www.chipsmall.com

Address: A1208, Overseas Decoration Building, #122 Zhenhua RD., Futian, Shenzhen, China



PRODUCT NUMBER	PITCH
EBxx01x000J0G	5.00 mm



RECOMMENDED P.C.B LAYOUT
TOP VIEW

Material

- Item (a) Clamp: Brass, Ni plated
- Item (b) Terminal screw: Steel Zinc plating "-" slot type
- Item (c) Solder pin1: Brass, Tin plated
- Item (d) Solder pin2: Brass, Tin plated
- Item (e) Terminal housing: Thermoplastic (UL94V-0)
- Item (f) Terminal cover: Thermoplastic (UL94V-0)

Electrical cULus

- Voltage rating: 300VAC
- Current rating: 20A
- Wire range:
- Solid wire(AWG): 12-22
- Stranded wire(AWG): 12-22
- Torque(Lb-In): 4.3
- Screw: M3
- Wire strip length: 6-7mm
- Withstanding Voltage: 1.6KV
- Operating temperature: -40°C to +115°C
- Soldering temperature: 260°C±5°C/5 Sec
- Safety Approval: cULus

DIMENSION

Dim L	N/2x5.0
Dim B	(N/2-1)x5.0

N=Number of poles

Poles	Tolerance
2x2p~2x6p	±0.15
2x7p~2x12p	±0.20
2x13p~2x18p	±0.25
2x19p~2x24p	±0.30

PART NO.: EB xx 0 1 x 0 00J0 G

End stackable	0	Color	Black (RAL9005)	RoHS compliant	(lead<4%)
No. of poles	2		Red (RAL3001/D)	In copper Alloy	
	04	2x2 poles	3	Orange(RAL2011/P)	
	06	2x3 poles	4	Yellow(RAL1018/A)	
	5	Green(RAL6018/T)	
	48	2x24 poles	6	Blue (RAL5015/A)	
			8	Grey(RAL7035/D)	
			9	White(RAL1102)	
			C	Green(RAL6018/U)	

mat'l. code		surface ASME Y14.5	tolerance ASME Y14.5	projection	product family TERMINAL BLOCK
ltr	ecn no	dr	date	 MM	title TERMINAL BLOCK
tolerances unless otherwise specified					
angles		X.±0.5		scale	RISING CLAMP,180D WIRE INLET,END STACKABLE,INTERLACE dwg no EBxx01x000J0G sheet 1 of 1 size A4
X*±1*		X.XX±0.3			
dr		EVIN ZHONG	041114		type CUSTOMER Drawing
enrg		EVIN ZHONG	041114		
chr		HANKE FENG	041114		
appd		SHI JUN	041114		
sheet index	revision	A	1		