

Chipsmall Limited consists of a professional team with an average of over 10 year of expertise in the distribution of electronic components. Based in Hongkong, we have already established firm and mutual-benefit business relationships with customers from,Europe,America and south Asia,supplying obsolete and hard-to-find components to meet their specific needs.

With the principle of “Quality Parts,Customers Priority,Honest Operation,and Considerate Service”,our business mainly focus on the distribution of electronic components. Line cards we deal with include Microchip,ALPS,ROHM,Xilinx,Pulse,ON,Everlight and Freescale. Main products comprise IC,Modules,Potentiometer,IC Socket,Relay,Connector.Our parts cover such applications as commercial,industrial, and automotives areas.

We are looking forward to setting up business relationship with you and hope to provide you with the best service and solution. Let us make a better world for our industry!



## Contact us

Tel: +86-755-8981 8866 Fax: +86-755-8427 6832

Email & Skype: [info@chipsmall.com](mailto:info@chipsmall.com) Web: [www.chipsmall.com](http://www.chipsmall.com)

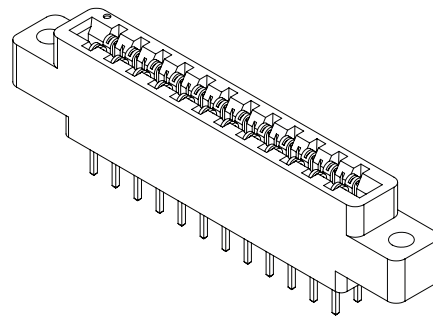
Address: A1208, Overseas Decoration Building, #122 Zhenhua RD., Futian, Shenzhen, China



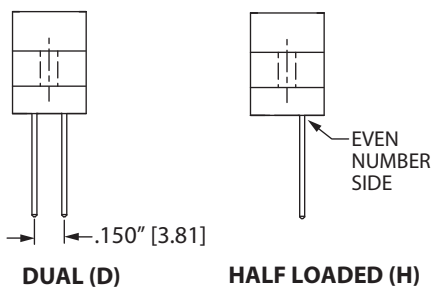
## .150" [3.81 mm] Contact Centers, .550" [13.97 mm] Insulator Height, Dip Solder/Wire Wrap

### SPECIFICATIONS

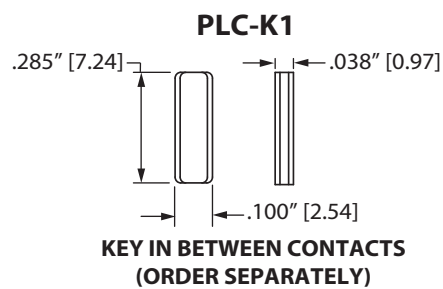
- Accommodates .062" ± .008" [1.57 mm ± 0.20 mm] PC board
- PBT, PPS or PA9T insulator
- Molded-in key available
- 3 Amps current rating for one contact energized
- 30 milli Ohms maximum at rated current
- UL Flammability Rating: 94V-0



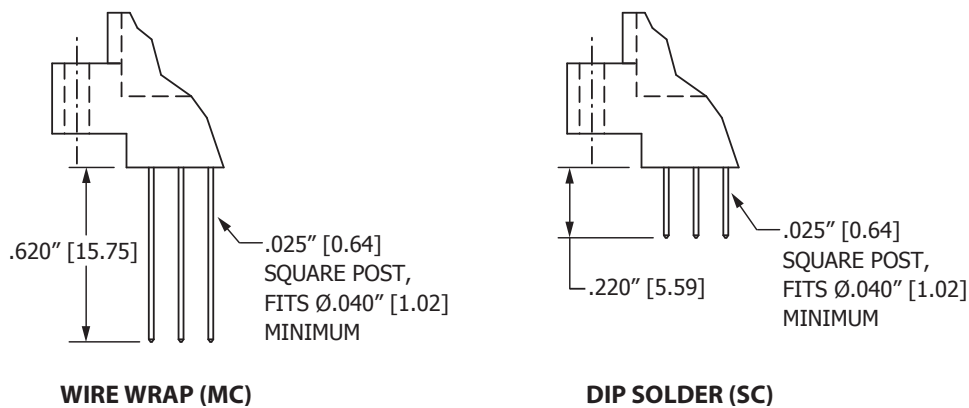
### READOUT



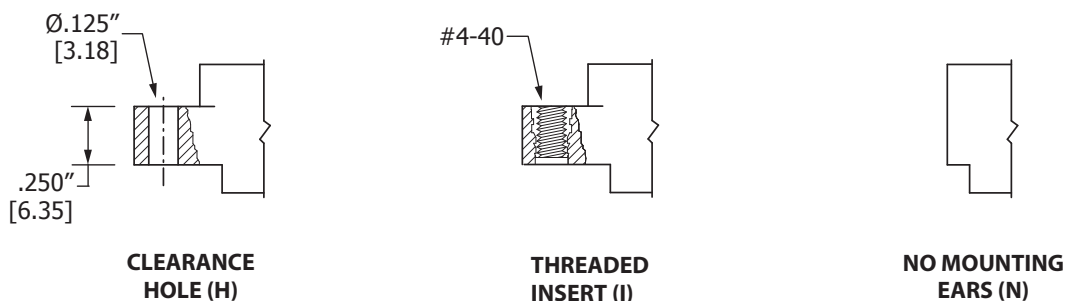
### POLARIZING KEY



### TERMINATION TYPE



### MOUNTING STYLE



Female Card Edge



**.150" [3.81 mm] Contact Centers, .550" [13.97 mm] Insulator Height, Dip Solder/Wire Wrap**

### PART NUMBER OPTIONS

**E B J 26 D MC H - Sxxx**

**MATERIALS (INSULATOR/CONTACT)**  
 E = PBT/Phosphor Bronze (Standard)  
 R = PPS/Phosphor Bronze  
 G = PA9T/Phosphor Bronze  
 (Consult factory for other materials.)  
 Refer to Page 7 for Operating/Processing Temperatures

**CONTACT FINISH - RoHS Compliant**  
 All platings are Lead Free and have .000050" Nickel underplate

Contact Surface	Termination
B = .000010" Gold	.000100" Pure Tin, Matte
C = .000030" Gold	.000100" Pure Tin, Matte

**CONTACT CENTERS**  
 J = .150" [3.81 mm]

**NUMBER OF CONTACT POSITIONS**  
 See Chart Below

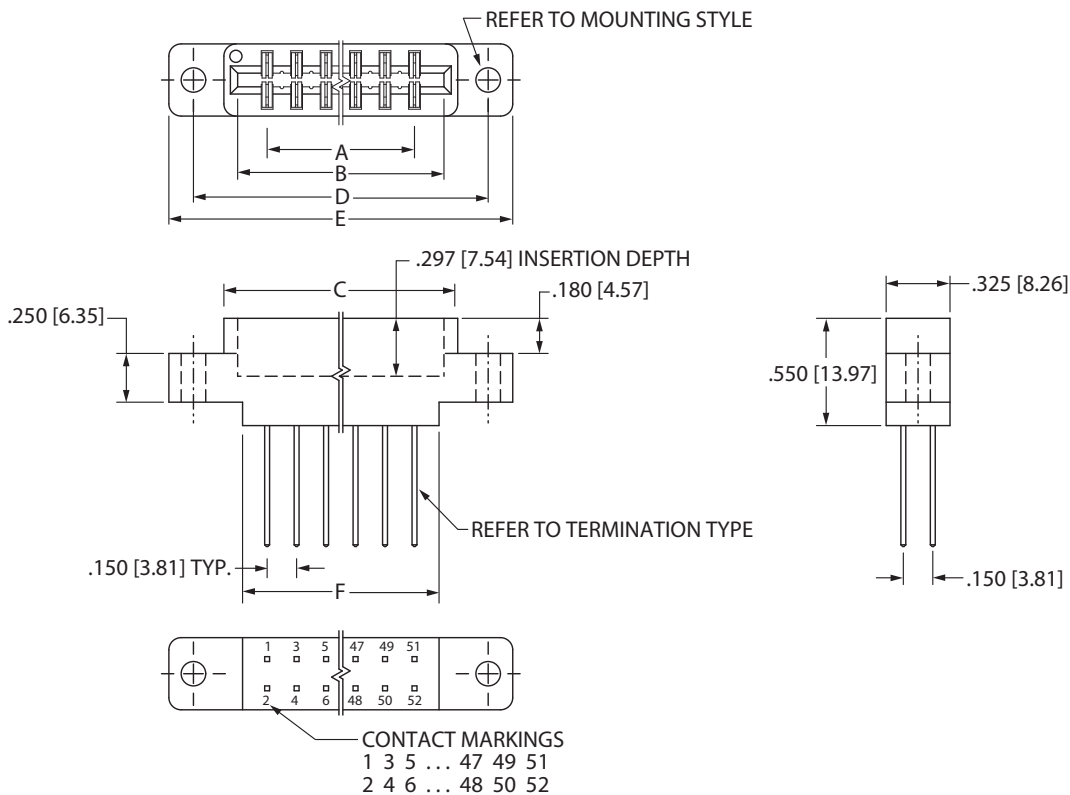
**MODIFICATION CODE (Consult Factory)**  
 OMIT FOR STANDARD

**MOUNTING STYLE (Opposite Page)**  
 H = Clearance Holes  
 I = Threaded Inserts  
 N = No Mounting

**TERMINATION TYPE (Opposite Page)**  
**Hairpin Bellows**  
 MC = .025" [0.64 mm] Square Wire Wrap  
 SC = .025" [0.64 mm] Square Dip Solder

**READOUT (Opposite Page)**  
 D = Dual  
 H = Half Loaded

### DIMENSIONS Dimensions in [ ] are in millimeters, all others are in inches.



Tolerances on non-critical dimensions may vary slightly due to shrinkage differential per insulator material; Consult factory.

POSITIONS/ CONTACTS	INCHES						MILLIMETERS					
	A±.008	B±.008	C±.015	D±.010	E±.020	F±.015	A±0.20	B±0.20	C±0.38	D±0.25	E±0.51	F±0.38
12/24	1.650	1.950	2.090	2.400	2.650	1.900	41.91	49.53	53.09	60.96	67.31	48.26
18/36*	2.550	2.850	2.990	3.300	3.550	2.800	64.77	72.39	75.95	83.82	90.17	71.12
22/44*	3.150	3.450	3.590	3.900	4.150	3.400	80.01	87.63	91.19	99.06	105.41	86.36
26/52	3.750	4.050	4.190	4.500	4.750	4.000	95.25	102.87	106.43	114.30	120.65	101.60
28/56*	4.050	4.350	4.490	4.800	5.050	4.300	102.87	110.49	114.05	121.92	128.27	109.22

\* Consult factory for availability.