



Chipsmall Limited consists of a professional team with an average of over 10 year of expertise in the distribution of electronic components. Based in Hongkong, we have already established firm and mutual-benefit business relationships with customers from,Europe,America and south Asia,supplying obsolete and hard-to-find components to meet their specific needs.

With the principle of "Quality Parts,Customers Priority,Honest Operation,and Considerate Service",our business mainly focus on the distribution of electronic components. Line cards we deal with include Microchip,ALPS,ROHM,Xilinx,Pulse,ON,Everlight and Freescale. Main products comprise IC,Modules,Potentiometer,IC Socket,Relay,Connector.Our parts cover such applications as commercial,industrial, and automotives areas.

We are looking forward to setting up business relationship with you and hope to provide you with the best service and solution. Let us make a better world for our industry!



Contact us

Tel: +86-755-8981 8866 Fax: +86-755-8427 6832

Email & Skype: info@chipsmall.com Web: www.chipsmall.com

Address: A1208, Overseas Decoration Building, #122 Zhenhua RD., Futian, Shenzhen, China

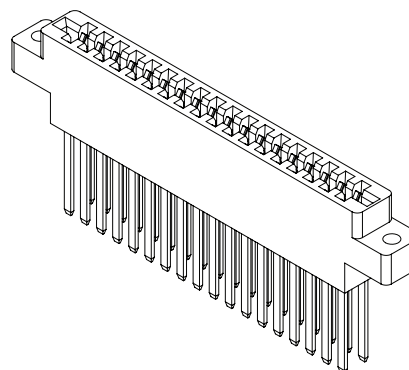




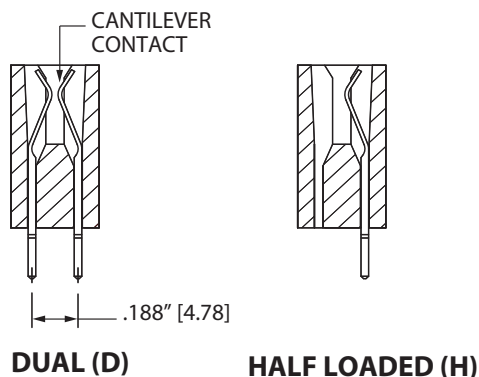
.156" [3.96 mm] Contact Centers, .720" [18.29 mm] Insulator Height, .045" [1.14 mm] square / .031" [0.79 mm] X .062" [1.57 mm] Wire Wrap

SPECIFICATIONS

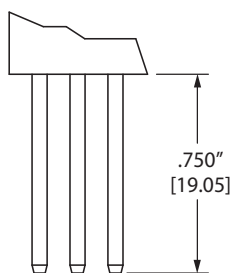
- Accommodates .062" ± .008" [1.57 mm ± 0.20 mm] PC board
- PBT insulator
- Molded-in key available
- 3 Amps current rating per contact for contacts fully energized (for 5 Amps application, consult factory)
- 30 milli Ohms maximum at rated current
- UL Flammability Rating: 94V-0



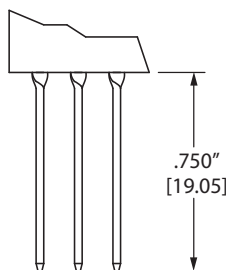
READOUT



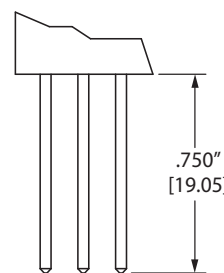
TERMINATION TYPE



.062" X .031" [1.57 X 0.79] POSTS, (KK)

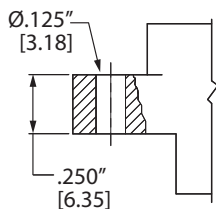


.031" X .062" [0.79 X 1.57] 90° TWISTED POSTS, (KL)



.045" [1.14] SQUARE POSTS (WW)

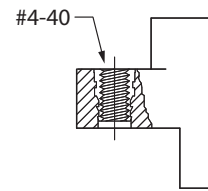
MOUNTING STYLE



CLEARANCE HOLE (H)



NO MOUNTING EARS (N)



THREADED INSERT (I)



.156" [3.96 mm] Contact Centers, .720" [18.29 mm] Insulator Height, .045" [1.14 mm] square / .031" [0.79 mm] X .062" [1.57 mm] Wire Wrap

PART NUMBER OPTIONS

MATERIALS (INSULATOR/CONTACT)

E = PBT/Phosphor Bronze (Standard)
(Consult factory for other materials.)
Refer to Page 7 for Operating/Processing Temperatures

CONTACT FINISH - RoHS Compliant

All platings are Lead Free and have .000050" Nickel underplate

Contact Surface	Termination
B = .000010" Gold	.000100" Pure Tin, Matte
C = .000030" Gold	.000100" Pure Tin, Matte
G = .000010" Gold	.000005" Gold
Y = .000030" Gold	.000005" Gold
Contact Surface	Overall Plating
S = .000010" Gold	.000010" Gold
M = .000030" Gold	.000010" Gold
E = .000100" Pure Tin, Matte	.000100" Pure Tin, Matte

CONTACT CENTERS

M = .156" [3.96 mm]

E B M 43 D KK H - Sxxx

MODIFICATION CODE (Consult Factory)

OMIT FOR STANDARD

MOUNTING STYLE (Opposite page)

- H = Clearance Hole
- N = No Mounting
- I = Threaded Inserts

TERMINATION TYPE (Opposite Page)

- KK = .062" X .031" [1.57 mm X 0.79 mm] Post
- KL = .031" X .062" [0.79 mm X 1.57 mm] Post, Twisted 90°
- WW = .045" [1.14 mm] Square Post

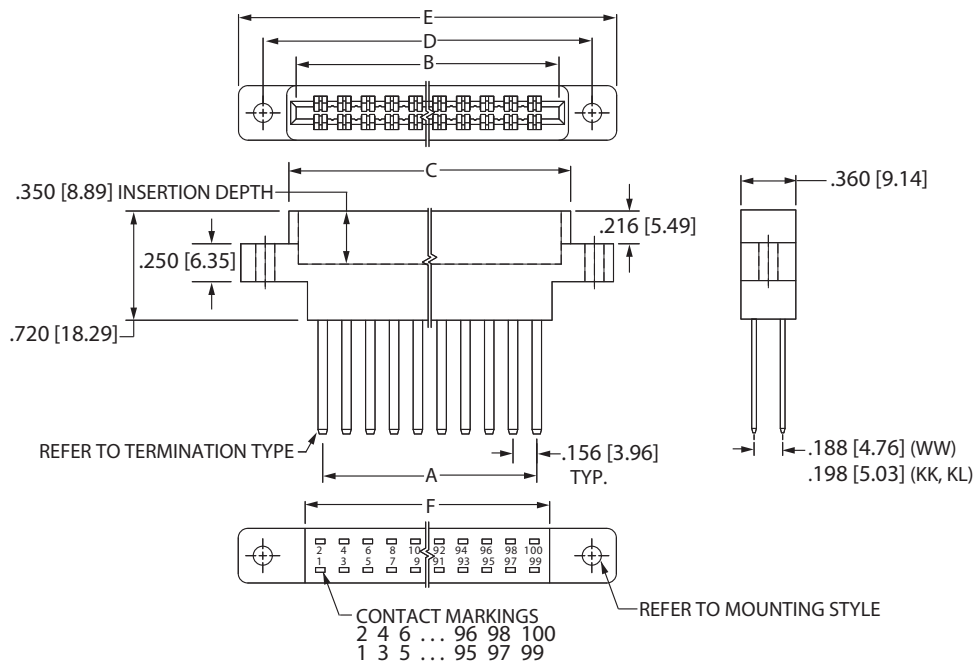
READOUT (Opposite Page)

- D = Dual Row
- H = Half Loaded

NUMBER OF CONTACT POSITIONS

See Chart Below

DIMENSIONS Dimensions in [] are in millimeters, all others are in inches.



POSITIONS/ CONTACTS	INCHES						MILLIMETERS					
	A±.008	B±.008	C±.015	D±.010	E±.020	F±.015	A±0.20	B±0.20	C±0.38	D±0.25	E±0.51	F±0.38
06/12	0.780	1.100	1.224	1.534	1.784	0.980	19.81	27.94	31.09	38.96	45.31	24.89
10/20	1.404	1.724	1.848	2.158	2.408	1.604	35.66	43.79	46.94	54.81	61.16	40.74
12/24	1.716	2.036	2.160	2.470	2.720	1.916	43.59	51.71	54.86	62.74	69.09	48.67
15/30	2.184	2.504	2.628	2.938	3.188	2.384	55.47	63.60	66.75	74.63	80.98	60.55
18/36	2.652	2.972	3.096	3.406	3.656	2.852	67.36	75.49	78.64	86.51	92.86	72.44
20/40	2.964	3.284	3.408	3.718	3.968	3.164	75.29	83.41	86.56	94.44	100.79	80.37
22/44	3.276	3.596	3.720	4.030	4.280	3.476	83.21	91.34	94.49	102.36	108.71	88.29
25/50*	3.744	4.064	4.188	4.498	4.748	3.944	95.10	103.23	106.38	114.25	120.60	100.18
28/56	4.212	4.532	4.656	4.966	5.216	4.412	106.98	115.11	118.26	126.14	132.49	112.06
30/60*	4.524	4.844	4.968	5.278	5.528	4.724	114.91	123.04	126.19	134.06	140.41	119.99
31/62*	4.680	5.000	5.124	5.434	5.684	4.880	118.87	127.00	130.15	138.02	144.37	123.95
36/72	5.460	5.780	5.904	6.214	6.464	5.660	138.68	146.81	149.96	157.84	164.19	143.76
43/86	6.552	6.872	6.996	7.306	7.556	6.752	166.42	174.55	177.70	185.57	191.92	171.50
50/100*	7.644	7.964	8.088	8.398	8.648	7.844	194.16	202.29	205.44	213.31	219.66	199.24

* Consult factory for availability.