



Chipsmall Limited consists of a professional team with an average of over 10 year of expertise in the distribution of electronic components. Based in Hongkong, we have already established firm and mutual-benefit business relationships with customers from,Europe,America and south Asia,supplying obsolete and hard-to-find components to meet their specific needs.

With the principle of “Quality Parts,Customers Priority,Honest Operation,and Considerate Service”,our business mainly focus on the distribution of electronic components. Line cards we deal with include Microchip,ALPS,ROHM,Xilinx,Pulse,ON,Everlight and Freescale. Main products comprise IC,Modules,Potentiometer,IC Socket,Relay,Connector.Our parts cover such applications as commercial,industrial, and automotives areas.

We are looking forward to setting up business relationship with you and hope to provide you with the best service and solution. Let us make a better world for our industry!



## Contact us

Tel: +86-755-8981 8866 Fax: +86-755-8427 6832

Email & Skype: info@chipsmall.com Web: www.chipsmall.com

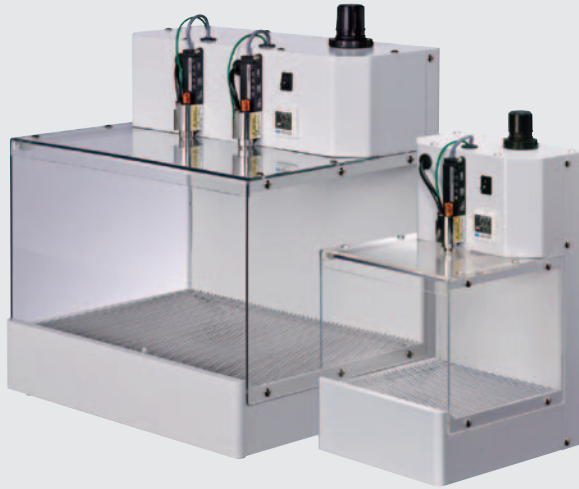
Address: A1208, Overseas Decoration Building, #122 Zhenhua RD., Futian, Shenzhen, China



# EC-B SERIES

Related Information

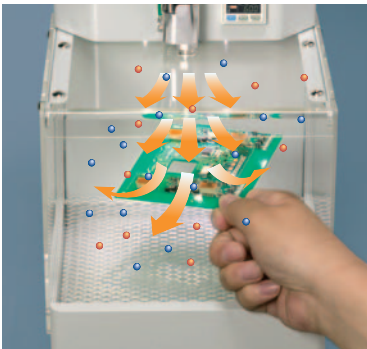
- General terms and conditions..... F-7
- Selection guide ..... P.1157~
- Glossary of terms..... P.1497
- General precautions ..... P.1501



[panasonic.net/id/pidsx/global](http://panasonic.net/id/pidsx/global)

## Compact dust collection and removal features

### Direct ion / pulsed air emission



Direct ion emission paired with pulsed air emission provides quick and effective removal of static charges along with any dust that is present on the part.

### White LED illumination



The white LED illuminates the work piece to ensure complete dust removal.

### Dust collecting fan





A powerful dust collecting fan exhausts dust quickly, preventing re-adhesion of dust.

- Dust removal and charge removal by intermittent air
- Possible to control dust removal time in timer mode
- External input allows the tool to be used in conjunction with other equipment such as a foot switch.

- FIBER SENSORS
- LASER SENSORS
- PHOTOELECTRIC SENSORS
- MICRO PHOTOELECTRIC SENSORS
- AREA SENSORS
- LIGHT CURTAINS / SAFETY COMPONENTS
- PRESSURE / FLOW SENSORS
- INDUCTIVE PROXIMITY SENSORS
- PARTICULAR USE SENSORS
- SENSOR OPTIONS
- SIMPLE WIRE- SAVING UNITS
- WIRE- SAVING SYSTEMS
- MEASUREMENT SENSORS
- STATIC ELECTRICITY PREVENTION DEVICES
- LASER MARKERS
- PLC
- HUMAN MACHINE INTERFACES
- ENERGY CONSUMPTION VISUALIZATION COMPONENTS
- FA COMPONENTS
- MACHINE VISION SYSTEMS
- UV CURING SYSTEMS
- Selection Guide
- Static Removers
- Cleaning Box
- Pulse Air-gun
- Electrostatic Sensor



**ORDER GUIDE**

Type	Appearance	Charge removal time (±1,000 V → ±100 V)	Ion balance	Model No.
200 mm <b>7.874 in</b> width type		0.5 sec. approx or less (Note)	±10 V or less	<b>EC-B01-EX</b>
400 mm <b>15.748 in</b> width type				<b>EC-B02-EX</b>

Note: Typical value at 100 mm **3.937 in** from the front of air outlet at an applied air pressure of 0.50 MPa.

**OPTIONS**

Type	Model No.	Description	
Duct flange	<b>EC-BD50</b>	For ø50 mm <b>ø1.969 in</b> duct flange	A flange that connects a duct hose for air exhaust to the <b>EC-B</b> main body
	<b>EC-BD76</b>	For ø76 mm <b>ø2.992 in</b> duct flange	
Air filter	<b>EC-BFX3</b>	For <b>EC-B01-EX</b>	Replacement filter (3 pcs. per set)
	<b>EC-B2FX3</b>	For <b>EC-B02-EX</b>	
Spot nozzle	<b>EC-BAS</b>	Exclusive nozzle for <b>EC-B02-EX</b>	Ionized air can be collected around the center. (2 pcs. per set)

**SPECIFICATIONS**

Item	Type	200 mm <b>7.874 in</b> width type	400 mm <b>15.748 in</b> width type
	Model No.	<b>EC-B01-EX</b>	<b>EC-B02-EX</b>
Charge removal time (±1,000 V → ±100 V)		0.5 sec. approx. or less (Note 2)	
Ion balance		±10 V or less	
Applicable fluid		Air (dried clean air)	
Supplied air flow		Max. 300 l/min. (ANR) or less	Max. 500 l/min. (ANR) or less
Air pressure range		0.05 to 0.50 MPa	
Power supply voltage		Accessory AC adapter (Note 3) INPUT: 100 to 240 V AC ±10 % 50/60 Hz (OUTPUT: 24 V DC)	
Power consumption		80 VA or less	90 VA or less
Dust removal operation output		Photocoupler output / Universal • Max sink current: 100 mA • Residual voltage: 2.5 V or less (at sink current of 100 mA or less)	
	Output operation	During dust removal operation: ON, during standby: OFF	
External input		0 V short-circuit: Input received	
Timer mode		2 sec. / 5 sec. / 10 sec. / synchronized with sensor or with external input selectable by switch	
Pulse air mode		Pulse 1 (long) / Pulse 2 (short) / OFF (continuous) selectable by switch	
Ambient temperature		0 to +40 °C <b>+32 to +104 °F</b>	
Ambient humidity		35 % to 65 % RH (No dew condensation)	
Enclosure earthing method		C (capacitor) earth	
Net weight		Main body: 6.5 kg approx.	Main body: 13 kg approx.
Accessories		AC adapter: 1pc., Filter: 1pc., Protective mesh: 1pc.	

Notes: 1) Where measurement conditions have not been specified precisely, the conditions used were an ambient temperature of +20 °C **+68 °F**.

2) Typical value at 100 mm **3.937 in** from the front of air outlet at an applied air pressure of 0.50 MPa.

3) Please prepare an AC cable separately as it is needed. The following cables are available as optionals: **CN-ACCN-C2**: AC cable (conforming to CCC), **CN-ACKR-C2**: AC cable (conforming to KTL)

FIBER  
SENSORSLASER  
SENSORSPHOTO-  
ELECTRIC  
SENSORSMICRO  
PHOTO-  
ELECTRIC  
SENSORSAREA  
SENSORSLIGHT  
CURTAINS /  
SAFETY  
COMPONENTSPRESSURE /  
FLOW  
SENSORSINDUCTIVE  
PROXIMITY  
SENSORSPARTICULAR  
USE  
SENSORSSENSOR  
OPTIONSSIMPLE  
WIRE-SAVING  
UNITSWIRE-SAVING  
SYSTEMSMEASURE-  
MENT  
SENSORSSTATIC  
ELECTRICITY  
PREVENTION  
DEVICESLASER  
MARKERS

PLC

HUMAN  
MACHINE  
INTERFACESENERGY  
CONSUMPTION  
VISUALIZATION  
COMPONENTSFA  
COMPONENTSMACHINE  
VISION  
SYSTEMSUV  
CURING  
SYSTEMSSelection  
GuideStatic  
RemoversCleaning  
BoxPulse  
Air-gunElectrostatic  
Sensor**EC-B**

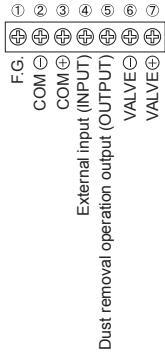
- FIBER SENSORS
- LASER SENSORS
- PHOTO-ELECTRIC SENSORS
- MICRO PHOTO-ELECTRIC SENSORS
- AREA SENSORS
- LIGHT CURTAINS / SAFETY COMPONENTS
- PRESSURE / FLOW SENSORS
- INDUCTIVE PROXIMITY SENSORS
- PARTICULAR USE SENSORS
- SENSOR OPTIONS
- SIMPLE WIRE- SAVING UNITS
- WIRE- SAVING SYSTEMS
- MEASURE- MENT SENSORS
- STATIC ELECTRICITY PREVENTION DEVICES
- LASER MARKERS
- PLC
- HUMAN MACHINE INTERFACES
- ENERGY CONSUMPTION VISUALIZATION COMPONENTS
- FA COMPONENTS
- MACHINE VISION SYSTEMS
- UV CURING SYSTEMS
- Selection Guide
- Static Removers
- Cleaning Box
- Pulse Air-gun
- Electrostatic Sensor

## I/O CIRCUIT DIAGRAMS

### EC-B01-EX

Cleaning box

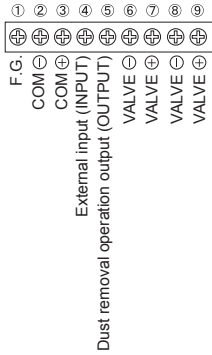
•Terminal block diagram



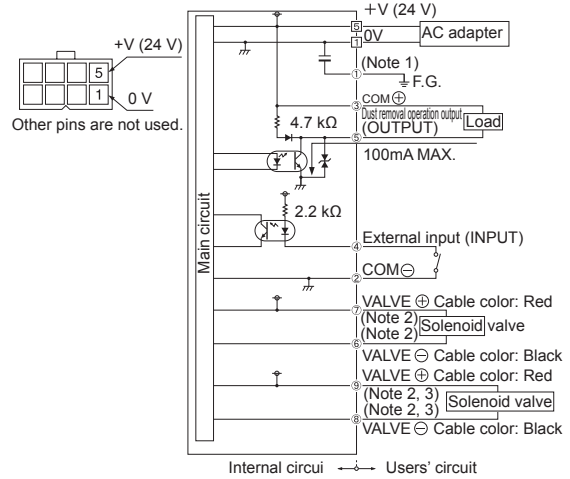
### EC-B02-EX

Cleaning box

•Terminal block diagram



•Pin layout for AC adapter power supply connector



- Notes:
- 1) The F.G. terminal has continuity with the enclosure.
  - 2) This terminal is for the solenoid valve only. Do not connect any line to it other than the power supply line for the solenoid valve.
  - 3) The **EC-B01-EX** has 7 terminals, and the **EC-B02-EX** has 9 terminals.

## PRECAUTIONS FOR PROPER USE

Refer to p.1501 for general precautions.



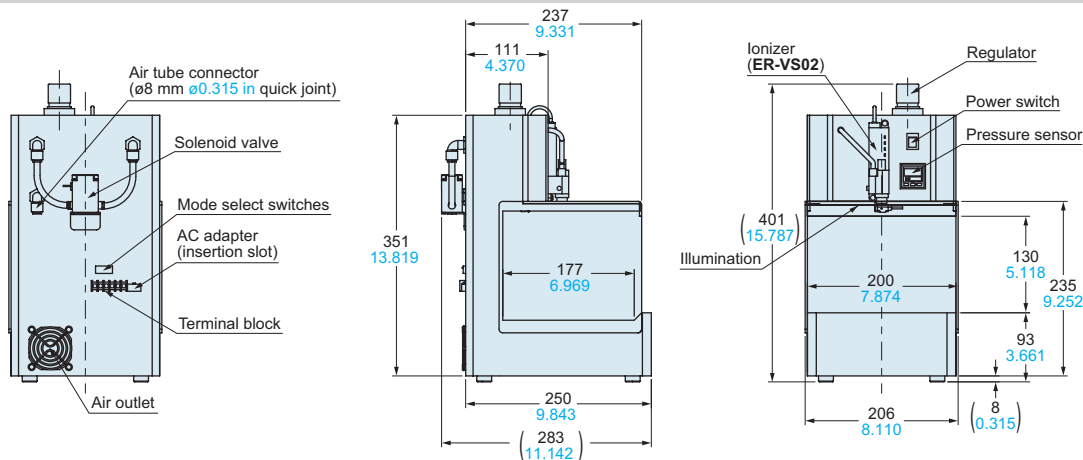
- Never use this product in a device for personnel protection.
- In case of using sensing devices for personnel protection, use products which meet laws and standards, such as OSHA, ANSI or IEC etc., for personnel protection applicable in each region or country.
- Do not use this product in places where there may be danger of flammable or combustible items being present.

**DIMENSIONS (Unit: mm in)**

The CAD data in the dimensions can be downloaded from our website.

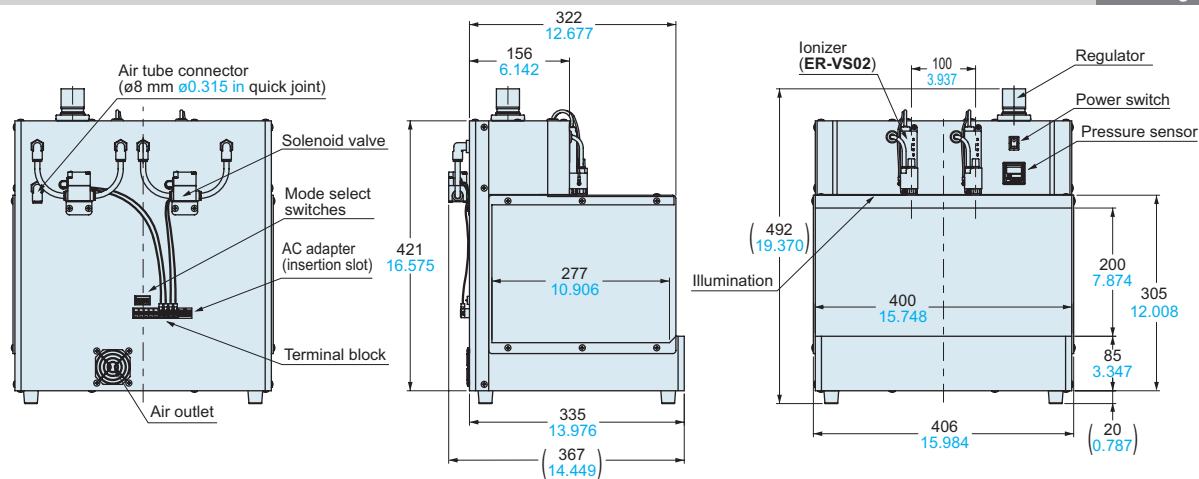
**EC-B01-EX**

Cleaning box



**EC-B02-EX**

Cleaning box



FIBER SENSORS

LASER SENSORS

PHOTO-ELECTRIC SENSORS

MICRO PHOTO-ELECTRIC SENSORS

AREA SENSORS

LIGHT CURTAINS / SAFETY COMPONENTS

PRESSURE / FLOW SENSORS

INDUCTIVE PROXIMITY SENSORS

PARTICULAR USE SENSORS

SENSOR OPTIONS

SIMPLE WIRE-SAVING UNITS

WIRE-SAVING SYSTEMS

MEASUREMENT SENSORS

STATIC ELECTRICITY PREVENTION DEVICES

LASER MARKERS

PLC

HUMAN MACHINE INTERFACES

ENERGY CONSUMPTION VISUALIZATION COMPONENTS

FA COMPONENTS

MACHINE VISION SYSTEMS

UV CURING SYSTEMS

Selection Guide

Static Removers

Cleaning Box

Pulse Air-gun

Electrostatic Sensor

**EC-B**