



Chipsmall Limited consists of a professional team with an average of over 10 year of expertise in the distribution of electronic components. Based in Hongkong, we have already established firm and mutual-benefit business relationships with customers from,Europe,America and south Asia,supplying obsolete and hard-to-find components to meet their specific needs.

With the principle of “Quality Parts,Customers Priority,Honest Operation,and Considerate Service”,our business mainly focus on the distribution of electronic components. Line cards we deal with include Microchip,ALPS,ROHM,Xilinx,Pulse,ON,Everlight and Freescale. Main products comprise IC,Modules,Potentiometer,IC Socket,Relay,Connector.Our parts cover such applications as commercial,industrial, and automotives areas.

We are looking forward to setting up business relationship with you and hope to provide you with the best service and solution. Let us make a better world for our industry!



Contact us

Tel: +86-755-8981 8866 Fax: +86-755-8427 6832

Email & Skype: info@chipsmall.com Web: www.chipsmall.com

Address: A1208, Overseas Decoration Building, #122 Zhenhua RD., Futian, Shenzhen, China



EC-G02

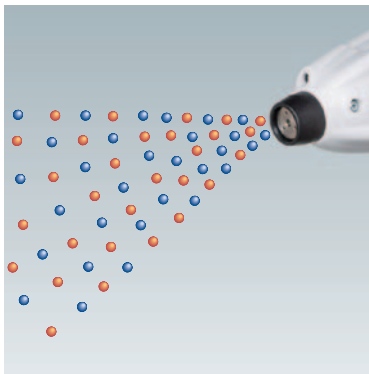
Related Information

- General terms and conditions..... F-7
- Selection guide P.1157~
- Glossary of terms..... P.1497
- General precautions P.1501



Air-gun type ionizer that can remove dust in a single burst using pulsed air

Direct ionized air emission



Direct emission of ionized air removes electrification on charged object swiftly.

Pulse ionized air



Instant pulse air emission with high air pressure removes dust all at once.

White LED illumination



The white LED illuminates on the target object.

External input incorporated


External input allows the tool to be used in conjunction with other equipment such as a foot switch.

Oil-free compatible

All components on the air path (air outlet, solenoid valve, joint, etc.) are suitable for use in oil-free environments.

- FIBER SENSORS
- LASER SENSORS
- PHOTOELECTRIC SENSORS
- MICRO PHOTOELECTRIC SENSORS
- AREA SENSORS
- LIGHT CURTAINS / SAFETY COMPONENTS
- PRESSURE / FLOW SENSORS
- INDUCTIVE PROXIMITY SENSORS
- PARTICULAR USE SENSORS
- SENSOR OPTIONS
- SIMPLE WIRE-SAVING UNITS
- WIRE-SAVING SYSTEMS
- MEASUREMENT SENSORS
- STATIC ELECTRICITY PREVENTION DEVICES
- LASER MARKERS
- PLC
- HUMAN MACHINE INTERFACES
- ENERGY CONSUMPTION VISUALIZATION COMPONENTS
- FA COMPONENTS
- MACHINE VISION SYSTEMS
- UV CURING SYSTEMS
- Selection Guide
- Static Removers
- Cleaning Box
- Pulse Air-gun
- Electrostatic Sensor

ORDER GUIDE

Type	Appearance	Charge removal time (±1,000 V → ±100 V)	Model No.
Gun type		0.5 sec. approx. (Note)	EC-G02

Note: Typical value for pulse air mode: CONT at 100 mm **3.937 in** from the front of discharge nozzle at an applied air pressure of 0.50 MPa.

SPECIFICATIONS

Item	Type	Gun type
Model No.	EC-G02	
Charge removal time	0.5 sec. or less approx. (±1,000 V → ±100 V) (Note 2)	
Applicable fluid	Air (dried clean air) (Note 3)	
Supplied air flow	300 l/min. (ANR) or less	
Air pressure range	0.05 to 0.50 MPa	
Supply voltage	Accessory AC adapter INPUT: 100 to 240 V AC ±10 % 50/60 Hz (OUTPUT: 24 V DC)	
Power consumption	30 VA or less	
Discharge method	High-frequency AC method	
Pulse air mode	Pulse 1 (long) / Pulse 2 (short) / CONT (continuous) selectable by switch	
LED illumination mode	ON (always ON) / SYNC (synchronized with trigger) / OFF (always OFF)	
External input	Ionized air emission operation ON / OFF using OR control with trigger switch Ionized air emission operation ON: Short-circuited to COM (-) Ionized air emission operation OFF: Open	
Ambient temperature	0 to +50 °C +32 to +122 °F (No dew condensation), AC adapter: 0 to +40 °C +32 to +104 °F	
Ambient humidity	35 to 65 % RH (No dew condensation)	
Weight	270 g approx. (main unit only)	
Accessories	<ul style="list-style-type: none"> AC adapter: 1pc. Exclusive intermediate cable (oil-resistant, heat-resistant, flexible type) length 2m 6.562 ft: 1 pc. Straight joints <ul style="list-style-type: none"> Tube outer diameter ø8-ø8mm ø0.315-ø0.315 in compatible type: 1 pc. (Note 4) Tube outer diameter ø8-ø6mm ø0.315-ø0.236 in compatible type: 1 pc. Connector connection terminal (Manufactured by Molex): 3 pcs. 	

Notes: 1) Where measurement conditions have not been specified precisely, the conditions used were an ambient temperature of +20 °C **+68 °F**.
2) Typical value for pulse air mode: CONT at 100 mm **3.937 in** from the front of discharge nozzle at an applied air pressure of 0.50 MPa.
3) Dried clean air is the air passing through air dryer (dew point -20 °C **-4 °F** approx.) and air filter (mesh size 0.01 µm **0.0004 mil** approx.)
4) At the time of shipment from the factory, ø8-ø8 mm **ø0.315-ø0.315 in** type is attached.

PRECAUTIONS FOR PROPER USE

- This product includes precision components, so do not drop it or hit it against other objects. If this is not observed, accidents or problems with operation may occur.
- Never use this product in a device for personnel protection.
- Do not use this product in places where there may be danger of flammable or combustible items being present.
- High voltages are applied to the discharge needle, so never touch the discharge needle while the power for the product is turned on, otherwise electric shocks may result.
- Since the tip of the discharge needle is sharp, take sufficient care in handling the discharge needle, or injuries may result.
- If this product is used in an airtight room, ozone emitted from this product may be detrimental. Therefore, in order for this product to be used in an airtight room, be sure to keep the room ventilated.
- Do not direct ionized air toward the face. Ozone may cause irritation to places such as the nose and throat.
- Do not look directly into the white LED spotlight. It may cause injury to the eyes.

OPTIONS

Designation	Model No.	Description
Discharge needle	EC-GANT	For replacement (1 pc.)
Solenoid valve	EC-GAV	For replacement (1 pc.)

FIBER
SENSORSLASER
SENSORSPHOTO-
ELECTRIC
SENSORSMICRO
PHOTO-
ELECTRIC
SENSORSAREA
SENSORSLIGHT
CURTAINS /
SAFETY
COMPONENTSPRESSURE /
FLOW
SENSORSINDUCTIVE
PROXIMITY
SENSORSPARTICULAR
USE
SENSORSSENSOR
OPTIONSSIMPLE
WIRE-SAVING
UNITSWIRE-SAVING
SYSTEMSMEASURE-
MENT
SENSORSSTATIC
ELECTRICITY
PREVENTION
DEVICESLASER
MARKERS

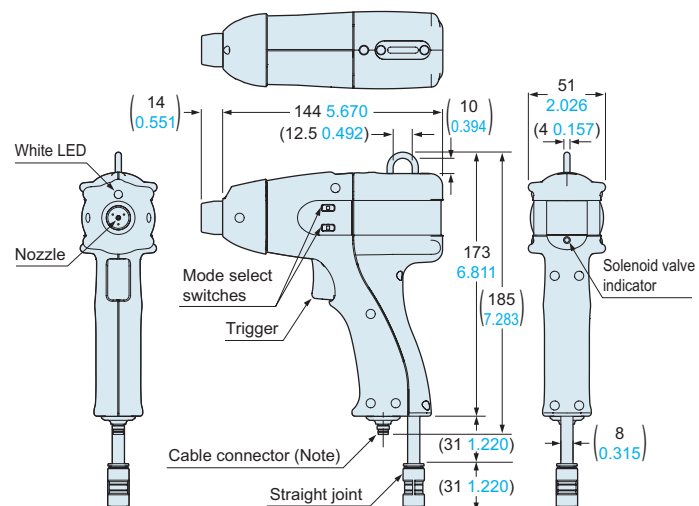
PLC

HUMAN
MACHINE
INTERFACESENERGY
CONSUMPTION
VISUALIZATION
COMPONENTSFA
COMPONENTSMACHINE
VISION
SYSTEMSUV
CURING
SYSTEMS**DIMENSIONS (Unit: mm in)**

The CAD data in the dimensions can be downloaded from our website.

EC-G02

ionizer main unit



Note: An exclusive intermediate cable (oil-resistant, heat-resistant, flexible type, ø3.7 mm **ø0.146 in**, 2 m **6.562 ft** long) is attached.

Selection
GuideStatic
RemoversCleaning
BoxPulse
Air-gunElectrostatic
Sensor**EC-G02**