



Chipsmall Limited consists of a professional team with an average of over 10 year of expertise in the distribution of electronic components. Based in Hongkong, we have already established firm and mutual-benefit business relationships with customers from,Europe,America and south Asia,supplying obsolete and hard-to-find components to meet their specific needs.

With the principle of “Quality Parts,Customers Priority,Honest Operation,and Considerate Service”,our business mainly focus on the distribution of electronic components. Line cards we deal with include Microchip,ALPS,ROHM,Xilinx,Pulse,ON,Everlight and Freescale. Main products comprise IC,Modules,Potentiometer,IC Socket,Relay,Connector.Our parts cover such applications as commercial,industrial, and automotives areas.

We are looking forward to setting up business relationship with you and hope to provide you with the best service and solution. Let us make a better world for our industry!



## Contact us

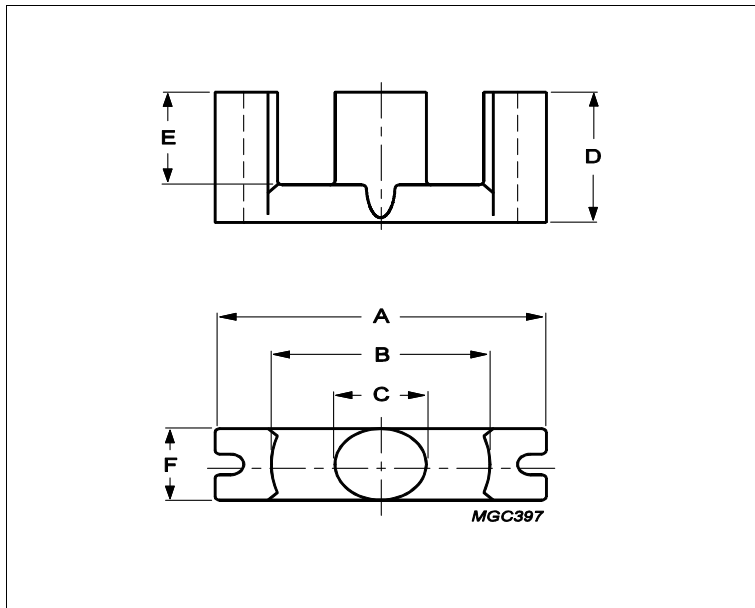
Tel: +86-755-8981 8866 Fax: +86-755-8427 6832

Email & Skype: info@chipsmall.com Web: www.chipsmall.com

Address: A1208, Overseas Decoration Building, #122 Zhenhua RD., Futian, Shenzhen, China



## Core **EC41/19/12**



Effective parameters			
	Parameter	Value	Unit
$\Sigma(I/A)$	core factor (C1)	0.735	mm <sup>-1</sup>
<b>Ve</b>	effective volume	10800	mm <sup>3</sup>
<b>Le</b>	effective length	89.3	mm
<b>Ae</b>	effective area	121	mm <sup>2</sup>
<b>Amin</b>	minimum area	106	mm <sup>2</sup>
<b>m</b>	EC41/19/12	≈ 30	g/pcs

Dimensions for product: EC41/19/12						
	Nom	Tol +	Tol -	Max	Min	Unit
<b>A</b>					41.60	mm
<b>B</b>	27.05	0.80	0.80	27.85	26.25	mm
<b>C</b>	11.60	0.30	0.30	11.90	11.30	mm
<b>D</b>	19.50	0.15	0.15	19.65	19.35	mm
<b>E</b>	13.90	0.40	0.40	14.30	13.50	mm
<b>F</b>	11.60	0.30	0.30	11.90	11.30	mm

Inductance factor					
Material	Value	Tol +	Tol -	Unit	
3C91	4200	25%	25%	nH/turns <sup>2</sup>	
3C94	3100	25%	25%	nH/turns <sup>2</sup>	

Power loss: 3C91					
Measuring conditions			Max	Unit	
100 kHz	200 mT	60 °C	5.400	W/set	
Power loss: 3C94					
Measuring conditions			Max	Unit	
100 kHz	200 mT	100 °C	5.400	W/set	

Bsat					
Measuring conditions			Material	Min	Unit
25 kHz	250 A/m	100 °C	3C91	320	mT
25 kHz	250 A/m	100 °C	3C94	320	mT

---

**Core EC41/19/12**

---

<b>Accessories</b>		
<b>Ordering name</b>	<b>Description</b>	<b>Ordering code</b>
BPL4-EC41	#N/D!	432202127201
CLM/U-EC41	Clump, U shape with thread	432202127191
CP-EC41-1S	Coil former, termoplastic	432202103711
PIN/H-EC	Insertable pins, horizontal	432202103741
PIN/V-EC41	Insertable pins, vertical	433500043021
PIN-EC	Insertable pins	432202103751