



Chipsmall Limited consists of a professional team with an average of over 10 year of expertise in the distribution of electronic components. Based in Hongkong, we have already established firm and mutual-benefit business relationships with customers from,Europe,America and south Asia,supplying obsolete and hard-to-find components to meet their specific needs.

With the principle of “Quality Parts,Customers Priority,Honest Operation,and Considerate Service”,our business mainly focus on the distribution of electronic components. Line cards we deal with include Microchip,ALPS,ROHM,Xilinx,Pulse,ON,Everlight and Freescale. Main products comprise IC,Modules,Potentiometer,IC Socket,Relay,Connector.Our parts cover such applications as commercial,industrial, and automotives areas.

We are looking forward to setting up business relationship with you and hope to provide you with the best service and solution. Let us make a better world for our industry!



Contact us

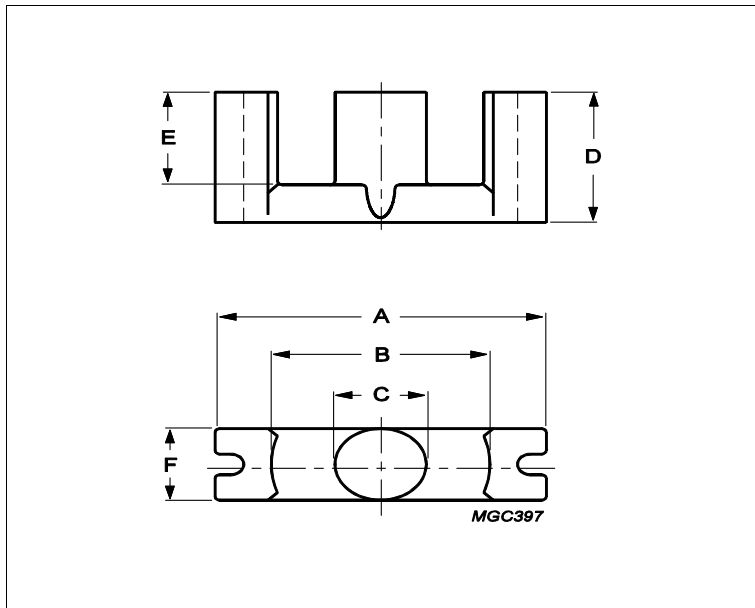
Tel: +86-755-8981 8866 Fax: +86-755-8427 6832

Email & Skype: info@chipsmall.com Web: www.chipsmall.com

Address: A1208, Overseas Decoration Building, #122 Zhenhua RD., Futian, Shenzhen, China



Core **EC52/24/14**



Effective parameters			
	Parameter	Value	Unit
$\Sigma(I/A)$	core factor (C1)	0.581	mm ⁻¹
Ve	effective volume	18800	mm ³
Le	effective length	105	mm
Ae	effective area	180	mm ²
Amin	minimum area	141	mm ²
m	EC52/24/14	≈ 56	g/pcs

Dimensions for product: EC52/24/14

	Nom	Tol +	Tol -	Max	Min	Unit
A	52.20	1.30	1.30	53.50	50.90	mm
B	33.00	0.90	0.90	33.90	32.10	mm
C	13.40	0.35	0.35	13.75	13.05	mm
D	24.20	0.15	0.15	24.35	24.05	mm
E	15.90	0.40	0.40	16.30	15.50	mm
F	13.40	0.35	0.35	13.75	13.05	mm

Inductance factor

Material	Value	Tol +	Tol -	Unit
3C91	5300	25%	25%	nH/turns ²
3C94	4000	25%	25%	nH/turns ²

Power loss: 3C91

Measuring conditions			Max	Unit
100 kHz	200 mT	60 °C	9.400	W/set

Power loss: 3C94

Measuring conditions			Max	Unit
100 kHz	200 mT	100 °C	9.400	W/set

Bsat

Measuring conditions			Material	Min	Unit
25 kHz	250 A/m	100 °C	3C91	320	mT
25 kHz	250 A/m	100 °C	3C94	320	mT

Core **EC52/24/14**

Accessories		
Ordering name	Description	Ordering code
BPL4-EC52-C	Base plate, 4 holes	432202127221
CLM/U-EC52-C	Clump, U shape with thread	432202127211
CP-EC52-1S	Coil former, termoplastic	432202103721
PIN/H-EC	Insertable pins, horizontal	432202103741
PIN/V-EC52	Insertable pins, vertical	433500043031
PIN-EC	Insertable pins	432202103751