



Chipsmall Limited consists of a professional team with an average of over 10 year of expertise in the distribution of electronic components. Based in Hongkong, we have already established firm and mutual-benefit business relationships with customers from,Europe,America and south Asia,supplying obsolete and hard-to-find components to meet their specific needs.

With the principle of "Quality Parts,Customers Priority,Honest Operation,and Considerate Service",our business mainly focus on the distribution of electronic components. Line cards we deal with include Microchip,ALPS,ROHM,Xilinx,Pulse,ON,Everlight and Freescale. Main products comprise IC,Modules,Potentiometer,IC Socket,Relay,Connector.Our parts cover such applications as commercial,industrial, and automotives areas.

We are looking forward to setting up business relationship with you and hope to provide you with the best service and solution. Let us make a better world for our industry!



## Contact us

Tel: +86-755-8981 8866 Fax: +86-755-8427 6832

Email & Skype: info@chipsmall.com Web: www.chipsmall.com

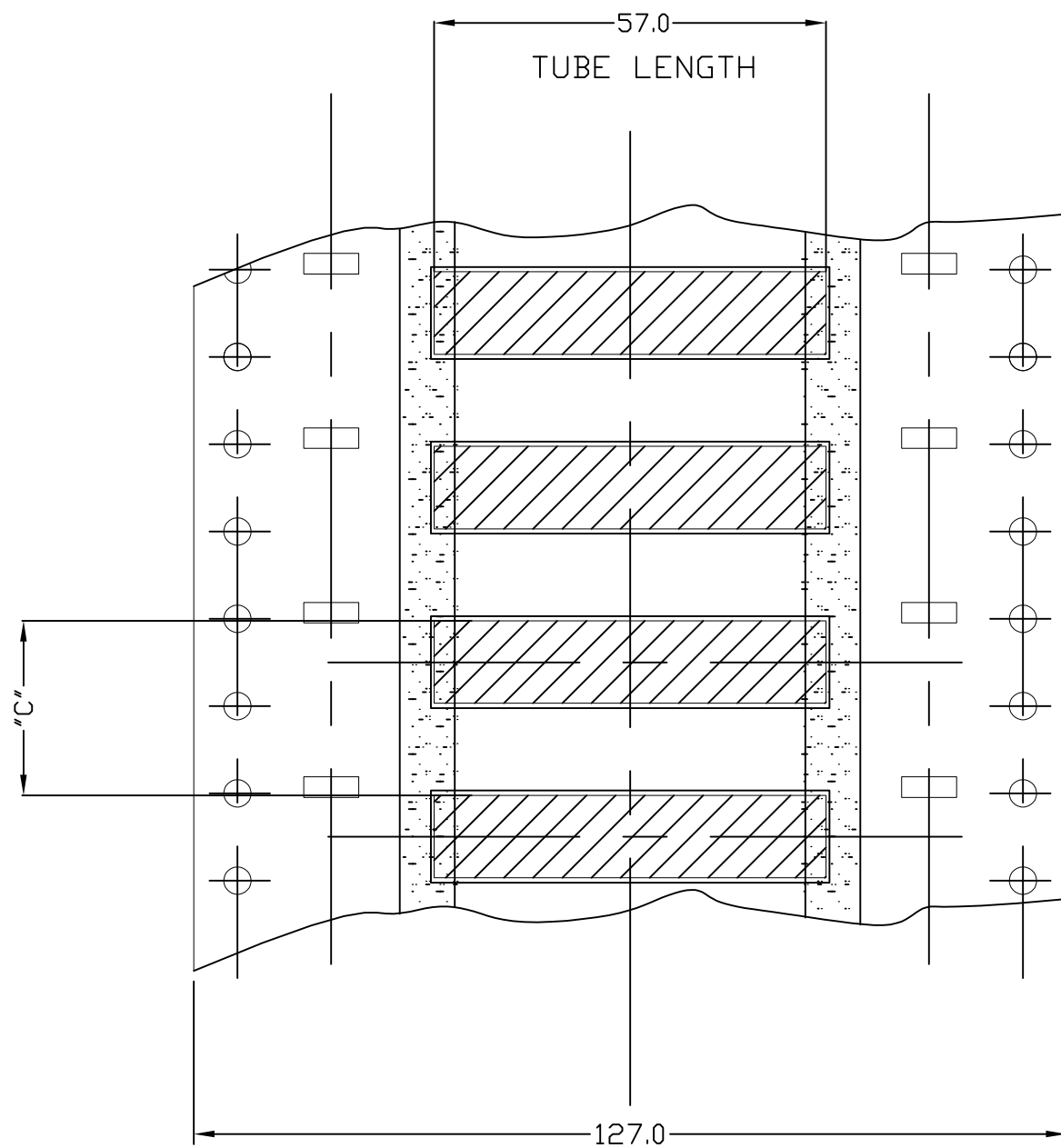
Address: A1208, Overseas Decoration Building, #122 Zhenhua RD., Futian, Shenzhen, China



THIS DRAWING IS UNPUBLISHED. RELEASED FOR PUBLICATION  
 © COPYRIGHT - TE Connectivity, SWINDON, UK ALL RIGHTS RESERVED.

LOC	DIST	REVISIONS					
		P	LTR	DESCRIPTION	DATE	DWN	APVD
-	-	1		INITIAL DRAWING	24OCT2011	AFK	MA

### LAYING DIAGRAM



PRODUCT CODE (FIRST 5 DIGITS)	MATERIAL TUBE SPACING	
	No. TUBES AT "C" PITCH	"C" TUBE POSITION PITCH
HS024 / HC024	20	12.7
HS032 / HC030	20	12.7
HS048 / HC050	20	12.7
HS064 / HC060	10	25.4
HS095 / HC090	10	25.4
HS127 / HC120	5	50.8
HS190 / HC180	5	50.8
HS254 / HC240	5	50.8
HS381 / HC390	2	127

### NOTES:-

1. NO ACCUMULATIVE PITCH ERROR THROUGH PACK IS ACCEPTABLE
2. PACKAGING AS REQUIRED

THIS DRAWING IS A CONTROLLED DOCUMENT.		DWN AFK	24OCT2011	TE Connectivity	
DIMENSIONS: mm		CHK -	APVD -		
		TOLERANCES UNLESS OTHERWISE SPECIFIED: 0 PLC ± - 1 PLC ± - 2 PLC ± 0.25 3 PLC ± - 4 PLC ± - ANGLES ± -		HSI DOT MATRIX HS/HC DOUBLE SIDED NARROW ASSEMBLY (050)	
MATERIAL IRRADIATED POLYOLEFIN		FINISH -	WEIGHT -	PRODUCT SPEC -	APPLICATION SPEC -
		CUSTOMER DRAWING	SCALE ---	SIZE A3	CAGE CODE ----
				DRAWING NO C-1900N0032	RESTRICTED TO -
				SHEET 1 OF 1	REV 1