



Chipsmall Limited consists of a professional team with an average of over 10 year of expertise in the distribution of electronic components. Based in Hongkong, we have already established firm and mutual-benefit business relationships with customers from,Europe,America and south Asia,supplying obsolete and hard-to-find components to meet their specific needs.

With the principle of “Quality Parts,Customers Priority,Honest Operation,and Considerate Service”,our business mainly focus on the distribution of electronic components. Line cards we deal with include Microchip,ALPS,ROHM,Xilinx,Pulse,ON,Everlight and Freescale. Main products comprise IC,Modules,Potentiometer,IC Socket,Relay,Connector.Our parts cover such applications as commercial,industrial, and automotives areas.

We are looking forward to setting up business relationship with you and hope to provide you with the best service and solution. Let us make a better world for our industry!



Contact us

Tel: +86-755-8981 8866 Fax: +86-755-8427 6832

Email & Skype: info@chipsmall.com Web: www.chipsmall.com

Address: A1208, Overseas Decoration Building, #122 Zhenhua RD., Futian, Shenzhen, China



Raychem**SPECIFICATION
CONTROL DRAWING**

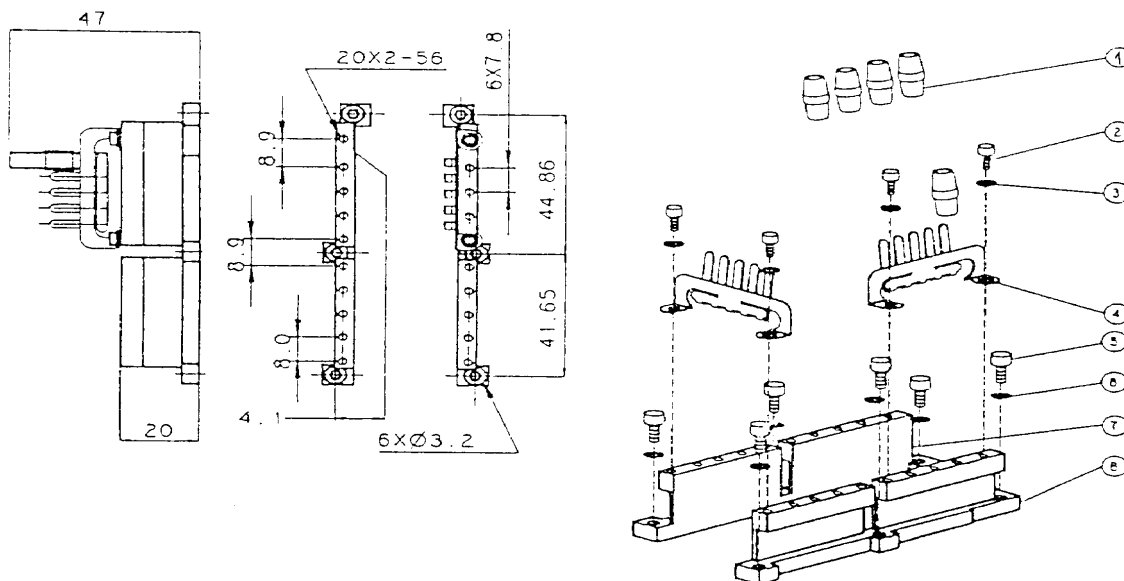
Product Name

ECA-0183

Date 6/8/99 M.Higgy

Revision D

BUSBAR KIT SIZE 2

DESCRIPTION:

- THIS ADAPTOR IS DESIGNED TO BE MOUNTED ON ARINC 600 CONNECTORS, SIZE 2 FROM ITT CANNON AND RADIAL.
 - IT MEETS THE RAYCHEM SPECIFICATION RB-110. QUALIFICATION IS PENDING.
 - BUSBAR HARDWARE: REFER TO SCD ECA-0190
- INSTALLATION:
- SEE RAYCHEM INSTALLATION PROCEDURES RPIP-696-05 AND RPIP-696-06

PLATING:

- ALUMINIUM ALLOY PARTS: ALODINE TO RAYCHEM SPEC. 4018
- STAINLESS STEEL PARTS: PASSIVATED.
- BERYLLIUM COPPER: TIN PLATED WITH Sn63Pb37

PACKAGING:

- ONE BAG CONTAINING ITEM 1
- ONE BAG CONTAINING ITEMS 2, 3, AND 4
- ONE BAG CONTAINING ITEMS 5, 6, 7, AND 8

ALL THREE BAGS PACKAGED IN A BOX WITH AN INSTALLATION PROCEDURE.

WEIGHT:

59 Grams Maximum.

8	1	RIGHT SPACER, SIZE 2	ALUMINUM ALLOY
7	1	LEFT SPACER, SIZE 2	ALUMINUM ALLOY
6	6	LOCK WASHER M3	STAINLESS STEEL
5	6	ALLEN HEAD SCREW 4-40 X 3/8	STAINLESS STEEL
4	6	BUSBAR	BERYLLIUM COPPER
3	12	LOCK WASHER M2.5	STAINLESS STEEL
2	12	ALLEN HEAD SCREW 2-56 X 3/8	STAINLESS STEEL
1	30	SOLDER SLEEVE CTA-0024	
ITEM	QTY	DESCRIPTION	MATERIAL

Dimensions are in millimeters

DRAWN

R TREADWELL

APPROVED

C HUBERT

REPLACES

Engineering

R. Treadwell

Product Manager

REV: D

APPROVED

C ROLLAND

APPROVED

B DAUVILLIERS

As this document is printed it becomes uncontrolled.
Check with the web for latest revision.

Development

Rolland

Quality Assurance

Hubert

179-1101

REVISED