



Chipsmall Limited consists of a professional team with an average of over 10 year of expertise in the distribution of electronic components. Based in Hongkong, we have already established firm and mutual-benefit business relationships with customers from,Europe,America and south Asia,supplying obsolete and hard-to-find components to meet their specific needs.

With the principle of “Quality Parts,Customers Priority,Honest Operation,and Considerate Service”,our business mainly focus on the distribution of electronic components. Line cards we deal with include Microchip,ALPS,ROHM,Xilinx,Pulse,ON,Everlight and Freescale. Main products comprise IC,Modules,Potentiometer,IC Socket,Relay,Connector.Our parts cover such applications as commercial,industrial, and automotives areas.

We are looking forward to setting up business relationship with you and hope to provide you with the best service and solution. Let us make a better world for our industry!



Contact us

Tel: +86-755-8981 8866 Fax: +86-755-8427 6832

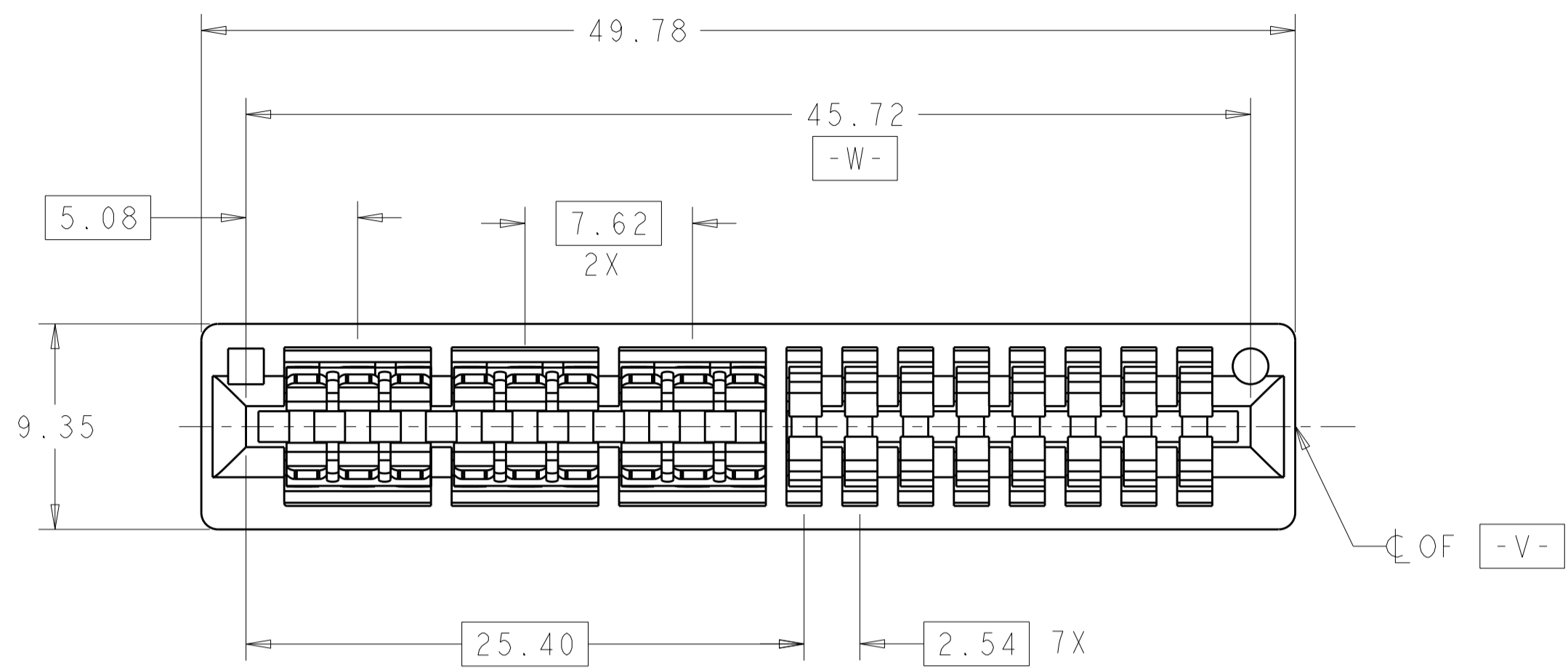
Email & Skype: info@chipsmall.com Web: www.chipsmall.com

Address: A1208, Overseas Decoration Building, #122 Zhenhua RD., Futian, Shenzhen, China

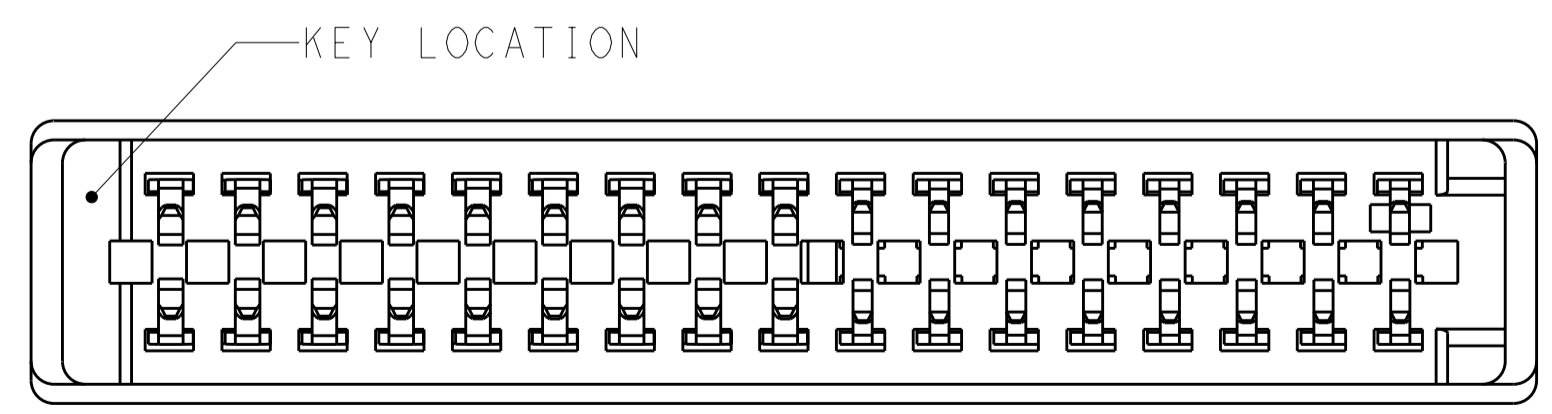
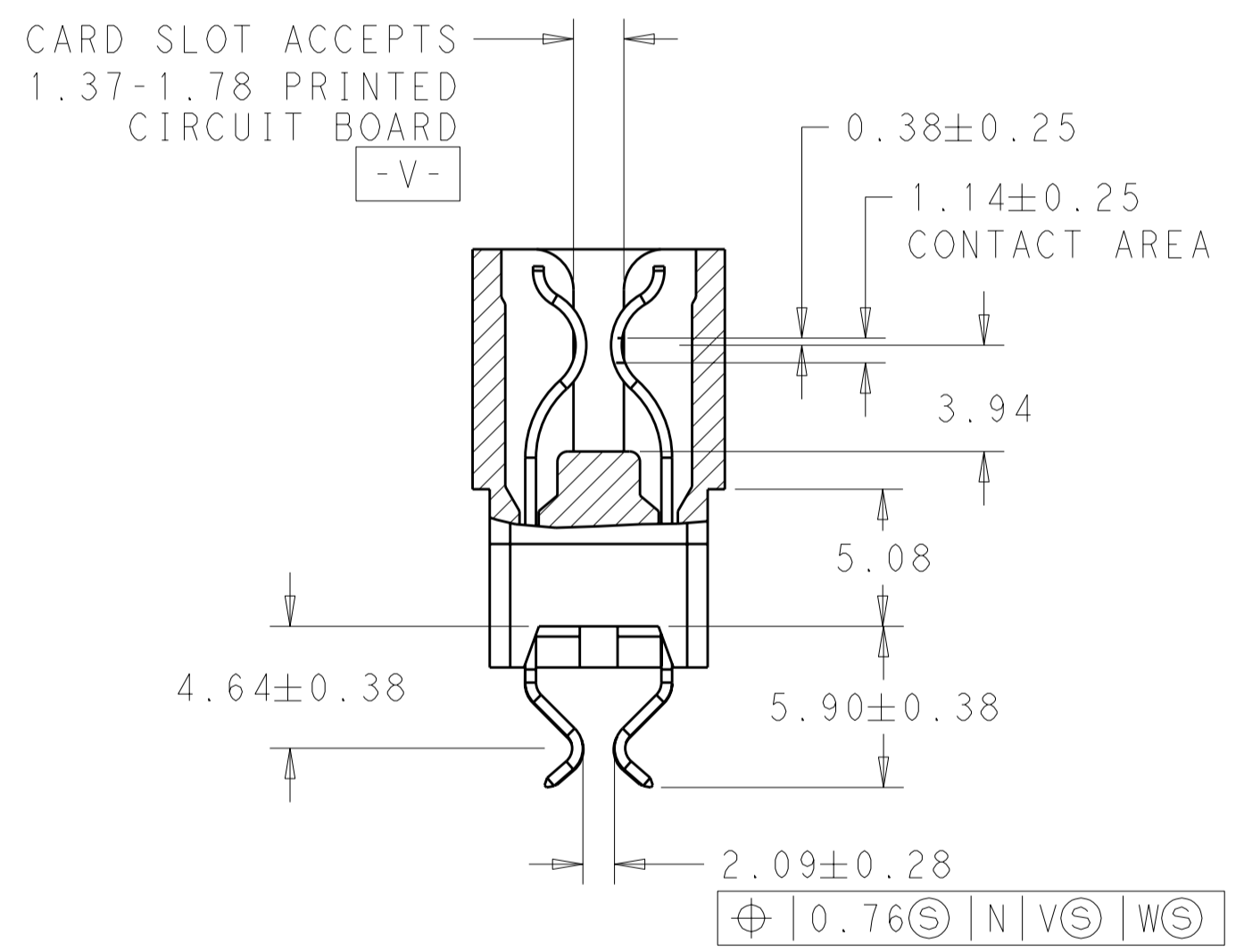
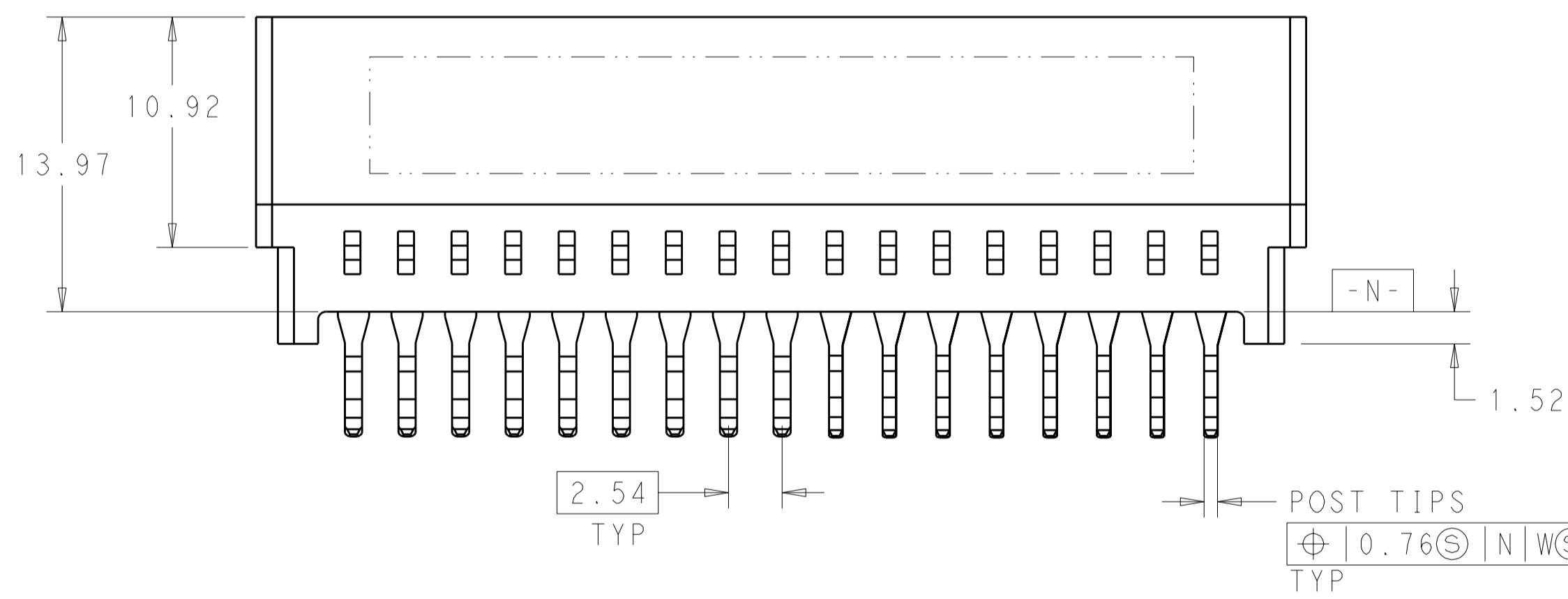


THIS DRAWING IS UNPUBLISHED. RELEASED FOR PUBLICATION 20
 © COPYRIGHT 20 BY TYCO ELECTRONICS CORPORATION. ALL INTERNATIONAL RIGHTS RESERVED.

LOC	DIST	REVISIONS					
GP	00	P	LTR	DESCRIPTION	DATE	DWN	APVD
		A		RELEASED	19MAY2010	RG	MS
		B		REV PER ECO-10-026305	21FEB2011	RG	MS



- HOUSING MATERIAL: GLASS FILLED POLYESTER, COLOR, BLACK
 - CONTACT BASE MATERIAL: HIGH CONDUCTIVITY COPPER ALLOY
 - CONTACT FINISH: NICKEL PLATE, 1.27µm MIN. ALL OVER.
 MATTE TIN PLATE, 2.54µm MIN ON SOLDER POSTS.
 GOLD PLATE, 0.76µm MIN IN MATING INTERFACE.
- ⚠ TYCO ELECTRONICS P/N AND DATE CODE MARKED IN APPROX AREA SHOWN.
 ⚠ SEE TYCO ELECTRONICS APPLICATION SPEC 114-13018 FOR ADDITIONAL PCB DETAILS.

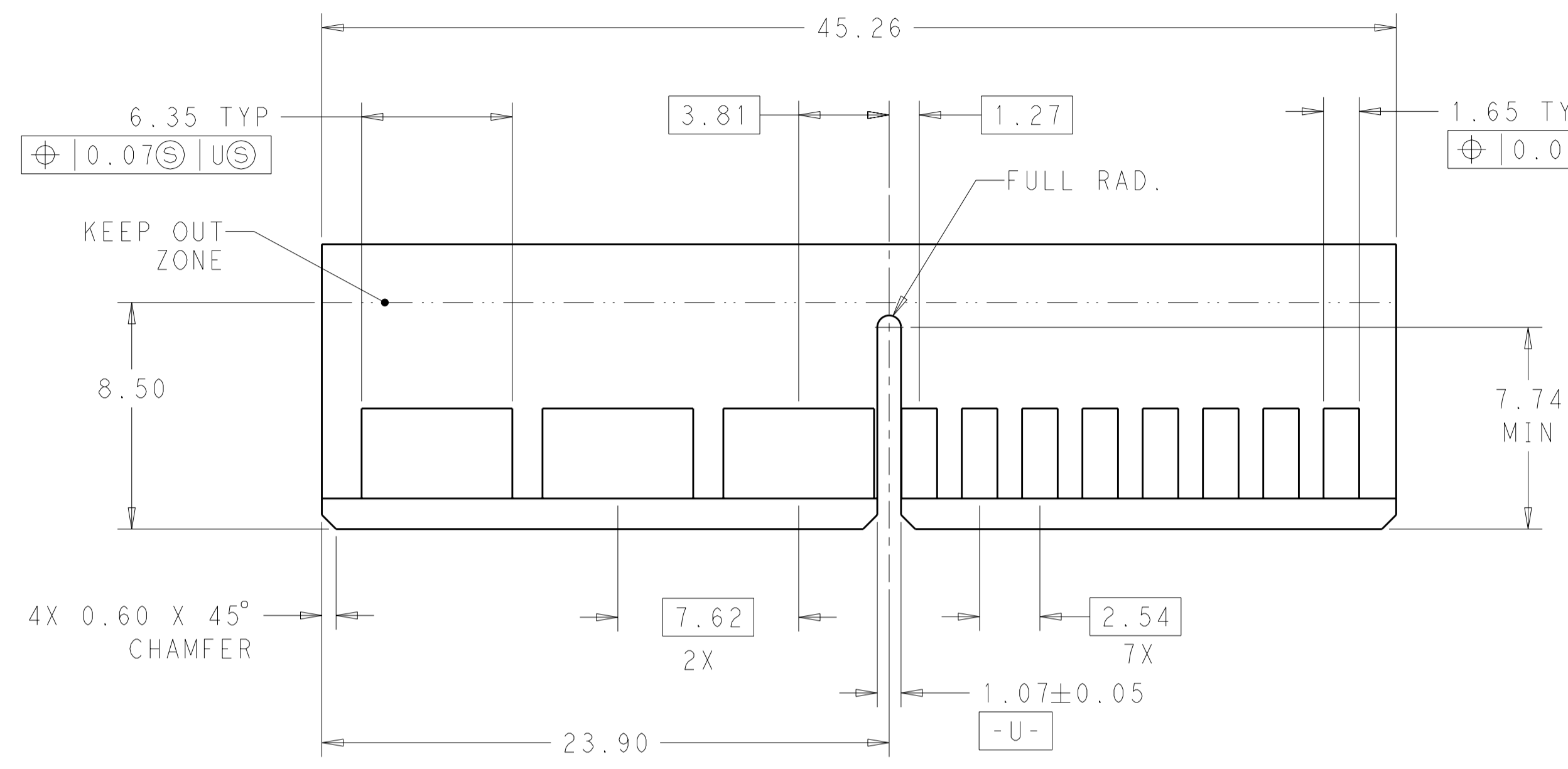


AS SHOWN	2132114-1
DESCRIPTION	PART NUMBER

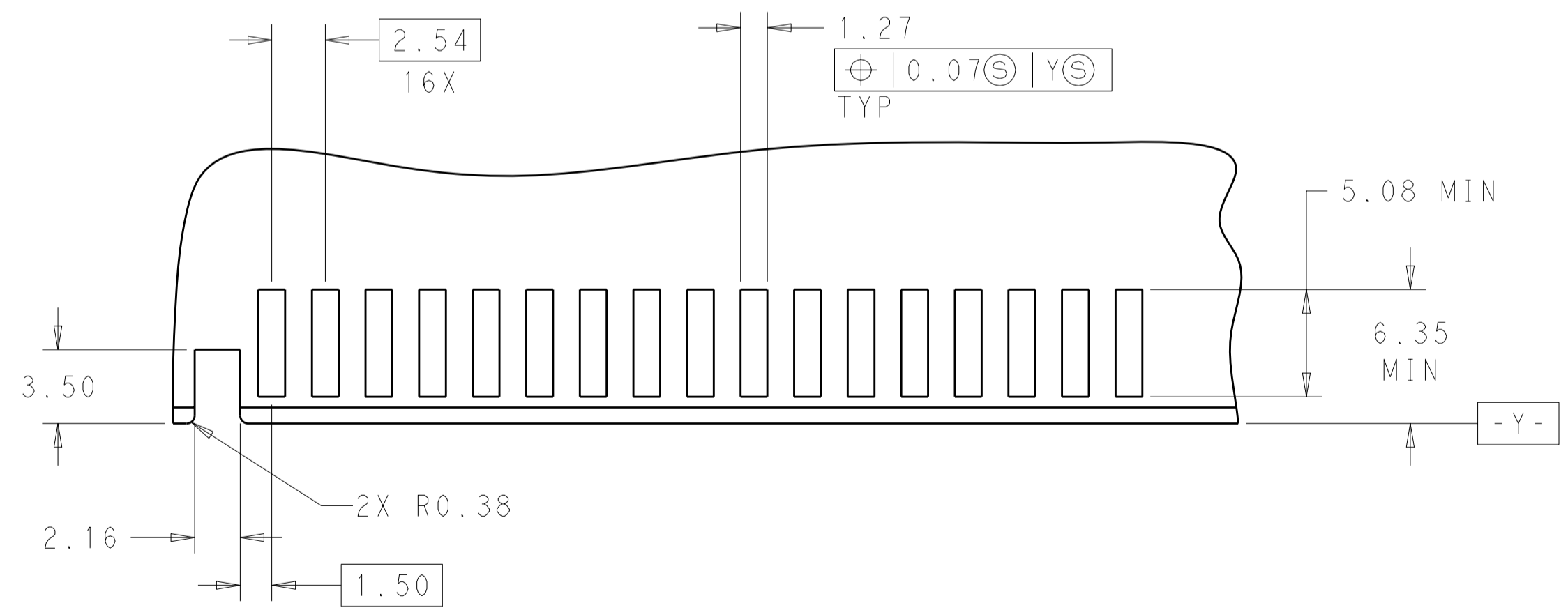
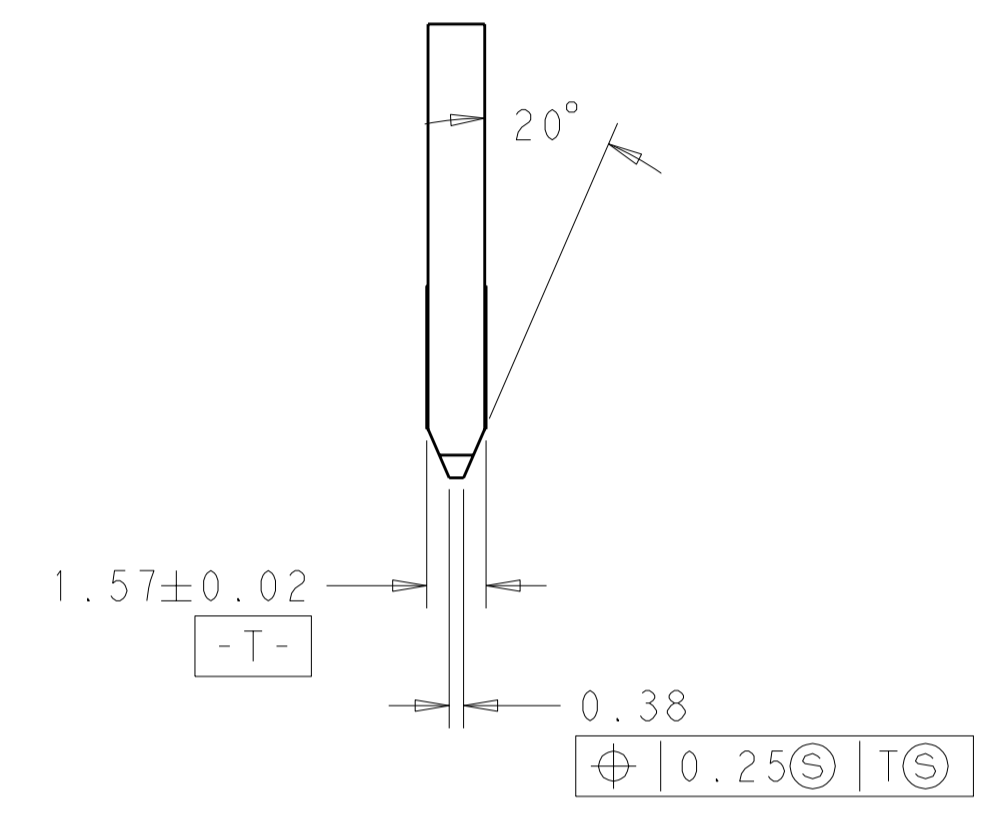
THIS DRAWING IS A CONTROLLED DOCUMENT FOR TYCO ELECTRONICS CORPORATION. IT IS SUBJECT TO CHANGE AND THE CONTROLLING ENGINEERING ORGANIZATION SHOULD BE CONTACTED FOR THE LATEST REVISION.		DWN: R. GRZYBOWSKI 18NOV2009	Tyco Electronics Harrisburg, PA 17105-3608	
DIMENSIONS: mm		CHK: E. HOWARD 18NOV2009	NAME: SURFACE MOUNT FOR CARD EDGE	
TOLERANCES UNLESS OTHERWISE SPECIFIED:		APVD: M. PERCHERKE 18NOV2009	SEC II POWER CONNECTOR, 3POW X 8SIG	
0 PLC ±0.5	1 PLC ±0.25	PRODUCT SPEC 108-2202	CARD EDGE, S/M STYLE, 2.54 MB	
2 PLC ±0.13	3 PLC ±0.13	APPLICATION SPEC 114-13018	SIZE: A2	CAGE CODE: 00779
4 PLC ±	ANGLES ±	WEIGHT: -	DRAWING NO: 2132114	RESTRICTED TO: -
FINISH		CUSTOMER DRAWING	SCALE: 4:1	SHEET 1 OF 2 REV B

THIS DRAWING IS UNPUBLISHED. RELEASED FOR PUBLICATION 20
 © COPYRIGHT 20 BY TYCO ELECTRONICS CORPORATION. ALL INTERNATIONAL RIGHTS RESERVED.

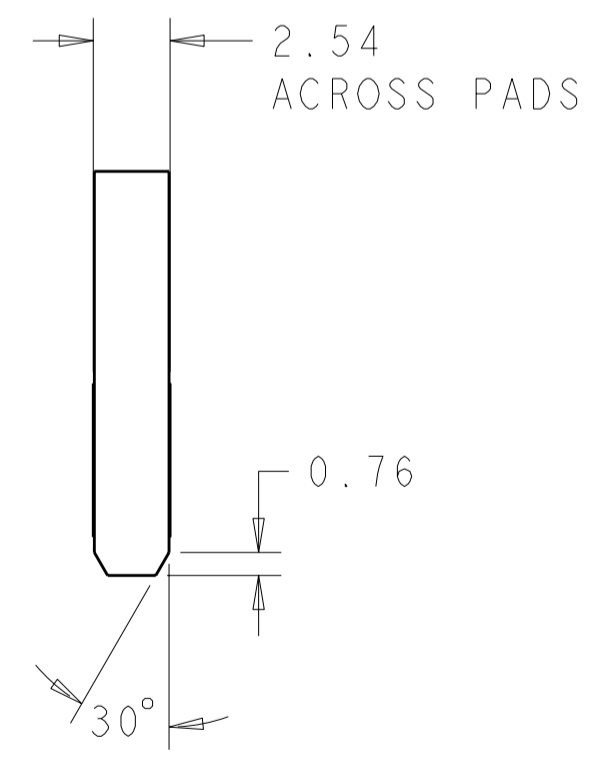
LOC	DIST	REVISIONS			
P	LTR	DESCRIPTION	DATE	DWN	APVD
GP	00	-	SEE SHEET 1	-	-



RECOMMENDED MATING BOARD EDGE CONFIGURATION
TYPICAL BOTH SIDES



RECOMMENDED PCB LAYOUT FOR CONNECTOR MOUNTING
TYPICAL BOTH SIDES



THIS DRAWING IS A CONTROLLED DOCUMENT FOR TYCO ELECTRONICS CORPORATION. IT IS SUBJECT TO CHANGE AND THE CONTROLLING ENGINEERING ORGANIZATION SHOULD BE CONTACTED FOR THE LATEST REVISION.		DWN R. GRZYBOWSKI 18NOV2009	Tyco Electronics Harrisburg, PA 17105-3608	
DIMENSIONS: mm		CHK E. HOWARD 18NOV2009	NAME SURFACE MOUNT FOR CARD EDGE SEC II POWER CONNECTOR, 3POW X 8SIG CARD EDGE, S/M STYLE, 2.54 MB	
TOLERANCES UNLESS OTHERWISE SPECIFIED: 0 PLC ± 1 PLC ±0.5 2 PLC ±0.25 3 PLC ±0.13 4 PLC ± ANGLES ± FINISH ±		APVD M. PERCHERKE 18NOV2009	SIZE A200779	
MATERIAL		PRODUCT SPEC 108-2202	DRAWING NO C-2132114	
		APPLICATION SPEC 114-13018	RESTRICTED TO -	
		WEIGHT -	SCALE 4:1 SHEET 2 OF 2 REV B	
		CUSTOMER DRAWING		