



Chipsmall Limited consists of a professional team with an average of over 10 year of expertise in the distribution of electronic components. Based in Hongkong, we have already established firm and mutual-benefit business relationships with customers from,Europe,America and south Asia,supplying obsolete and hard-to-find components to meet their specific needs.

With the principle of “Quality Parts,Customers Priority,Honest Operation,and Considerate Service”,our business mainly focus on the distribution of electronic components. Line cards we deal with include Microchip,ALPS,ROHM,Xilinx,Pulse,ON,Everlight and Freescale. Main products comprise IC,Modules,Potentiometer,IC Socket,Relay,Connector.Our parts cover such applications as commercial,industrial, and automotives areas.

We are looking forward to setting up business relationship with you and hope to provide you with the best service and solution. Let us make a better world for our industry!



Contact us

Tel: +86-755-8981 8866 Fax: +86-755-8427 6832

Email & Skype: info@chipsmall.com Web: www.chipsmall.com

Address: A1208, Overseas Decoration Building, #122 Zhenhua RD., Futian, Shenzhen, China

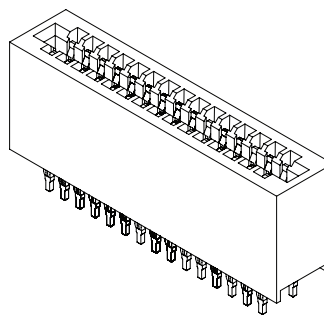




.100" [2.54 mm] Contact Centers, .550" [13.97 mm] or .610" [15.49 mm] Profile, Press Fit

SPECIFICATIONS

- UL Flammability Rating: 94V-0
- Designed to meet specifications of Bellcore specification TR-TSY-00078.
- Flat rock installation eliminates the need for any special installation tool.
- Integrally molded scoops available to assist daughter card entry.
- Molded-in key available



FEATURES

COMPLIANT SECTION INSERTION FORCE

40 lbs maximum per contact

COMPLIANT SECTION WITHDRAWAL FORCE

10 lbs minimum per contact

HOLE SIZE REQUIREMENTS

Drilled Hole Diameter: $.0453" \pm .0010"$ [1.150 mm \pm 0.025 mm]

Plating: $.001"$ [0.03 mm] to $.003"$ [0.08 mm] Copper and $.0003"$ [0.008 mm] Minimum Tin

FINISHED HOLE DIAMETER

$.040" \pm .003"$ [1.02 mm \pm 0.08 mm]

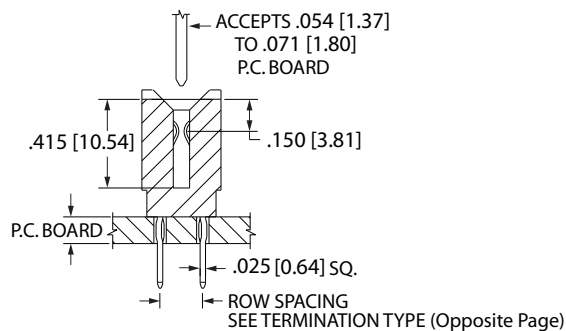
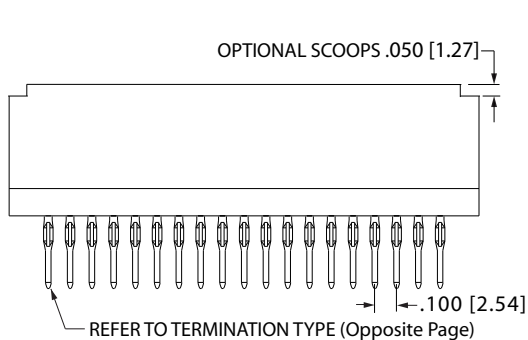
SUITABLE FOR .062" [1.57] DAUGHTER CARD

RECOMMENDED MOTHERBOARD THICKNESS

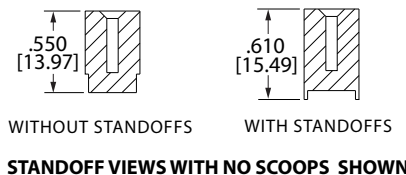
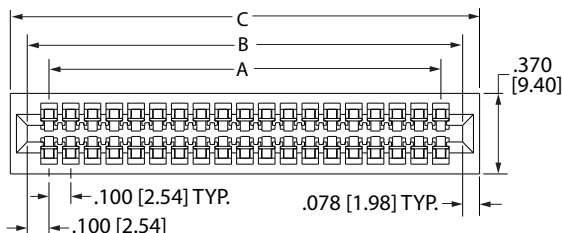
$.093"$ to $.125"$ [2.36 mm to 3.18 mm]

UL-CUL RECOGNIZED

DIMENSIONS Dimensions in [] are in millimeters, all others are in inches.



-S1136 (WITH SCOOPS) SHOWN ABOVE





.100" [2.54 mm] Contact Centers, .550" [13.97 mm] or .610" [15.49 mm] Profile, Press Fit

PART NUMBER OPTIONS

E C C 43 D JB N - Sxxx

MATERIALS (INSULATOR/CONTACT)
E = PBT/Phosphor Bronze
Refer to Page 7 for Operating/Processing Temperatures

CONTACT FINISH - RoHS Compliant
All platings are Lead Free and have .000050" Nickel underplate

Contact Surface	Termination
C = .000030" Gold	.000100" Pure Tin, Matte

CONTACT CENTERS
C = .100" [2.54 mm]

NUMBER OF CONTACT POSITIONS
See Chart Below

READOUT
D = Dual

MODIFICATIONS (Consult Factory)
OMIT FOR STANDARD
Special Number assigned for specials such as:
- Scoops (-S1136)
- Other Card Slot Depths

MOUNTING STYLE
N = No Mounting

TERMINATION TYPE

Standoffs	Row Spacing	Tail Length
JB = No*	.200" [5.08 mm]	.190" [4.83 mm]
JC = No*	.200" [5.08 mm]	.625" [15.88 mm]
JW = Yes	.200" [5.08 mm]	.190" [4.83 mm]
JX = Yes	.200" [5.08 mm]	.565" [14.35 mm]
JF = No*	.100" [2.54 mm]	.190" [4.83 mm]
JG = No*	.100" [2.54 mm]	.625" [15.88 mm]
JY = Yes	.100" [2.54 mm]	.190" [4.83 mm]
JZ = Yes	.100" [2.54 mm]	.565" [14.35 mm]

* Consult factory for availability.

POSITIONS/ CONTACTS	A±.008[0.20]		B±.008[0.20]		C±.015[0.38]	
	in	mm	in	mm	in	mm
05/10	0.400	10.16	0.600	15.24	0.756	19.20
06/12	0.500	12.70	0.700	17.78	0.856	21.74
07/14	0.600	15.24	0.800	20.32	0.956	24.28
08/16*	0.700	17.78	0.900	22.86	1.056	26.82
09/18*	0.800	20.32	1.000	25.40	1.156	29.36
10/20	0.900	22.86	1.100	27.94	1.256	31.90
11/22*	1.000	25.40	1.200	30.48	1.356	34.44
12/24	1.100	27.94	1.300	33.02	1.456	36.98
13/26	1.200	30.48	1.400	35.56	1.556	39.52
14/28*	1.300	33.02	1.500	38.10	1.656	42.06
15/30	1.400	35.56	1.600	40.64	1.756	44.60
16/32	1.500	38.10	1.700	43.18	1.856	47.14
17/34	1.600	40.64	1.800	45.72	1.956	49.68
18/36	1.700	43.18	1.900	48.26	2.056	52.22
19/38*	1.800	45.72	2.000	50.80	2.156	54.76
20/40	1.900	48.26	2.100	53.34	2.256	57.30
21/42*	2.000	50.80	2.200	55.88	2.356	59.84
22/44	2.100	53.34	2.300	58.42	2.456	62.38
23/46	2.200	55.88	2.400	60.96	2.556	64.92
24/48	2.300	58.42	2.500	63.50	2.656	67.46
25/50	2.400	60.96	2.600	66.04	2.756	70.00
26/52	2.500	63.50	2.700	68.58	2.856	72.54
27/54*	2.600	66.04	2.800	71.12	2.956	75.08
28/56	2.700	68.58	2.900	73.66	3.056	77.62
29/58*	2.800	71.12	3.000	76.20	3.156	80.16
30/60	2.900	73.66	3.100	78.74	3.256	82.70
31/62	3.000	76.20	3.200	81.28	3.356	85.24
32/64*	3.100	78.74	3.300	83.82	3.456	87.78

POSITIONS/ CONTACTS	A±.008[0.20]		B±.008[0.20]		C±.015[0.38]	
	in	mm	in	mm	in	mm
33/66*	3.200	81.28	3.400	86.36	3.556	90.32
34/68	3.300	83.82	3.500	88.90	3.656	92.86
35/70	3.400	86.36	3.600	91.44	3.756	95.40
36/72	3.500	88.90	3.700	93.98	3.856	97.94
37/74*	3.600	91.44	3.800	96.52	3.956	100.48
38/76*	3.700	93.98	3.900	99.06	4.056	103.02
39/78*	3.800	96.52	4.000	101.60	4.156	105.56
40/80	3.900	99.06	4.100	104.14	4.256	108.10
41/82*	4.000	101.60	4.200	106.68	4.356	110.64
42/84*	4.100	104.14	4.300	109.22	4.456	113.18
43/86	4.200	106.68	4.400	111.76	4.556	115.72
44/88	4.300	109.22	4.500	114.30	4.656	118.26
45/90*	4.400	111.76	4.600	116.84	4.756	120.80
46/92*	4.500	114.30	4.700	119.38	4.856	123.34
47/94*	4.600	116.84	4.800	121.92	4.956	125.88
48/96*	4.700	119.38	4.900	124.46	5.056	128.42
49/98*	4.800	121.92	5.000	127.00	5.156	130.96
50/100	4.900	124.46	5.100	129.54	5.256	133.50
51/102*	5.000	127.00	5.200	132.08	5.356	136.04
52/104*	5.100	129.54	5.300	134.62	5.456	138.58
53/106*	5.200	132.08	5.400	137.16	5.556	141.12
54/108*	5.300	134.62	5.500	139.70	5.656	143.66
55/110	5.400	137.16	5.600	142.24	5.756	146.20
56/112*	5.500	139.70	5.700	144.78	5.856	148.74
57/114*	5.600	142.24	5.800	147.32	5.956	151.28
58/116*	5.700	144.78	5.900	149.86	6.056	153.82
59/118*	5.800	147.32	6.000	152.40	6.156	156.36
60/120	5.900	149.86	6.100	154.94	6.256	158.90

* Consult factory for availability.