



Chipsmall Limited consists of a professional team with an average of over 10 year of expertise in the distribution of electronic components. Based in Hongkong, we have already established firm and mutual-benefit business relationships with customers from,Europe,America and south Asia,supplying obsolete and hard-to-find components to meet their specific needs.

With the principle of "Quality Parts,Customers Priority,Honest Operation,and Considerate Service",our business mainly focus on the distribution of electronic components. Line cards we deal with include Microchip,ALPS,ROHM,Xilinx,Pulse,ON,Everlight and Freescale. Main products comprise IC,Modules,Potentiometer,IC Socket,Relay,Connector.Our parts cover such applications as commercial,industrial, and automotives areas.

We are looking forward to setting up business relationship with you and hope to provide you with the best service and solution. Let us make a better world for our industry!



Contact us

Tel: +86-755-8981 8866 Fax: +86-755-8427 6832

Email & Skype: info@chipsmall.com Web: www.chipsmall.com

Address: A1208, Overseas Decoration Building, #122 Zhenhua RD., Futian, Shenzhen, China





.100" [2.54 mm] Contact Centers, .540" [13.72 mm] Insulator Height, Male Card Edge, Dip Solder/Right Angle/Card Extender

SPECIFICATIONS

- Compatible with .431" [10.95 mm] or .610" [15.49 mm] Insulator Height Card Edges
- Mates in place of .062" [1.57 mm] PC board
- PBT, PA9T or PPS insulator
- 3 Amps current rating for one contact energized
- 30 milli Ohms maximum at rated current
- Consult Factory for other Contact Centers
- UL Flammability Rating: 94V-0

Operating/Processing Temperature

E = PBT & Phosphor Bronze

Operating Temperature: -65°C to + 125°C

Processing Temperature: Wave only

R = PPS & Phosphor Bronze

Operating Temperature: -65°C to + 150°C

Processing Temperature: 260°C Max. for 20 sec.

G = PA9T & Phosphor Bronze

Operating Temperature: -65°C to + 150°C

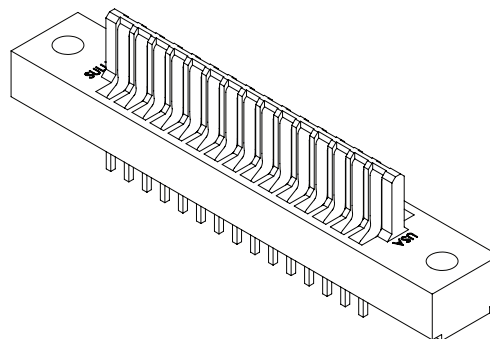
Processing Temperature: 260°C Max. for 20 sec.

A = PPS & Beryllium Copper

Operating Temperature: -65°C to + 200°C

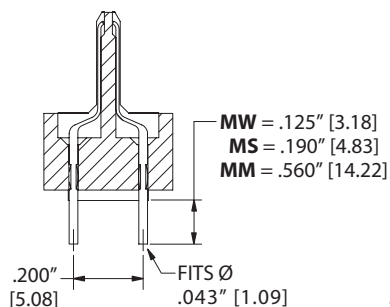
Processing Temperature: 260°C Max. for 20 sec.

Overall Gold Plating Only (Plating code 'S' or 'M')

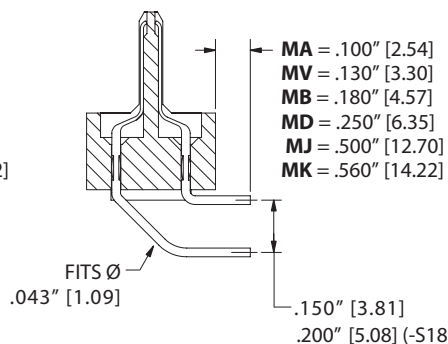


Male Card Edge

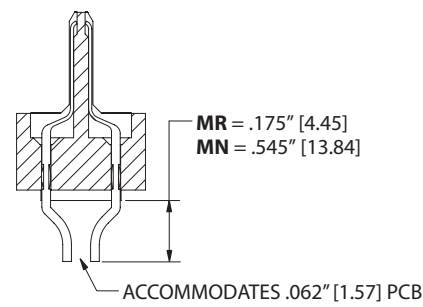
TERMINATION TYPE



**DIP SOLDER (MW, MS)
WIRE WRAP (MM)**

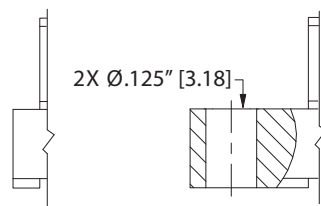


**RIGHT ANGLE
(MA, MV, MB, MD, MJ, MK)**

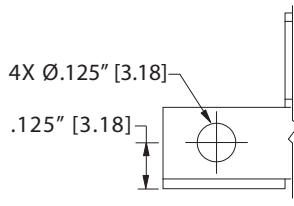


**CARD EXTENDER
(MR, MN)**

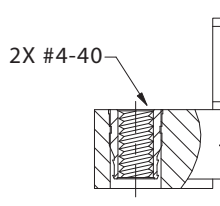
MOUNTING STYLE



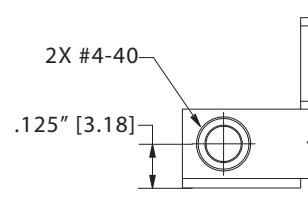
**NO
MOUNTING
(N)**



**FLUSH with
CLEARANCE HOLES
(D)**



**FLUSH, SIDE MOUNTING
with CLEARANCE HOLES
(Z)**



**FLUSH with
THREADED INSERT
(T)**

**FLUSH, with SIDE MOUNTED
THREADED INSERT
(V)**



.100" [2.54 mm] Contact Centers, .540" [13.72 mm] Insulator Height, Male Card Edge, Dip Solder/Right Angle/Card Extender

PART NUMBER OPTIONS

MATERIALS (INSULATOR/CONTACT)

- E = PBT/Phosphor Bronze
 - G = PA9T/Phosphor Bronze
 - R = PPS/ Phosphor Bronze
 - A = PPS/Beryllium Copper (Only 'S' or 'M' plating code)
- Operating & Processing Temperature: See Opposite Page

CONTACT FINISH - RoHS Compliant

All platings are Lead Free and have .000050" Nickel underplate

Contact Surface	Termination
B = .000010" Gold	.000100" Pure Tin, Matte
C = .000030" Gold	.000100" Pure Tin, Matte
Y = .000030" Gold	.000005" Gold
Contact Surface	Overall Plating
S = .000010" Gold	.000010" Gold
M = .000030" Gold	.000010" Gold

CONTACT CENTERS

- C = .100" [2.54 mm]

E B C 25 M MW D - Sxxx

MODIFICATIONS (Consult Factory)

- OMIT FOR STANDARD
- S189 = .200" [5.08] Row Spacing (Right Angle Only)

MOUNTING STYLE

- N = No Mounting
- D = .250" Ears, Flush Mounting, .125" [3.18] Diameter
- Z = .250" Ears, Flush, Side Mounting
- T = .250" Ears, Flush Mounting, #4-40 Threaded Insert
- V = Flush, Side Mounting, #4-40 Threaded Insert

TERMINATION TYPE

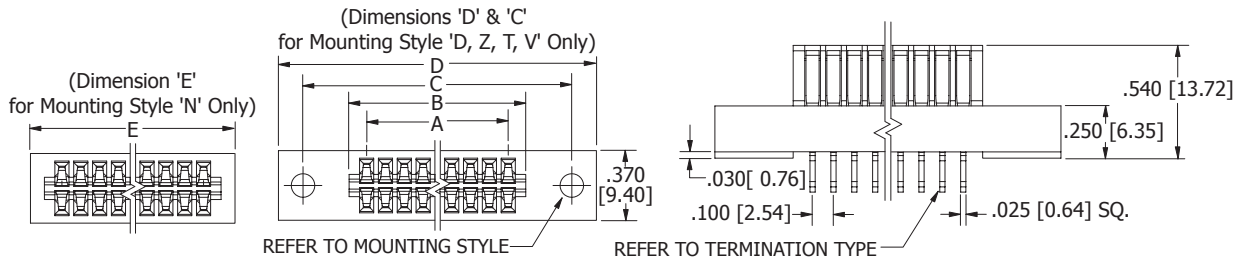
- MW, MS = Dip Solder
- MM = Wire Wrap
- MA, MV, MB = Right Angle
- MD, MJ, MK = Right Angle
- MR, MN = Card Extender

M = Male Card Edge

NUMBER OF CONTACT POSITIONS

- 04 thru 60 Positions
- (Contact factory for positions not shown.)

DIMENSIONS Dimensions in [] are in millimeters, all others are in inches.



POSITIONS/ CONTACTS	INCHES					MILLIMETERS				
	A±.008	B±.008	C±.010	D±.020	E±.020 'N' Mtg. Only	A±0.20	B±0.20	C±0.25	D±0.51	E±0.51 'N' Mtg. Only
04/08	0.300	0.486	0.975	1.236	0.656	7.62	12.34	24.77	31.39	16.66
05/10	0.400	0.586	1.075	1.336	0.756	10.16	14.88	27.31	33.93	19.20
06/12	0.500	0.686	1.175	1.436	0.856	12.70	17.42	29.85	36.47	21.74
07/14	0.600	0.786	1.275	1.536	0.956	15.24	19.96	32.39	39.01	24.28
08/16	0.700	0.886	1.375	1.636	1.056	17.78	22.50	34.93	41.55	26.82
10/20	0.900	1.086	1.575	1.836	1.256	22.86	27.58	40.01	46.63	31.90
12/24	1.100	1.286	1.775	2.036	1.456	27.94	32.66	45.09	51.71	36.98
13/26	1.200	1.386	1.875	2.136	1.556	30.48	35.20	47.63	54.25	39.52
15/30	1.400	1.586	2.075	2.336	1.756	35.56	40.28	52.71	59.33	44.60
16/32	1.500	1.686	2.175	2.436	1.856	38.10	42.82	55.25	61.87	47.14
17/34	1.600	1.786	2.275	2.536	1.956	40.64	45.36	57.79	64.41	49.68
18/36	1.700	1.886	2.375	2.636	2.056	43.18	47.90	60.33	66.95	52.22
19/38	1.800	1.986	2.475	2.736	2.156	45.72	50.44	62.87	69.49	54.76
20/40	1.900	2.086	2.575	2.836	2.256	48.26	52.98	65.41	72.03	57.30
22/44	2.100	2.286	2.775	3.036	2.456	53.34	58.06	70.49	77.11	62.38
23/46*	2.200	2.386	2.875	3.136	2.556	55.88	60.60	73.03	79.65	64.92
24/48	2.300	2.486	2.975	3.236	2.656	58.42	63.14	75.57	82.19	67.46
25/50	2.400	2.586	3.075	3.336	2.756	60.96	65.68	78.11	84.73	70.00
26/52	2.500	2.686	3.175	3.436	2.856	63.50	68.22	80.65	87.27	72.54
28/56	2.700	2.886	3.375	3.636	3.056	68.58	73.30	85.73	92.35	77.62
30/60	2.900	3.086	3.575	3.836	3.256	73.66	78.38	90.81	97.43	82.70
31/62	3.000	3.186	3.675	3.936	3.356	76.20	80.92	93.35	99.97	85.24
32/64	3.100	3.286	3.775	4.036	3.456	78.74	83.46	95.89	102.51	87.78
34/68	3.300	3.486	3.975	4.236	3.656	83.82	88.54	100.97	107.59	92.86
35/70	3.400	3.586	4.075	4.336	3.756	86.36	91.08	103.51	110.13	95.40
36/72	3.500	3.686	4.175	4.436	3.856	88.90	93.62	106.05	112.67	97.94
40/80	3.900	4.086	4.575	4.836	4.256	99.06	103.78	116.21	122.83	108.10
43/86*	4.200	4.386	4.875	5.136	4.556	106.68	111.40	123.83	130.45	115.72
44/88*	4.300	4.486	4.975	5.236	4.656	109.22	113.94	126.37	132.99	118.26
49/98*	4.800	4.986	5.475	5.736	5.156	121.92	126.64	139.07	145.69	130.96
50/100	4.900	5.086	5.575	5.836	5.256	124.46	129.18	141.61	148.23	133.50
52/104*	5.100	5.286	5.775	6.036	5.456	129.54	134.26	146.69	153.31	138.58
55/110*	5.400	5.586	6.075	6.336	5.756	137.16	141.88	154.31	160.93	146.20
56/112*	5.500	5.686			5.856	139.70	144.42			148.74
57/114*	5.600	5.786			5.956	142.24	146.96			151.28
58/116*	5.700	5.886	'N' Mounting Only		6.056	144.78	149.50	'N' Mounting Only		153.82
59/118*	5.800	5.986			6.156	147.32	152.04			156.36
60/120	5.900	6.086			6.256	149.86	154.58			158.90

* Consult factory for availability.