



Chipsmall Limited consists of a professional team with an average of over 10 year of expertise in the distribution of electronic components. Based in Hongkong, we have already established firm and mutual-benefit business relationships with customers from,Europe,America and south Asia,supplying obsolete and hard-to-find components to meet their specific needs.

With the principle of "Quality Parts,Customers Priority,Honest Operation,and Considerate Service",our business mainly focus on the distribution of electronic components. Line cards we deal with include Microchip,ALPS,ROHM,Xilinx,Pulse,ON,Everlight and Freescale. Main products comprise IC,Modules,Potentiometer,IC Socket,Relay,Connector.Our parts cover such applications as commercial,industrial, and automotives areas.

We are looking forward to setting up business relationship with you and hope to provide you with the best service and solution. Let us make a better world for our industry!



Contact us

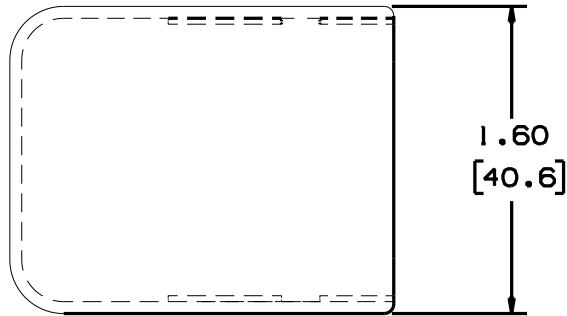
Tel: +86-755-8981 8866 Fax: +86-755-8427 6832

Email & Skype: info@chipsmall.com Web: www.chipsmall.com

Address: A1208, Overseas Decoration Building, #122 Zhenhua RD., Futian, Shenzhen, China



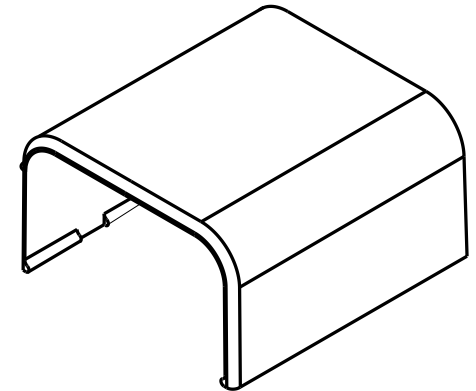
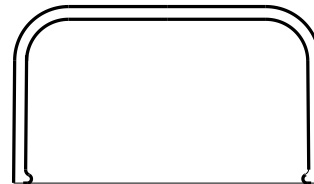
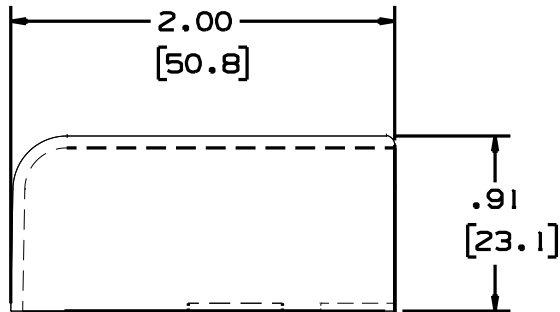
THIS COPY IS PROVIDED ON A RESTRICTED BASIS AND IS NOT TO BE USED IN ANY WAY DETRIMENTAL TO THE INTERESTS OF PANDUIT CORP.





NOTES:

1. SEE CURRENT CATALOG FOR ADDITIONAL PART SUFFIXES TO INDICATE COLOR AND OR PACKAGE QUANTITY.
2. DIMENSIONS IN PARENTHESIS ARE IN METRIC.

PANDUIT P/N	WEIGHT
ECF10	1.36 LB/ 100PCS. (617g/ 100PCS.)



REV	DATE	BY	CHK	DESCRIPTION	ECN	R	CUST	SUP	CAD FILENAME/LAYERS
--	--	--	RELEASED TO PRODUCTION	--	--		D34116BF_DC_ECF10/02D.PRT
7	5-30-08	BDK	RMH	G. REVISED TO CURRENT CAD STANDARDS DRAWING # WAS SS-17775	34116-11	RTF	RTF		<p>PANDUIT CORP. TINLEY PARK, ILLINOIS</p> <p>END CAP FITTING (ECF10)</p> <p>CUSTOMER DRAWING</p> <p>UNLESS OTHERWISE SPECIFIED, DIMENSIONAL TOLERANCES ARE: (.X) ± (.XXX) ± (.XX) ± .031.81 ANGLES ±</p> <p>UNLESS OTHERWISE SPECIFIED, ALL DIMENSIONS ARE GIVEN IN INCHES, THIRD ANGLE PROJECTION.</p> <p>SCALE FULL</p> <p>DRAWING NO. 34116-11</p> <p>DWG SIZE A</p>
6	7-2-02	JHNU	RMH	F. REVISED MATERIAL IN DRAWING TITLE BLOCK.	17775	RGRO	RGRO		
5	8-30-00	JHNU	HIW	E. REVISED AND REDRAWN.	17775	HIW	HIW		
4	12-28-91	DW	BKR	D. REV'D NOTE AND REMOVED COLOR FROM DWG.	17775	BKR	CF		
3	2-28-91	DW	CF	C. REV'D COLORS: OMIT BEIGE, LIGHT IVORY, AND LIGHT GREY. ADDED INT. WHITE AND INT. GREY	17775	CF	WJB/CF		
2	12-2-87	LDB	WJB	B. ADDED P/N ECF10E1 AND ECF10L1.	17775	WJB	WJB		
1	10-1-84	CEK	HMP	A. REVISED MAT'L.	17775	HMP	AJC		
R	11-4-82	SS	HMP	DRAWING RELEASED	17775	HMP	JKR		
									<p>DRAWN BY SARGIS</p> <p>DATE 11-4-82</p> <p>CHK'D JVL</p> <p>MAT'L: ABS</p> <p></p> <p></p>