



Chipsmall Limited consists of a professional team with an average of over 10 year of expertise in the distribution of electronic components. Based in Hongkong, we have already established firm and mutual-benefit business relationships with customers from,Europe,America and south Asia,supplying obsolete and hard-to-find components to meet their specific needs.

With the principle of “Quality Parts,Customers Priority,Honest Operation,and Considerate Service”,our business mainly focus on the distribution of electronic components. Line cards we deal with include Microchip,ALPS,ROHM,Xilinx,Pulse,ON,Everlight and Freescale. Main products comprise IC,Modules,Potentiometer,IC Socket,Relay,Connector.Our parts cover such applications as commercial,industrial, and automotives areas.

We are looking forward to setting up business relationship with you and hope to provide you with the best service and solution. Let us make a better world for our industry!



## Contact us

Tel: +86-755-8981 8866 Fax: +86-755-8427 6832

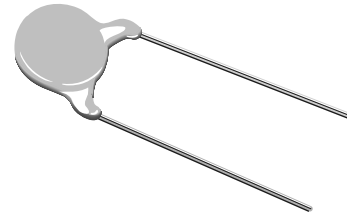
Email & Skype: info@chipsmall.com Web: www.chipsmall.com

Address: A1208, Overseas Decoration Building, #122 Zhenhua RD., Futian, Shenzhen, China



### Ceramic Disc Capacitors for Safety Regulations

Type: **GL**



#### ■ Features

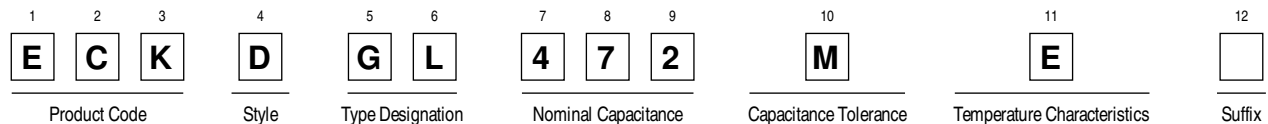
Ceramic disc capacitors, "Type GL," rated 250 VAC, are recognized by UL.

(Recognized type designation: Type GL).

#### ■ Recommended Applications

- Line bypass and across-the-line
- Switching surge killer, etc.

#### ■ Explanation of Part Numbers



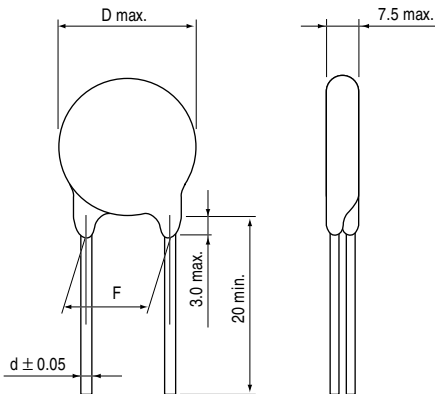
#### ■ Specifications

Operating temperature range	-25 to 85°C		
Rated voltage	<b>Applicable standard</b>		<b>Rated voltage</b>
	UL		250 VAC
	CSA		125 VAC
Dielectric withstanding voltage	1500 VAC (50/60 Hz) for 1 minute		
Capacitance	Within the tolerance, when measured at 1 kHz ± 20%, 1 Vrms and 20°C		
Dissipation factor (tan δ)	B/Y5P/2B4: 0.025 max.; E/Y5U/2E4: 0.025 max., V: 0.05 max.		
Insulation resistance	10,000 MΩ min. at 500 VDC and 1 minute electrification		
Temperature characteristics (Reference temperature: 20°C)	<b>T.C.</b>	<b>Capacitance Change</b>	<b>Temperature Range</b>
	B/Y5P/2B4	±10% max.	-25 to 85°C
	E/Y5U/2E4	+20/-55% max.	-25 to 85°C
	V	+30/-80% max.	0 to 70°C

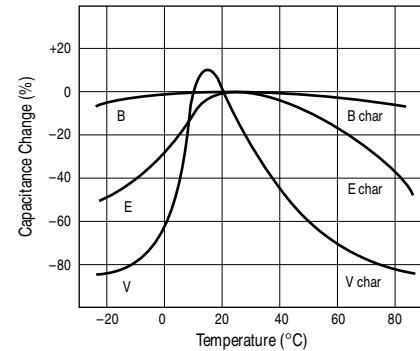
### ■ Related Standards and Certificate Numbers (Type NS-A)

Related Standards	Certificate Number/File Number
UL 1414	E62674 (Rated 250 VAC)
CSA C22.2	LR58064-7 (Rated 125 VAC)

### ■ Dimensions in mm (not to scale)



### ■ Typical Temperature Characteristics



### ■ Ratings and Characteristics

Part Number	Nominal Capacitance (pF)	Tolerance (%)	Temperature Characteristics	Dimensions in mm			
				D max.	T max.	F	d
ECKDGL101MB	100	±20	B	8.0	5.5	7.5±1.5	0.65
ECKDGL151MB	150	— 20	B	8.0	5.5	7.5±1.5	0.65
CKDGL221MB	220	— 20	B	8.0	5.5	7.5±1.5	0.65
CKDGL331MB	330	— 20	B	8.0	5.5	7.5±1.5	0.65
CKDGL471MB	470	— 20	B	9.0	5.5	7.5±1.5	0.65
CKDGL681MB	680	— 20	B	9.0	5.5	7.5±1.5	0.65
CKDGL102MB	1000	— 20	E	9.0	5.5	7.5±1.5	0.65
CKDGL152MB	1500	— 20	E	11.0	5.5	7.5±1.5	0.65
CKDGL222MB	2200	— 20	E	12.0	5.5	7.5±1.5	0.65
CKDGL332MB	3300	— 20	E	15.0	5.5	10.0±1.5	0.65
CKDGL472MB	4700	— 20	E	17.0	5.5	10.0±1.5	0.65
CKDGL472ZV	4700	+80, -20	V	12.0	5.5	7.5±1.5	0.65
CKDGL103ZV	10000	+80, -20	V	17.0	5.5	10.0±1.5	0.65

Note: Radial taped versions are available on request.