



Chipsmall Limited consists of a professional team with an average of over 10 year of expertise in the distribution of electronic components. Based in Hongkong, we have already established firm and mutual-benefit business relationships with customers from,Europe,America and south Asia,supplying obsolete and hard-to-find components to meet their specific needs.

With the principle of “Quality Parts,Customers Priority,Honest Operation,and Considerate Service”,our business mainly focus on the distribution of electronic components. Line cards we deal with include Microchip,ALPS,ROHM,Xilinx,Pulse,ON,Everlight and Freescale. Main products comprise IC,Modules,Potentiometer,IC Socket,Relay,Connector.Our parts cover such applications as commercial,industrial, and automotives areas.

We are looking forward to setting up business relationship with you and hope to provide you with the best service and solution. Let us make a better world for our industry!



## Contact us

Tel: +86-755-8981 8866 Fax: +86-755-8427 6832

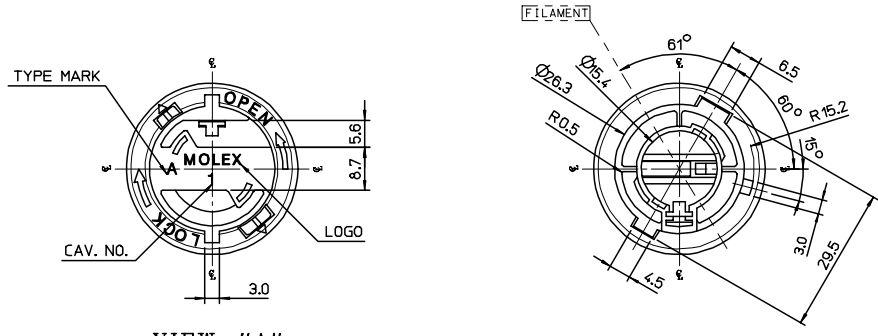
Email & Skype: info@chipsmall.com Web: www.chipsmall.com

Address: A1208, Overseas Decoration Building, #122 Zhenhua RD., Futian, Shenzhen, China



NOTES:

NO.	DESCRIPTION	MATERIAL	ENG. NO.	REMARK
1	SINGLE SOCKET- A TYPE	POLYAMIDE(PA66)	49504-020*	LCL=35mm
2	POSITIVE TERMINAL	PHOSPHOR BRONZE	35438-8000	UNPLATED
3	EARTH TERMINAL	PHOSPHOR BRONZE	35439-8000	UNPLATED

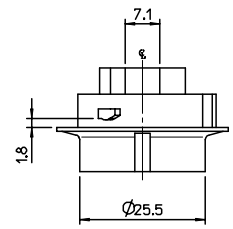
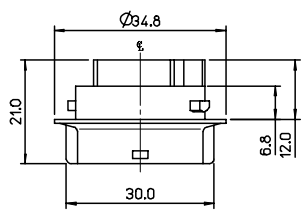


VIEW "A"

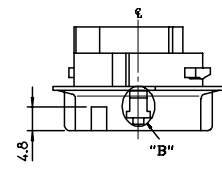
MXX SERIES NO. 49504 - \* \* \* \*  
 SOCKET COLOR:  
 0: NATURAL  
 1: BLACK  
 2: RED  
 3: YELLOW  
 4: BLUE  
 5: GRAY  
 6: WHITE  
 7: BROWN  
 ○: ON THE MARKET

CIRCUIT NO. \_\_\_\_\_

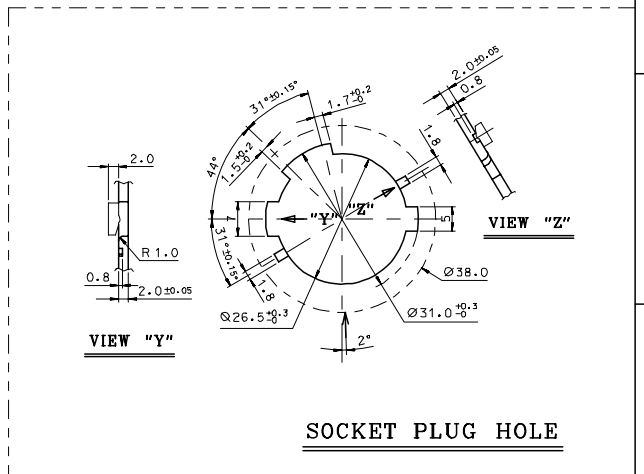
0: 'A' TYPE  
 1: 'B' TYPE  
 2: 'C' TYPE  
 3: 'EC' TYPE  
 4: 'D' TYPE



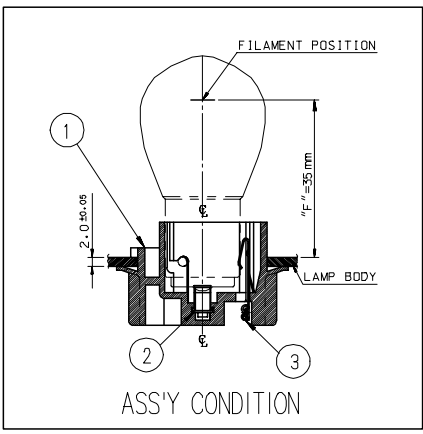
↑  
"A"



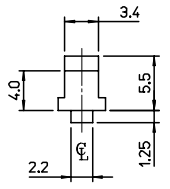
"B"



SOCKET PLUG HOLE



ASS'Y CONDITION



DETAIL "B"  
SCALE 2:1

CHANGED OF NOTES EC NO: KOR2008-0095 DRWNER:KIM 2007/11/29 CHKD:BCYOON 2007/11/30 APPR:YUNSIKKIM 2007/11/30	QUALITY SYMBOLS	GENERAL TOLERANCES (UNLESS SPECIFIED)	DIMENSION STYLE	SCALE	DESIGN UNITS	THIRD ANGLE PROJECTION
	▽=0 ∇=0	mm    INCH 4 PLACES ± --- ± --- 3 PLACES ± --- ± --- 2 PLACES ± 0.2 ± --- 1 PLACE ± 0.3 ± --- ANGULAR ± 1 °	MM ONLY	1:1	METRIC	THIRD ANGLE PROJECTION (Symbol)
	DRAFT WHERE APPLICABLE MUST REMAIN WITHIN DIMENSIONS	DRAWN BY: SMKIM    DATE: 2004/05/12 CHECKED BY: BCYOON    DATE: 2004/05/12 APPROVED BY: CWLEE    DATE: 2004/05/12	TITLE	NON-SEALED BULB SOCKET SINGLE HOUSING-A TYPE (LCL=35MM)		
	MATERIAL NO. 49504020* SIZE A3 THIS DRAWING CONTAINS INFORMATION THAT IS PROPRIETARY TO MOLEX INCORPORATED AND SHOULD NOT BE USED WITHOUT WRITTEN PERMISSION	DOCUMENT NO. SD-49504-001 SHEET NO. 1 OF 1	MOLEX INCORPORATED			