



Chipsmall Limited consists of a professional team with an average of over 10 year of expertise in the distribution of electronic components. Based in Hongkong, we have already established firm and mutual-benefit business relationships with customers from,Europe,America and south Asia,supplying obsolete and hard-to-find components to meet their specific needs.

With the principle of “Quality Parts,Customers Priority,Honest Operation,and Considerate Service”,our business mainly focus on the distribution of electronic components. Line cards we deal with include Microchip,ALPS,ROHM,Xilinx,Pulse,ON,Everlight and Freescale. Main products comprise IC,Modules,Potentiometer,IC Socket,Relay,Connector.Our parts cover such applications as commercial,industrial, and automotives areas.

We are looking forward to setting up business relationship with you and hope to provide you with the best service and solution. Let us make a better world for our industry!



Contact us

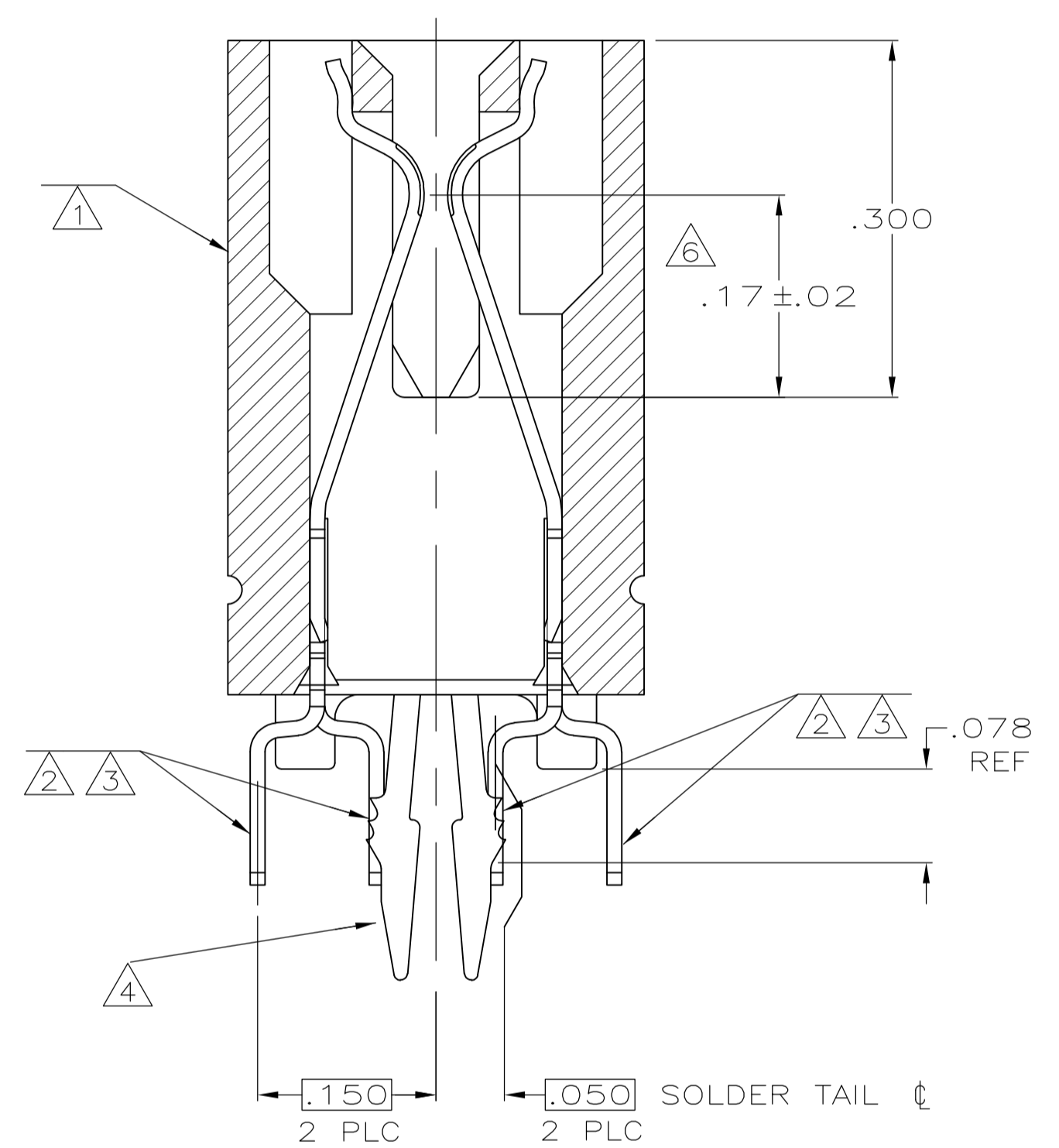
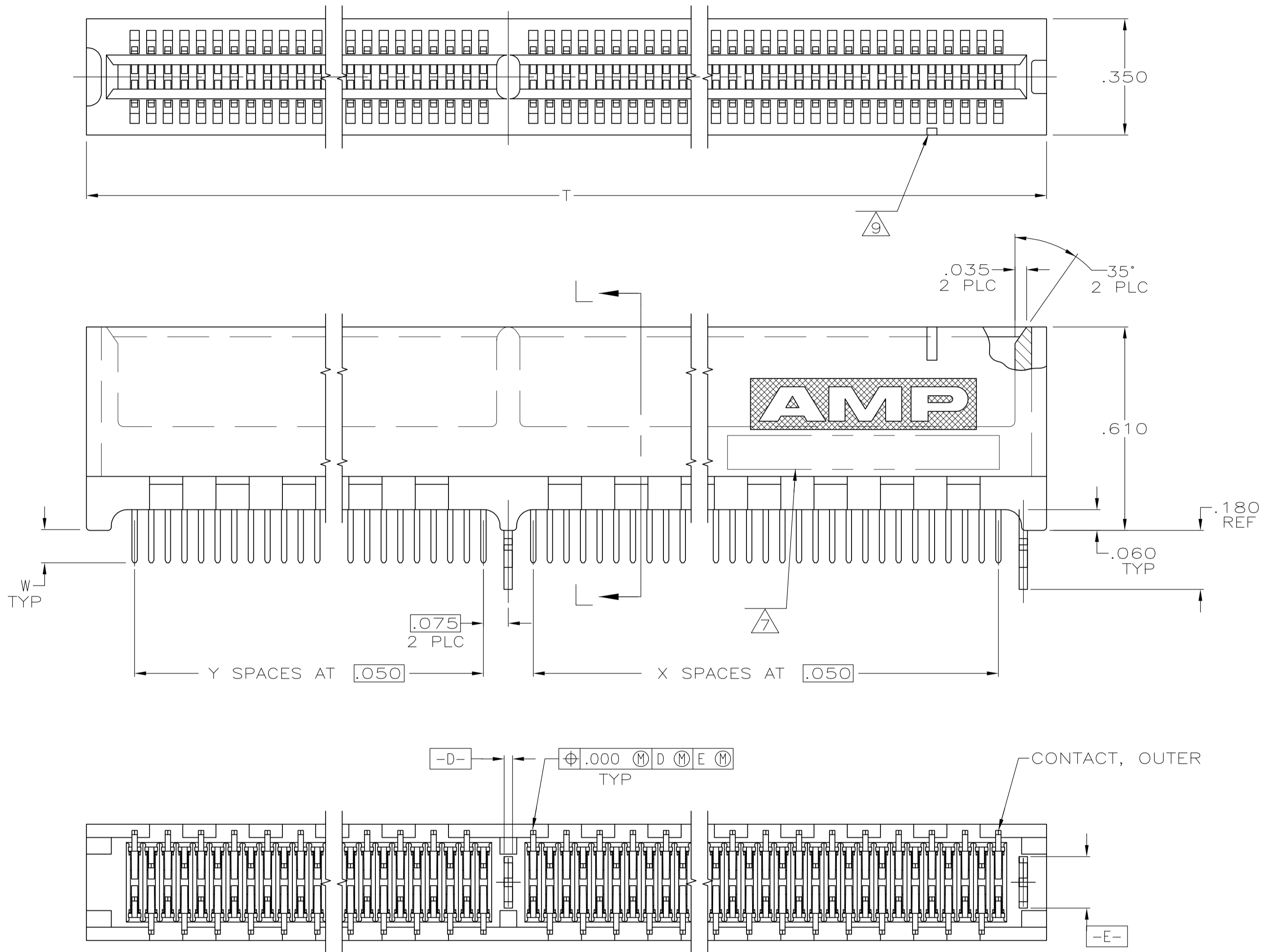
Tel: +86-755-8981 8866 Fax: +86-755-8427 6832

Email & Skype: info@chipsmall.com Web: www.chipsmall.com

Address: A1208, Overseas Decoration Building, #122 Zhenhua RD., Futian, Shenzhen, China



LOC		DIST		REVISIONS			
GP	00	REV	DATE	DESCRIPTION	DATE	BY	APPV
		0	02 AUG 05	RELEASED PER EC 0512-0287-04	02 AUG 05	AWF	AWF
		01	07NOV09	REVISED PER ECO-09-024927	07NOV09	KK	AEG



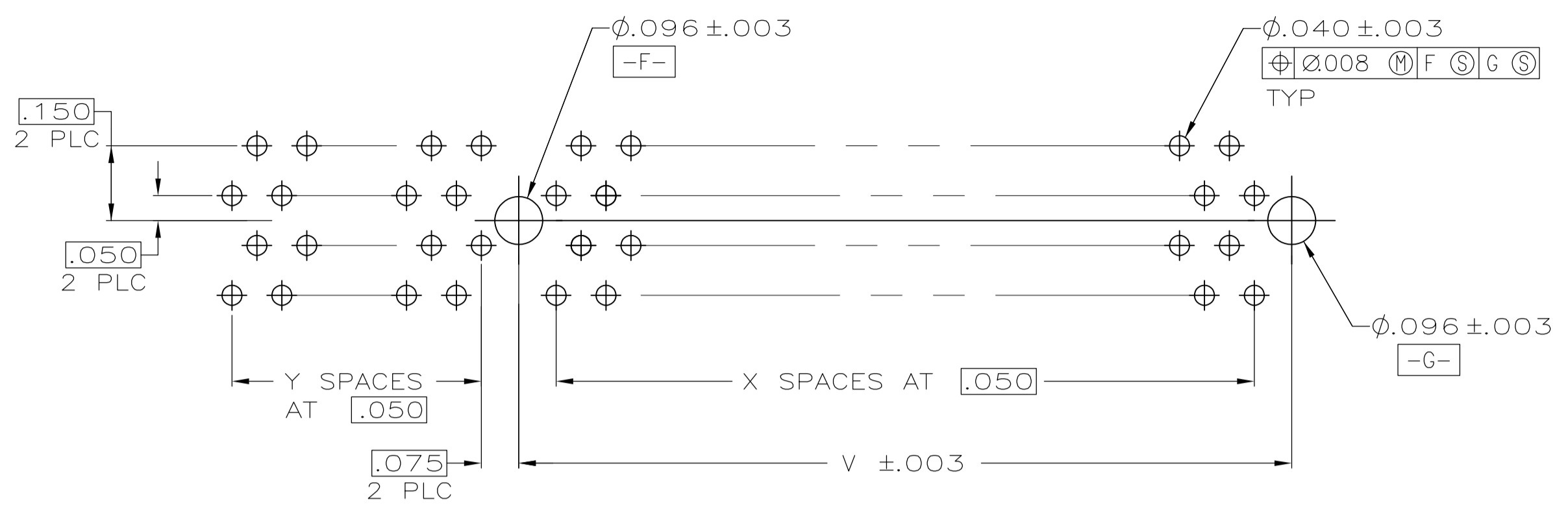
- 1 HOUSING: HIGH TEMPERATURE THERMOPLASTIC. COLOR: BROWN.
- 2 CONTACT: PHOSPHOR BRONZE.
- 3 CONTACT FINISH: .000050 MIN NICKEL ALL OVER. .000030 MIN GOLD OVER NICKEL IN CONTACT AREA. .000100 MIN MATTE TIN OVER NICKEL ON SOLDER TAILS.
- 4 METAL HOLD DOWN: BRASS
- 5 METAL HOLD DOWN FINISH: .000050 MIN NICKEL ALL OVER, .000150 MIN MATTE TIN ALL OVER
- 6 DISTANCE FROM CONTACT POINT TO BOTTOM OF CARD SLOT.
- 7 AMP PART NUMBER, DATE CODE AND CSA LOGO MARKED IN APPROXIMATE AREA SHOWN.
- 8 DISTANCE FROM CONTACT POINT TO BOTTOM OF CARD SLOT.
- 9 PIN ONE IDENTIFIER NOTCH ONLY ON PART NUMBERS INDICATED.
- 10 OBSOLETE PARTS: OBSOLETE CIS STREAMLINING PER D.RENAUD/D.SINISI

SEE SHEET 2 FOR HOLE PATTERN

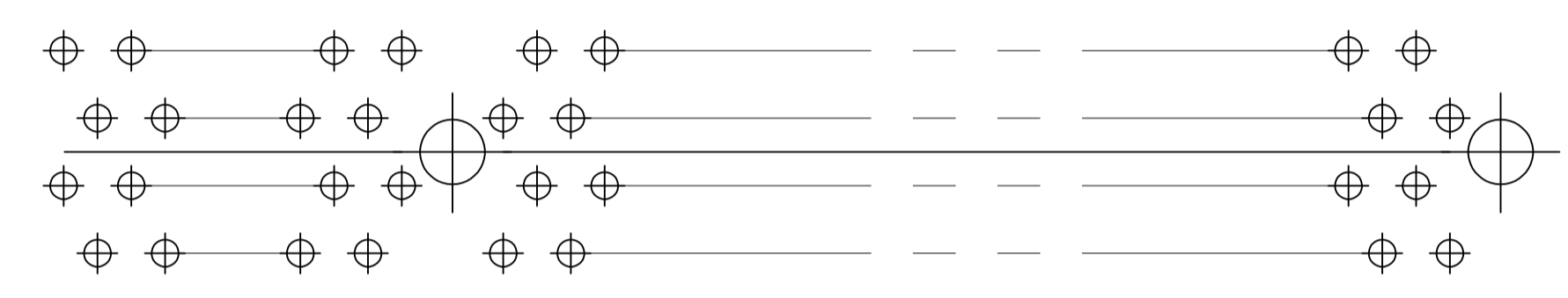
W	PIN ONE IDENTIFIER	HOLE PATTERN	V	U	T	S	Y	X	NO OF DUAL POSN	PART NUMBER
.125	YES	B	2.350	2.310	3.14	.610	10	44	56	5145020-8
.140	YES	A	2.550	2.510	4.89	2.160	41	48	91	5145020-7
.125	YES	A	2.550	2.510	4.89	2.160	41	48	91	5145020-6
.125	NO	D	1.800	1.760	2.59	.610	10	33	45	5145020-5

10 OBSOLETE

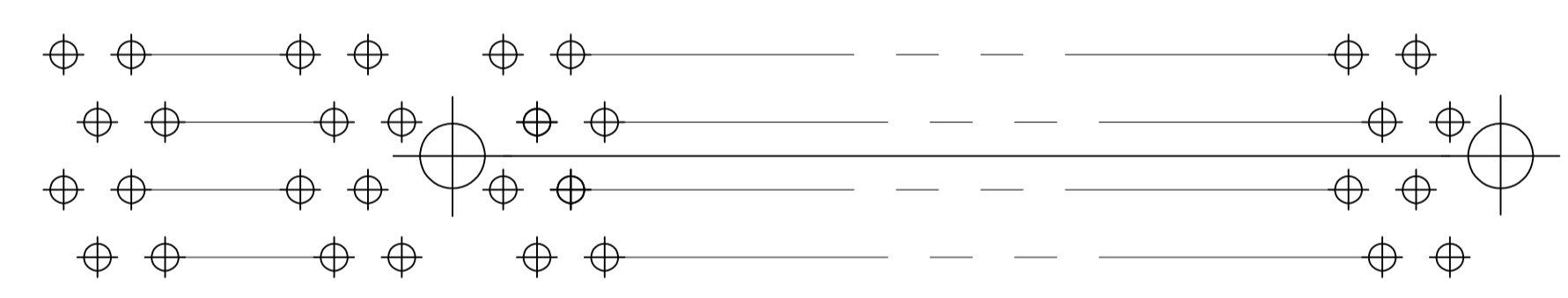
THIS DRAWING IS A CONTROLLED DOCUMENT.		DATE: 02 AUG 05	Tyco Electronics Corporation Harrisburg, Pa 17105-3608
DIMENSIONS: INCHES		APVD: AL FRANTUM	
TOLERANCES UNLESS OTHERWISE SPECIFIED:		PRODUCT SPEC: 108-14034	CONNECTOR ASSEMBLY DUAL POSITION .050 SERIES, STANDARD EDGE
0 PLC ± -		APPLICATION SPEC: 114-26012	
1 PLC ± .01		SIZE: A1	RESTRICTED TO
2 PLC ± .01		WEIGHT: -	
3 PLC ± .005		CAGE CODE: 00779	SCALE: 4:1 SHEET 1 OF 2 REV 01
4 PLC ± .005		DRAWING NO: 5145020	
ANGLES ± °		CUSTOMER DRAWING	



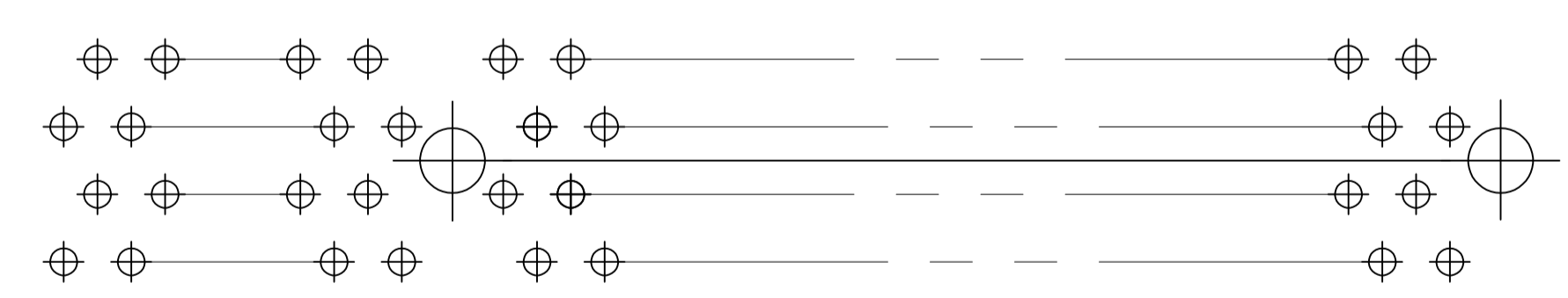
RECOMMENDED CONNECTOR MOUNTING HOLE PATTERN A
(CONNECTOR SIDE SHOWN)



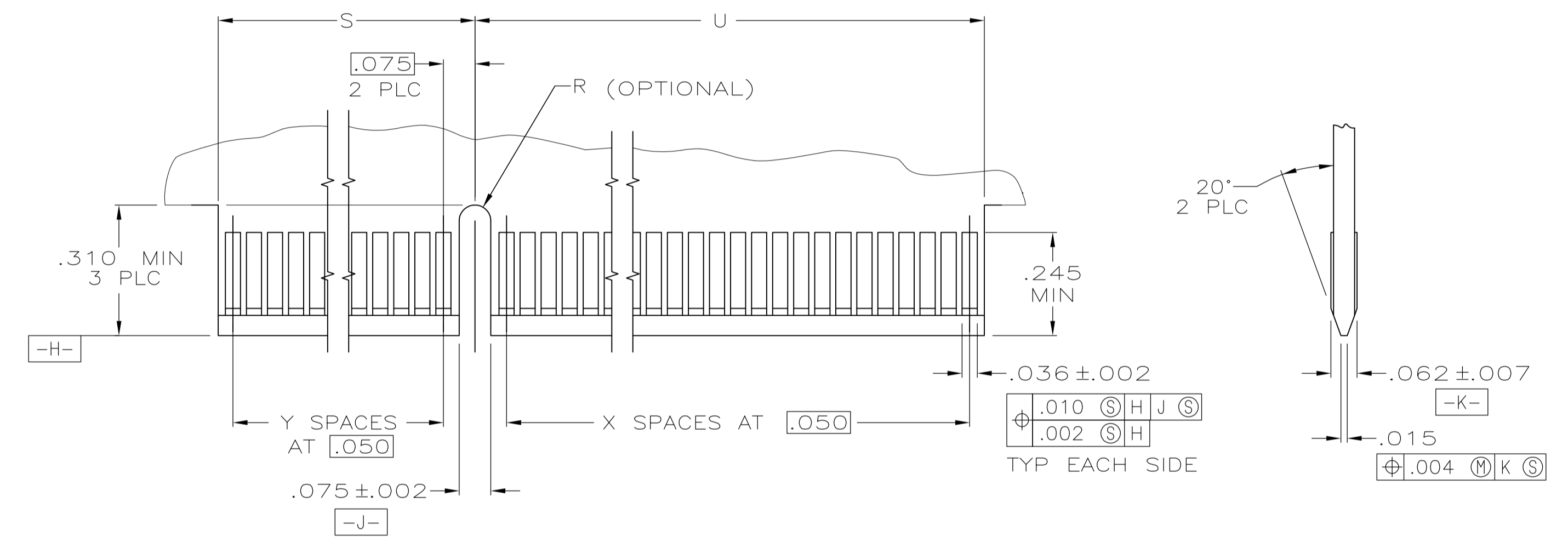
RECOMMENDED CONNECTOR MOUNTING HOLE PATTERN B
(CONNECTOR SIDE SHOWN)



RECOMMENDED CONNECTOR MOUNTING HOLE PATTERN C
(CONNECTOR SIDE SHOWN)



RECOMMENDED CONNECTOR MOUNTING HOLE PATTERN D
(CONNECTOR SIDE SHOWN)



RECOMMENDED MATING BOARD EDGE CONFIGURATION

THIS DRAWING IS A CONTROLLED DOCUMENT.		DWN AL FRANTUM 02 AUG 05 CHK AL FRANTUM 02 AUG 05 APVD AL FRANTUM	Tyco Electronics Corporation Harrisburg, Pa 17105-3608
DIMENSIONS: INCHES 0 PLC ± - 1 PLC ± - 2 PLC ± .01 3 PLC ± .005 4 PLC ± - ± ° ANGLES ± - ± °	TOLERANCES UNLESS OTHERWISE SPECIFIED: 0 PLC ± - 1 PLC ± - 2 PLC ± .01 3 PLC ± .005 4 PLC ± - ± ° ANGLES ± - ± °	PRODUCT SPEC 108-14034 APPLICATION SPEC 114-26012	NAME CONECTOR ASSEMBLY DUAL POSITION .050 SERIES, STANDARD EDGE SIZE A1 CAGE CODE 00779 DRAWING NO. 5145020 RESTRICTED TO
MATERIAL SEE SHEET 1	FINISH SEE SHEET 1	WEIGHT -	CUSTOMER DRAWING SCALE 4:1 SHEET 2 OF 2 REV 01