



Chipsmall Limited consists of a professional team with an average of over 10 year of expertise in the distribution of electronic components. Based in Hongkong, we have already established firm and mutual-benefit business relationships with customers from,Europe,America and south Asia,supplying obsolete and hard-to-find components to meet their specific needs.

With the principle of “Quality Parts,Customers Priority,Honest Operation,and Considerate Service”,our business mainly focus on the distribution of electronic components. Line cards we deal with include Microchip,ALPS,ROHM,Xilinx,Pulse,ON,Everlight and Freescale. Main products comprise IC,Modules,Potentiometer,IC Socket,Relay,Connector.Our parts cover such applications as commercial,industrial, and automotives areas.

We are looking forward to setting up business relationship with you and hope to provide you with the best service and solution. Let us make a better world for our industry!



Contact us

Tel: +86-755-8981 8866 Fax: +86-755-8427 6832

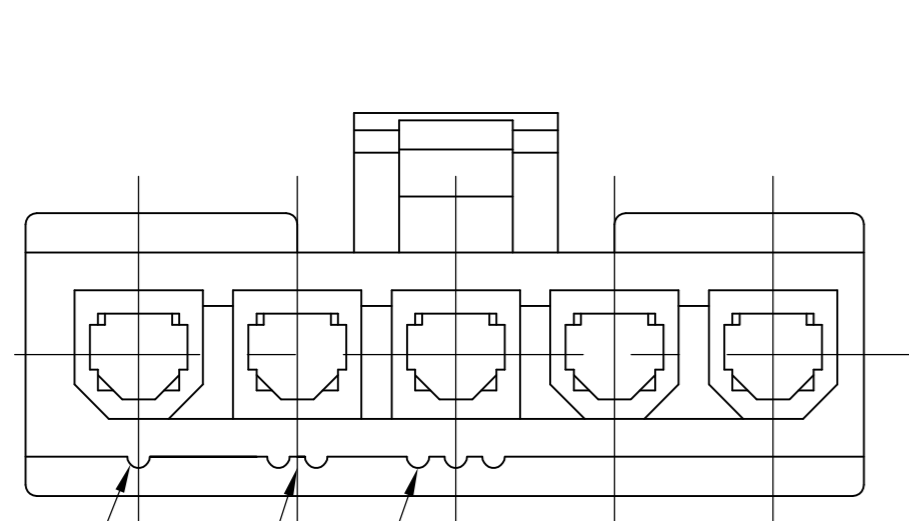
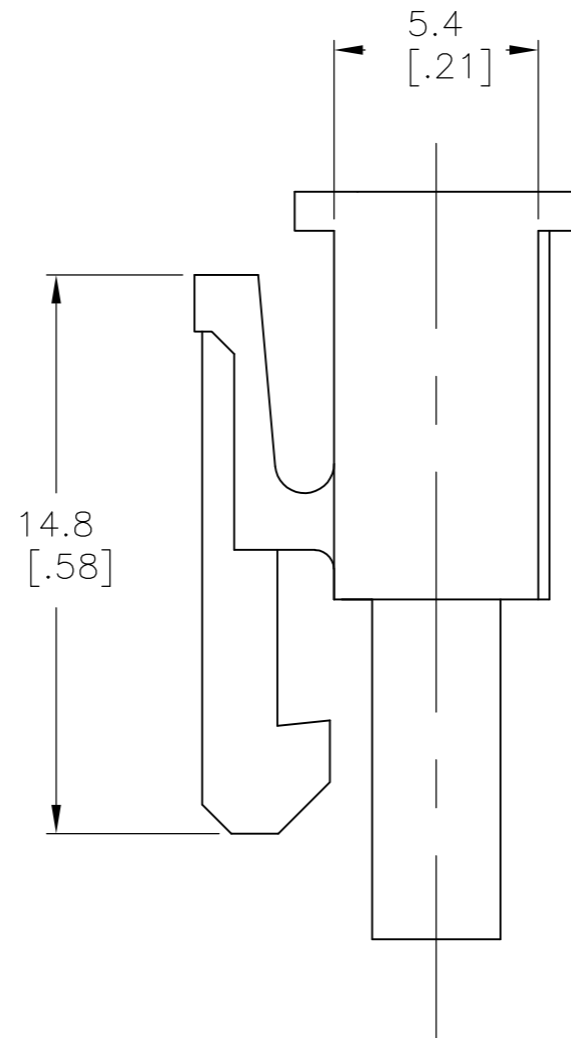
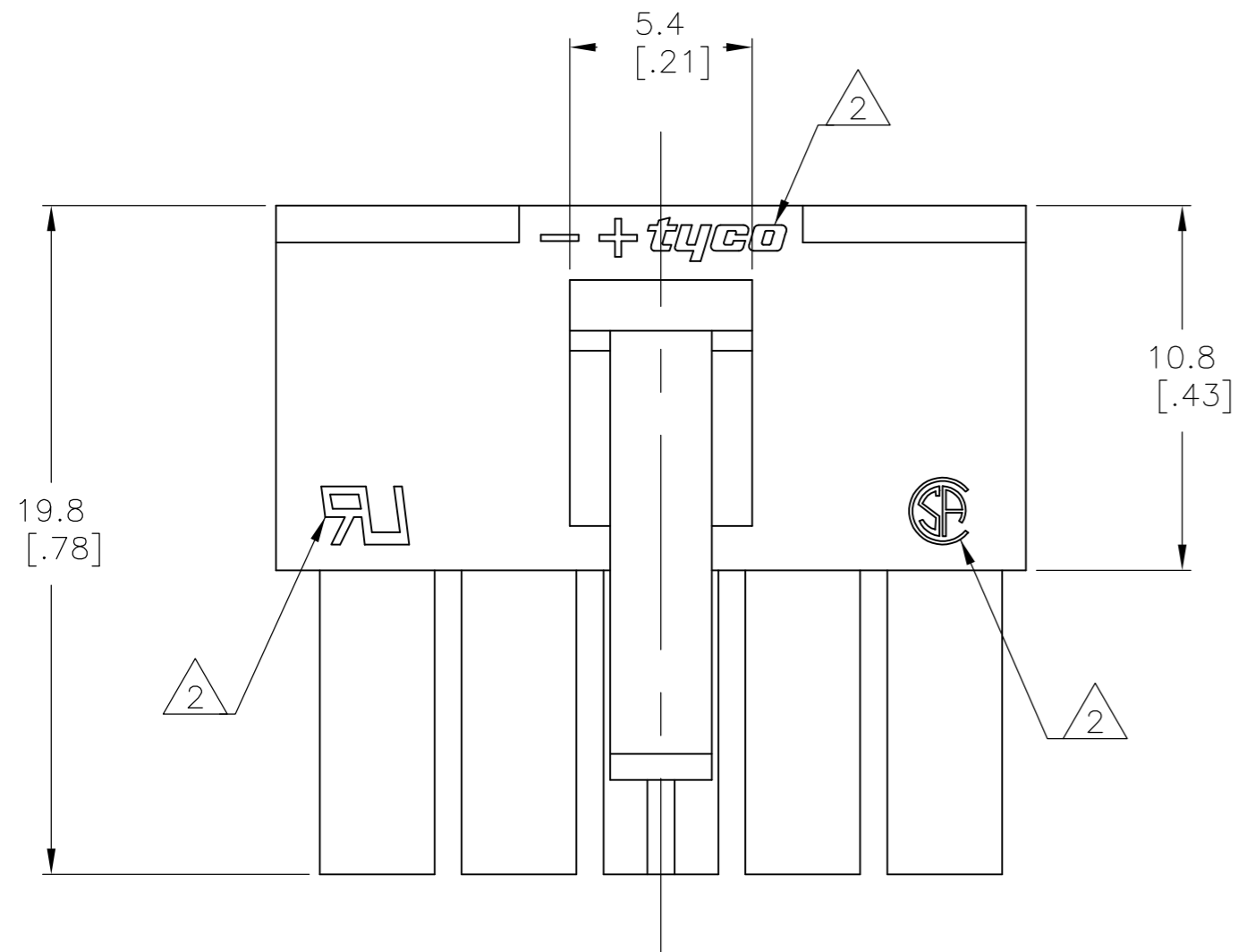
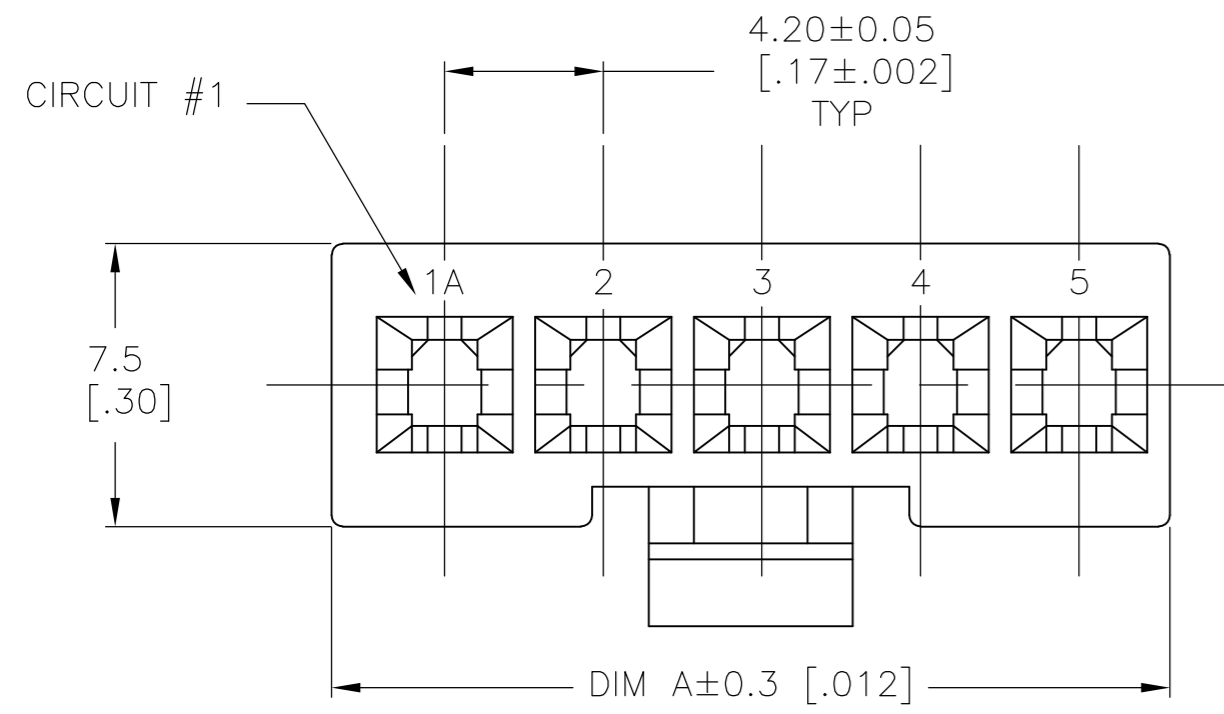
Email & Skype: info@chipsmall.com Web: www.chipsmall.com

Address: A1208, Overseas Decoration Building, #122 Zhenhua RD., Futian, Shenzhen, China



THIS DRAWING IS UNPUBLISHED. RELEASED FOR PUBLICATION
 © COPYRIGHT BY TYCO ELECTRONICS CORPORATION. ALL RIGHTS RESERVED.

LOC	DIST	REVISIONS			
P	LTR	DESCRIPTION	DATE	DWN	APVD
CM	00	D	REVISED PER ECO-08-014350	10JUN08	HMR CC



4 POSITION MATING FACE
(FOR POLARIZATION IDENTIFICATION)

METRIC

- 1 MATERIAL : NYLON 66 UL94V-2
- 2 TE LOGO, UL LOGO, AND CSA LOGO - SIZE, LOCATION, AND ORIENTATION OPTIONAL.

22.2 [.87]	5	1586026-5
18.0 [.71]	4	1586026-4
DIM A	POS	PART NUMBER

THIS DRAWING IS A CONTROLLED DOCUMENT.		DWN	08SEP03	Tyco Electronics Corporation	
DIMENSIONS: mm [INCHES]		S. HOOVER	08SEP03	Harrisburg, PA 17105-3608	
TOLERANCES UNLESS OTHERWISE SPECIFIED:		CHK	08SEP03	NAME	
0 PLC ± -		D. COLEY	08SEP03	RECEPTACLE, SINGLE ROW, VAL-U-LOK(TM)	
1 PLC ± 0.2 [.01]		APVD	08SEP03	SIZE	CAGE CODE
2 PLC ± -		PRODUCT SPEC	-	A2	00779
3 PLC ± -		APPLICATION SPEC	-	DRAWING NO	RESTRICTED TO
4 PLC ± -		WEIGHT	-	C=1586026	-
ANGLES ± -		CUSTOMER DRAWING	-	SCALE	SHEET
FINISH -		SCALE	5:1	1 of 1	REV
MATERIAL		1	-	D	-