



Chipsmall Limited consists of a professional team with an average of over 10 year of expertise in the distribution of electronic components. Based in Hongkong, we have already established firm and mutual-benefit business relationships with customers from,Europe,America and south Asia,supplying obsolete and hard-to-find components to meet their specific needs.

With the principle of “Quality Parts,Customers Priority,Honest Operation,and Considerate Service”,our business mainly focus on the distribution of electronic components. Line cards we deal with include Microchip,ALPS,ROHM,Xilinx,Pulse,ON,Everlight and Freescale. Main products comprise IC,Modules,Potentiometer,IC Socket,Relay,Connector.Our parts cover such applications as commercial,industrial, and automotives areas.

We are looking forward to setting up business relationship with you and hope to provide you with the best service and solution. Let us make a better world for our industry!



Contact us

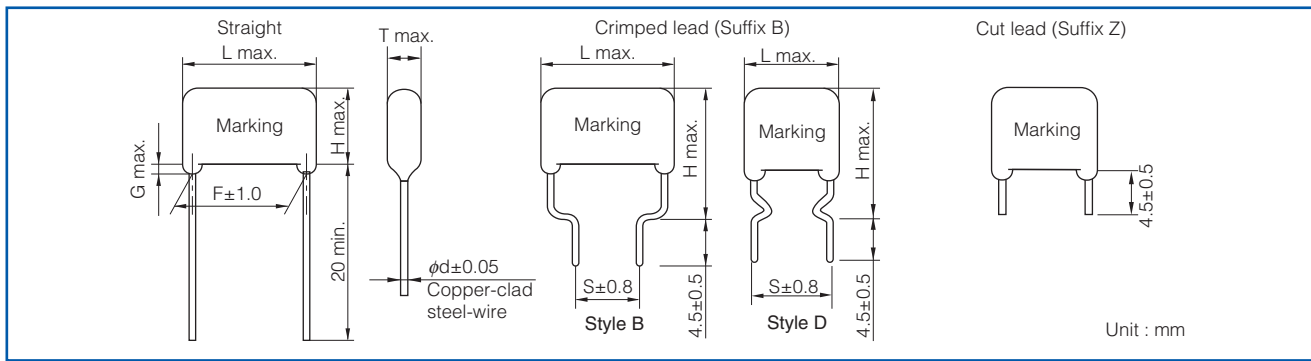
Tel: +86-755-8981 8866 Fax: +86-755-8427 6832

Email & Skype: info@chipsmall.com Web: www.chipsmall.com

Address: A1208, Overseas Decoration Building, #122 Zhenhua RD., Futian, Shenzhen, China



Dimensions

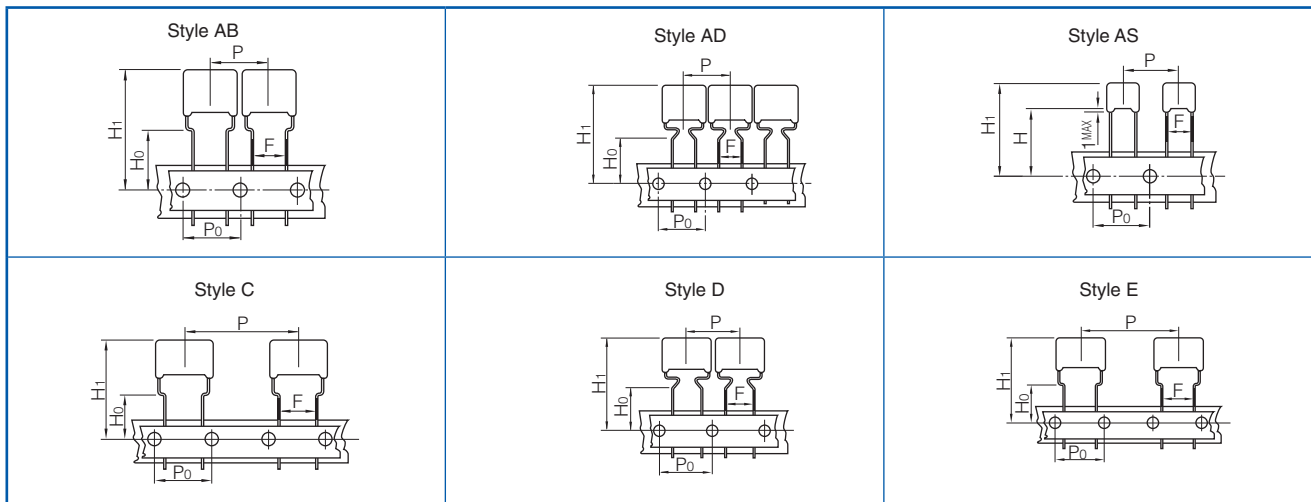


Packaging specifications for bulk package

- Packing quantity : 100 pcs./bag

Taping specifications for automatic insertion

- Taping style



* Refer to the page of taping specifications.

- Packaging specifications

Type	Rated voltage	Capacitance range (μF)	Taping style							Packing	suffix
			AD	AS	AB	B	C	D	E		
ECQE(B)	250 V.DC	0.010 to 0.15		○						Ammo	() B2
		0.010 to 0.68	○							Ammo	() B3
		0.82 to 1.5					○			Ammo	() B3
		0.18 to 0.68						○		Ammo	R() B
		0.82 to 4.7							○	Ammo	R() B
	125 V.AC	0.010 to 0.068		○						Ammo	() B2
		0.082 to 0.22			○					Ammo	() B6
		0.27 to 2.7					○			Ammo	() B3
		0.082 to 0.68						○		Ammo	R() B
		0.82 to 2.7							○	Ammo	R() B

- Lead spacing

Style	Lead spacing
AD	5.0 mm
AS	5.0 mm
AB	5.0 mm
C	5.0 mm
D	7.5 mm
E	7.5 mm

* See the column "Rating · Dimensions · Quantity" for packing quantity

Rating · Dimensions · Quantity

● Rated voltage : 250 V.DC, Capacitance tolerance : ± 5 %(J), ±10 %(K)

Part No.	Cap. (μ F)	Dimensions (mm)							Min. order Q'ty						
		L max.	T max.	H max.		F	S	ϕ d	Taping			Bulk			
				Straight	Crimped lead	Straight	Crimped lead		Standard 5 mm	Odd size 5 mm	Odd size 7.5 mm				
ECQE2103□B()	0.010	7.9	4.2	7.1	12.1	5.0	5.0	0.5	2000						
ECQE2123□B()	0.012	7.9	4.2	7.1	12.1	5.0	5.0	0.5							
ECQE2153□B()	0.015	7.9	4.2	7.1	12.1	5.0	5.0	0.5							
ECQE2183□B()	0.018	7.9	4.3	7.2	12.2	5.0	5.0	0.5							
ECQE2223□B()	0.022	7.9	4.3	7.2	12.2	5.0	5.0	0.5							
ECQE2273□B()	0.027	7.9	4.3	7.2	12.2	5.0	5.0	0.5							
ECQE2333□B()	0.033	7.9	4.3	7.2	12.2	5.0	5.0	0.5							
ECQE2393□B()	0.039	7.9	4.5	7.4	12.4	5.0	5.0	0.5	1500		-				
ECQE2473□B()	0.047	7.9	4.5	7.4	12.4	5.0	5.0	0.5							
ECQE2563□B()	0.056	7.9	4.7	7.7	12.7	5.0	5.0	0.5							
ECQE2683□B()	0.068	7.9	5.1	8.0	13.0	5.0	5.0	0.5							
ECQE2823□B()	0.082	7.9	5.4	8.6	13.6	5.0	5.0	0.5	1000		-				
ECQE2104□B()	0.10	7.9	5.9	9.0	14.0	5.0	5.0	0.5							
ECQE2124□B()	0.12	7.9	5.7	10.6	15.6	5.0	5.0	0.5							
ECQE2154□B()	0.15	7.9	6.3	11.2	16.2	5.0	5.0	0.5	1000						
ECQE2184□B()	0.18	10.3	5.0	9.7	14.7	7.5	5.0	0.5	1500		1500	500			
ECQE2224□B()	0.22	10.3	5.4	10.1	15.1	7.5	5.0	0.5							
ECQE2274□B()	0.27	10.3	5.9	10.8	15.8	7.5	5.0	0.5	1000		1000				
ECQE2334□B()	0.33	10.3	6.4	11.3	16.3	7.5	5.0	0.5							
ECQE2394□B()	0.39	12.3	5.7	10.9	15.9	10.0	5.0	0.6							
ECQE2474□B()	0.47	12.3	6.2	11.4	16.4	10.0	5.0	0.6							
ECQE2564□B()	0.56	12.3	6.7	11.9	16.9	10.0	5.0	0.6							
ECQE2684□B()	0.68	12.3	7.3	12.7	17.7	10.0	5.0	0.6							
ECQE2824□B()	0.82	15.3	6.3	13.3	18.3	12.5	5.0	0.6	-		600			500	
ECQE2105□B()	1.0	15.3	7.0	14.0	19.0	12.5	5.0	0.6			500			400	
ECQE2125□B()	1.2	15.3	7.6	14.6	19.6	12.5	5.0	0.6			400	300			
ECQE2155□B()	1.5	15.3	8.6	15.7	20.7	12.5	5.0	0.6			-			400	
ECQE2185□B()	1.8	20.8	7.6	14.6	19.6	17.5	10.0	0.8							
ECQE2225□B()	2.2	20.8	8.4	15.6	20.6	17.5	10.0	0.8							
ECQE2275□B()	2.7	20.8	9.3	16.7	21.7	17.5	10.0	0.8							
ECQE2335□B()	3.3	20.8	10.5	17.9	22.9	17.5	10.0	0.8			-		300		
ECQE2395□B()	3.9	20.8	10.8	19.8	24.8	17.5	10.0	0.8							
ECQE2475□B()	4.7	20.8	11.9	21.0	26.0	17.5	10.0	0.8							

* □ : Capacitance tolerance code
() : Suffix for lead crimped or taped type

Style D : 0.010 μ F to 0.68 μ F
Style B : 0.82 μ F to 4.7 μ F

Rating · Dimensions · Quantity

● Rated voltage : 125 V.AC, Capacitance tolerance : ± 5 %(J), ±10 %(K)

Part No.	Cap. (μF)	Dimensions (mm)							Min. order Q'ty							
		L max.	T max.	H max.		F		S	φd	Taping			Bulk			
				Straight	Crimped lead	Straight	Crimped lead	Standard 5 mm		Odd size 5 mm	Odd size 7.5 mm					
ECQE1A103□B()	0.010	7.9	4.2	7.1		5.0		0.5	2000							
ECQE1A123□B()	0.012	7.9	4.2	7.1		5.0		0.5								
ECQE1A153□B()	0.015	7.9	4.2	7.1		5.0		0.5								
ECQE1A183□B()	0.018	7.9	4.3	7.2		5.0		0.5								
ECQE1A223□B()	0.022	7.9	4.3	7.2		5.0		0.5								
ECQE1A273□B()	0.027	7.9	4.3	7.2	-	5.0	-	0.5								
ECQE1A333□B()	0.033	7.9	4.3	7.2		5.0		0.5								
ECQE1A393□B()	0.039	7.9	4.5	7.4		5.0		0.5								
ECQE1A473□B()	0.047	7.9	4.8	7.7		5.0		0.5								
ECQE1A563□B()	0.056	7.9	5.1	8.0		5.0		0.5								
ECQE1A683□B()	0.068	7.9	5.4	8.6		5.0		0.5								
ECQE1A823□B()	0.082	10.3	4.6	7.6	12.6	7.5	7.5	0.5					1500		1500	
ECQE1A104□B()	0.10	10.3	5.1	7.7	12.7	7.5	7.5	0.5								
ECQE1A124□B()	0.12	10.3	5.3	8.4	13.4	7.5	7.5	0.5								
ECQE1A154□B()	0.15	10.3	5.7	8.9	13.9	7.5	7.5	0.5								
ECQE1A184□B()	0.18	10.3	5.6	10.3	15.3	7.5	7.5	0.5								
ECQE1A224□B()	0.22	10.3	6.1	11.0	16.0	7.5	7.5	0.5	1000		1000	500				
ECQE1A274□B()	0.27	12.3	5.4	10.7	15.7	10.0	7.5	0.6								
ECQE1A334□B()	0.33	12.3	5.9	11.2	16.2	10.0	7.5	0.6								
ECQE1A394□B()	0.39	12.3	6.4	11.6	16.6	10.0	7.5	0.6								
ECQE1A474□B()	0.47	12.3	7.0	12.2	17.2	10.0	7.5	0.6								
ECQE1A564□B()	0.56	12.3	6.7	11.9	16.9	10.0	7.5	0.6								
ECQE1A684□B()	0.68	12.3	7.3	12.7	17.7	10.0	7.5	0.6								
ECQE1A824□B()	0.82	15.3	6.3	13.3	18.3	12.5	7.5	0.6								
ECQE1A105□B()	1.0	15.3	7.0	14.0	19.0	12.5	7.5	0.6								
ECQE1A125□B()	1.2	20.8	7.1	14.1	19.1	17.5	10.0	0.8					-			
ECQE1A155□B()	1.5	20.8	8.0	15.1	20.1	17.5	10.0	0.8								
ECQE1A185□B()	1.8	20.8	8.7	15.9	20.9	17.5	10.0	0.8								
ECQE1A225□B()	2.2	20.8	9.7	17.1	22.1	17.5	10.0	0.8								
ECQE1A275□B()	2.7	20.8	10.9	18.2	23.2	17.5	10.0	0.8								
ECQE1A335□B()	3.3	25.8	9.6	18.7	23.7	22.5	15.0	0.8								
ECQE1A395□B()	3.9	25.8	10.6	19.7	24.7	22.5	15.0	0.8								
ECQE1A475□B()	4.7	25.8	11.8	20.8	25.8	22.5	15.0	0.8								

* □ : Capacitance tolerance code
 () : Suffix for lead crimped or taped type

Style D : 0.082 μF to 0.68 μF
 Style B : 0.82 μF to 4.7 μF

Notice for AC rated

AC rated capacitors complying with clause 1 of "Electrical Appliance and Material Safety Law".
 As for clause 2 of "Electrical Appliance and Material Safety Law", please use ECQUA type or ECQUL type.

When using these capacitors as a across-the-line capacitor, it shall be required to follow either item 1. or item 2. condition.

1. Capacitor shall be connected in parallel with varistor (Specified varistor voltage in table 1.)
2. Voltage applied for capacitor shall not exceed other than specified in table 1, when using these capacitors.

Table 1

Capacitor rated voltage	Varistor voltage	Pulse voltage
125 V.AC	250 V	250 V _{0,P}