



Chipsmall Limited consists of a professional team with an average of over 10 year of expertise in the distribution of electronic components. Based in Hongkong, we have already established firm and mutual-benefit business relationships with customers from,Europe,America and south Asia,supplying obsolete and hard-to-find components to meet their specific needs.

With the principle of “Quality Parts,Customers Priority,Honest Operation,and Considerate Service”,our business mainly focus on the distribution of electronic components. Line cards we deal with include Microchip,ALPS,ROHM,Xilinx,Pulse,ON,Everlight and Freescale. Main products comprise IC,Modules,Potentiometer,IC Socket,Relay,Connector.Our parts cover such applications as commercial,industrial, and automotives areas.

We are looking forward to setting up business relationship with you and hope to provide you with the best service and solution. Let us make a better world for our industry!



## Contact us

Tel: +86-755-8981 8866 Fax: +86-755-8427 6832

Email & Skype: info@chipsmall.com Web: www.chipsmall.com

Address: A1208, Overseas Decoration Building, #122 Zhenhua RD., Futian, Shenzhen, China



## Metallized Polyester Film Capacitor

Type: **ECQE(H)**

Non-inductive construction using metallized Polyester film with flame retardant epoxy resin coating for active filter

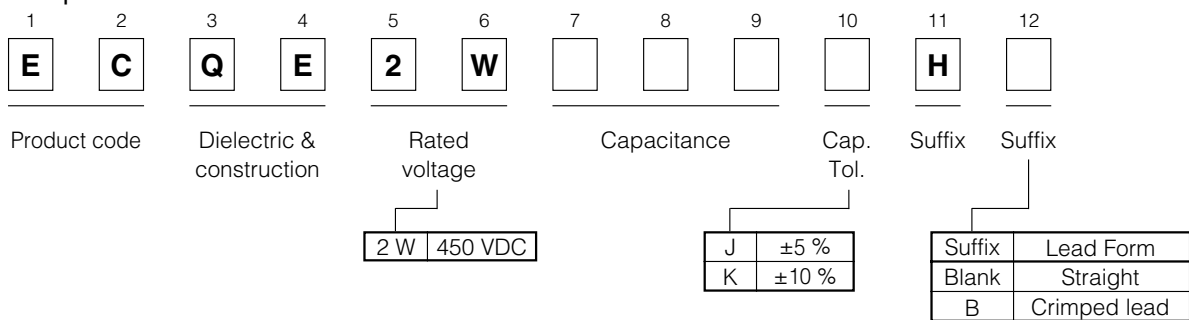
### ■ Features

- Smaller size
- Self-healing property
- Excellent electrical characteristics
- Flame retardant epoxy resin coating
- RoHS directive compliant

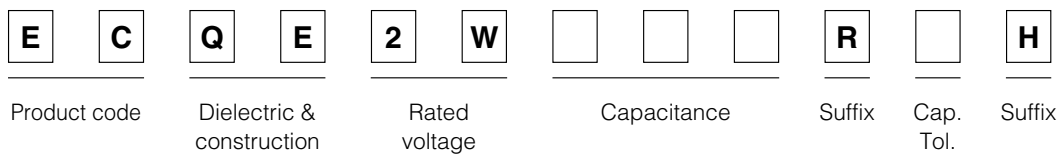
### ■ Recommended Applications

- Active filter circuit

### ■ Explanation of Part Numbers



### ■ Explanation of Part Number for Odd Size Taping

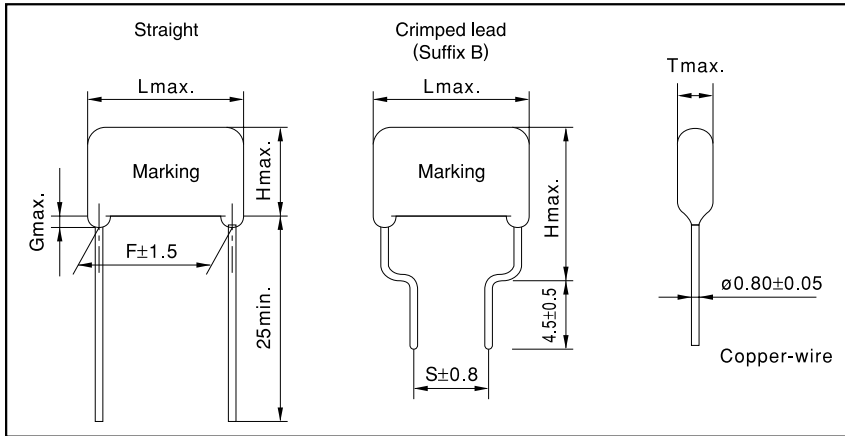


### ■ Specifications

Category temp. range	-40 °C to +105 °C
Rated voltage	450 VDC (Derating of rated voltage by 1.25%/°C at more than 85 °C)
Capacitance range	0.10 μF to 2.2 μF (E6)
Capacitance tolerance	±5 % (J), ±10 % (K)
Dissipation factor (tan δ)	tan δ ≤ 1.0 % (20 °C, 1 kHz)
Withstand voltage	Between terminals: Rated voltage (VDC) × 150 % 60 s Between terminals to enclosure: Rated voltage (VDC) × 200 % 1 s to 5 s
Insulation resistance (IR)	C ≤ 0.33 μF : IR ≥ 9000 MΩ C > 0.33 μF : IR ≥ 3000 MΩ · μF (20 °C, 100 VDC, 60 s)

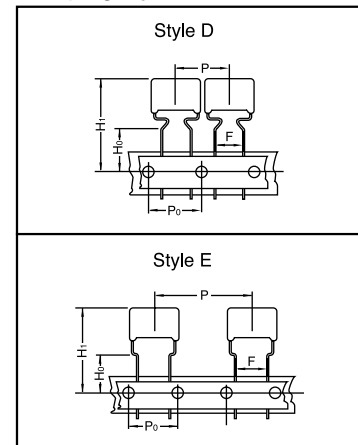
\* Application of this capacitor is limited to active filter circuit after the circuit of all wave rectification.

### ■ Dimensions in mm (not to scale)



### ■ Taping Specifications for Automatic Insertion

#### ● Taping style



\*Refer to the page of taping specifications.

### ■ Packaging Specifications for Bulk Package

Packing quantity: 100 pcs./bag

### ● Packaging Specifications

Type	Rated volt.	Cap. range (μF)	Taping style						Packing	suffix
			AD	AS	B	C	D	E		
ECQE(H)	450 VDC	0.10 to 0.47					○		Ammo	R( )H
		0.68 to 1.0						○	Ammo	R( )H

### ● Lead Spacing

Style	Lead Spacing
D	7.5 mm
E	7.5 mm

\*See the column "Rating, Dimensions & Quantity Box" for packing quantity.

### ■ Rating, Dimensions & Quantity/Ammo Box

● Rated voltage : 450 VDC, Capacitance tolerance : ±5 % (J), ±10 % (K)

【Standard type】

Part No.	Cap. (μF)	Dimensions (mm)								Quantity
		L max.	T max.	H max.		F	S	G max.	ød	
				Straight	Crimped lead					
ECQE2W104□H( )	0.10	12.7	4.2	10.9	15.9	10.0	5.0	1.0	0.6	1500
ECQE2W154□H( )	0.15	12.7	4.9	11.6	16.6	10.0	5.0	1.0	0.6	1000
ECQE2W224□H( )	0.22	12.7	5.8	12.5	17.5	10.0	5.0	1.0	0.6	1000
ECQE2W334□H( )	0.33	12.7	6.5	14.7	19.7	10.0	5.0	1.0	0.6	900
ECQE2W474□H( )	0.47	12.7	7.7	16.0	21.0	10.0	5.0	1.0	0.6	800
ECQE2W684□H( )	0.68	18.2	6.9	15.3	20.3	15.0	10.0	1.0	0.8	500
ECQE2W105□H( )	1.0	18.2	8.5	16.9	21.9	15.0	10.0	1.0	0.8	400
ECQE2W155□H( )	1.5	25.7	8.2	16.2	21.2	22.5	15.0	1.0	0.8	-
ECQE2W225□H( )	2.2	25.7	9.4	19.7	24.7	22.5	15.0	1.0	0.8	-

↑ Suffix for lead crimped  
 ↑ Capacitance tolerance code

\*Please consult us for low profile type.

### 【Low Profile type complying with passive flammability category B based on IEC60065】

Part No.	Cap. (μF)	Dimensions (mm)						Quantity
		L max.	T max.	H max.	F	G max.	ød	
ECQE2W684L24	0.68	18.2	8.1	13.3	15.0	1.0	0.8	500
ECQE2W105L24	1.0	18.2	9.7	14.9	15.0	1.0	0.8	400
ECQE2W155L02	1.5	25.7	9.4	14.2	22.5	1.0	0.8	-
ECQE2W225L02	2.2	25.7	11.3	16.2	22.5	1.0	0.8	-

\*Please consult us for crimped lead and taping.