



Chipsmall Limited consists of a professional team with an average of over 10 year of expertise in the distribution of electronic components. Based in Hongkong, we have already established firm and mutual-benefit business relationships with customers from,Europe,America and south Asia,supplying obsolete and hard-to-find components to meet their specific needs.

With the principle of “Quality Parts,Customers Priority,Honest Operation,and Considerate Service”,our business mainly focus on the distribution of electronic components. Line cards we deal with include Microchip,ALPS,ROHM,Xilinx,Pulse,ON,Everlight and Freescale. Main products comprise IC,Modules,Potentiometer,IC Socket,Relay,Connector.Our parts cover such applications as commercial,industrial, and automotives areas.

We are looking forward to setting up business relationship with you and hope to provide you with the best service and solution. Let us make a better world for our industry!



Contact us

Tel: +86-755-8981 8866 Fax: +86-755-8427 6832

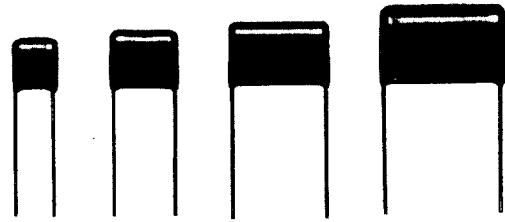
Email & Skype: info@chipsmall.com Web: www.chipsmall.com

Address: A1208, Overseas Decoration Building, #122 Zhenhua RD., Futian, Shenzhen, China



ECQ-E Series

The type ECQ-E series is using a dual side metallized polyester film with high dielectric constant (ϵ) which makes it possible to produce large C-values in small dimensions, and is economical capacitor meeting high requirements for professional circuit design.



■ Features

- Self-healing property
- Flame retardant epoxy resin coating
- Available for wide automatic insertion range (Not standard/upon request)
- Excellent high frequency characteristics

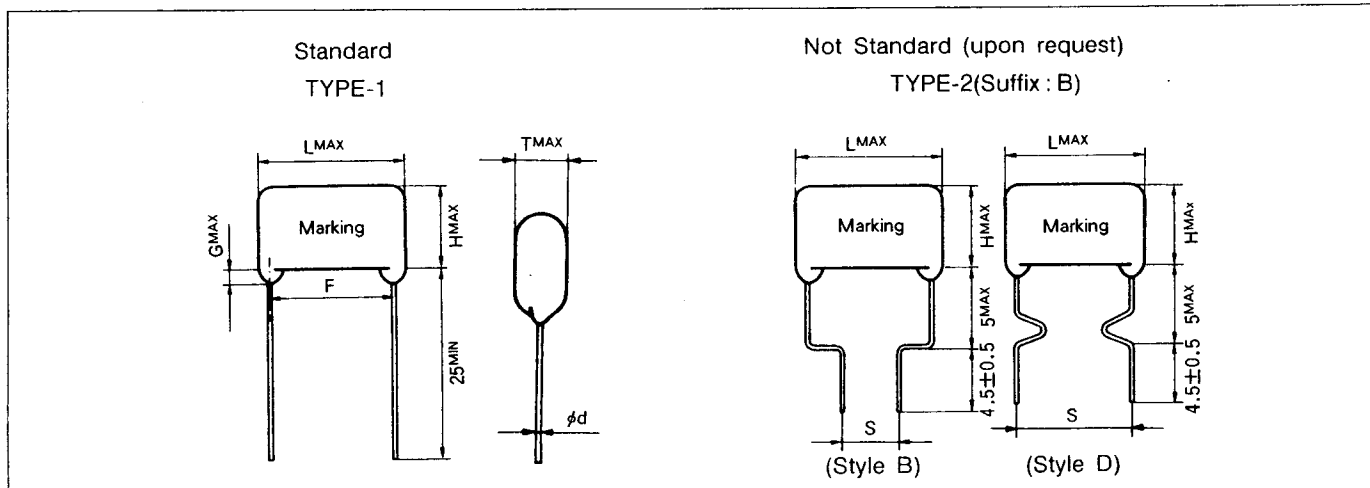
■ Applications

- Blocking, by-pass and coupling of DC and signals to VHF range
- Pulse, logic and timing circuit
- Filter and noise suppression circuit
- General purpose usage in both consumer and industrial equipment.

■ Specifications

Operating temp. range	-40~+85°C (At +105°C with 75% of rated voltage)	
Rated voltage	DC 100V, 250V, 400V, 630V,	
Capacitance range	0.001~10 μ F	
Capacitance tolerance	$\pm 10\%$ (K) [($\pm 5\%$ (J) upon request), Not standard]	
Dissipation factor	$\leq 1.0\%$ (20°C, 1kHz)	
Withstand voltage	Between terminals : rated voltage (V DC) $\times 150\%$ 1minute	
Isulation resistance	C $\leq 0.33\mu$ F : $\geq 9000M\Omega$ C > 0.33 μ F : $\geq 3000M\Omega \cdot \mu$ F (20°C, DC 100V, 1minute)	
Construction	Metallized polyester film, flame retardant epoxy coating	
Lead material	Solder-plated copper wire	100VDC, 250VDC
	Solder-plated copper-clad steel wire	400VDC, 630VDC,

■ Dimensions



100VDC Series

■ TYPE-Z

Part code	Capacitance (μ F)	Dimensions(mm)							
		L ^{MAX}	T ^{MAX}	H ^{MAX}	F \pm 0.75	S \pm 0.8	G ^{MAX}	ϕ d \pm 0.05	TYPE-2 Style
					TYPE-1	TYPE-2	TYPE-1		
ECQ E1104KZ()	0.1	12.0	4.0	7.5	10.0	5.0	1.0	0.6	B
" 1124KZ()	0.12	"	4.5	"	"	"	"	"	"
" 1154KZ()	0.15	"	4.0	9.5	"	"	"	"	"
" 1184KZ()	0.18	"	4.5	10.0	"	"	"	"	"
" 1224KZ()	0.22	"	5.0	10.5	"	"	"	"	"
" 1274KZ()	0.27	17.0	4.5	8.0	15.0	10.0	"	"	"
" 1334KZ()	0.33	"	"	10.0	"	"	"	"	"
" 1394KZ()	0.39	"	5.0	"	"	"	"	"	"
" 1474KZ()	0.47	"	5.5	11.0	"	"	"	"	"
" 1564KZ()	0.56	"	6.5	11.5	"	"	"	0.8	"
" 1684KZ()	0.68	"	7.0	12.0	"	"	"	"	"
" 1824KZ()	0.82	"	7.5	13.0	"	"	"	"	"
" 1105KZ()	1.0	"	8.0	14.0	"	"	"	"	"
" 1125KZ()	1.2	"	8.5	16.0	"	"	"	"	"
" 1155KZ()	1.5	25.5	7.5	14.5	22.5	15.0	"	"	"
" 1185KZ()	1.8	"	8.5	16.0	"	"	"	"	"
" 1225KZ()	2.2	"	9.5	16.5	"	"	"	"	"
" 1275KZ()	2.7	"	10.0	18.5	"	"	"	"	"
" 1335KZ()	3.3	"	"	19.0	"	"	"	"	"
" 1395KZ()	3.9	30.5	11.0	18.0	27.5	20.0	1.5	"	"
" 1475KZ()	4.7	"	"	20.5	"	"	"	"	"
" 1565KZ()	5.6	"	12.5	21.0	"	"	"	"	"
" 1685KZ()	6.8	"	13.0	24.0	"	"	"	"	"
" 1825KZ()	8.2	"	15.0	25.0	"	"	"	"	"
" 1106KZ()	10.0	"	16.0	27.0	"	"	"	"	"

↑ Suffix "B" for Crimped lead as type-2 (Not standard)

■ TYPE-F (NEW MINI-DIP)

Part code	Capacitance (μ F)	Dimensions (mm)							
		L ^{MAX}	T ^{MAX}	H ^{MAX}	F \pm 1.0	S \pm 0.8	G ^{MAX}	ϕ d \pm 0.05	TYPE-2 Style
					TYPE-1	TYPE-2	TYPE-1		
ECQE1103KF ()	0.01	7.8	4.6	7.7	5.0	5.0	1.0	0.5	D
“ 1123KF ()	0.012	“	4.5	7.6	“	“	“	“	“
“ 1153KF ()	0.015	“	“	“	“	“	“	“	“
“ 1183KF ()	0.018	“	4.6	7.7	“	“	“	“	“
“ 1223KF ()	0.022	“	4.9	8.0	“	“	“	“	“
“ 1273KF ()	0.027	“	4.7	7.8	“	“	“	“	“
“ 1333KF ()	0.033	“	4.6	7.7	“	“	“	“	“
“ 1393KF ()	0.039	“	4.9	8.0	“	“	“	“	“
“ 1473KF ()	0.047	“	4.5	7.5	“	“	“	“	“
“ 1563KF ()	0.056	“	4.8	7.9	“	“	“	“	“
“ 1683KF ()	0.068	“	“	“	“	“	“	“	“
“ 1823KF ()	0.082	“	4.7	9.9	“	“	“	“	“
“ 1104KF ()	0.1	“	5.0	10.0	“	“	“	“	“
“ 1124KF ()	0.12	10.3	4.5	7.5	7.5	7.5	“	0.6	“
“ 1154KF ()	0.15	“	“	“	“	“	“	“	“
“ 1184KF ()	0.18	“	4.8	7.9	“	“	“	“	“
“ 1224KF ()	0.22	“	5.0	8.0	“	“	“	“	“
“ 1274KF ()	0.27	“	4.5	12.0	“	“	“	“	“
“ 1334KF ()	0.33	“	6.0	10.7	“	“	“	“	“
“ 1394KF ()	0.39	“	6.3	11.0	“	“	“	“	“
“ 1474KF ()	0.47	“	6.0	12.0	“	“	“	“	“
“ 1564KF ()	0.56	12.0	5.5	10.9	10.0	10.0	“	“	“
“ 1684KF ()	0.68	“	6.0	11.9	“	“	“	“	“
“ 1824KF ()	0.82	“	“	13.5	“	“	“	“	“
“ 1105KF ()	1.0	“	6.7	14.0	“	“	“	“	“
“ 1125KF ()	1.2	18.5	5.5	12.8	15.0	“	“	“	B
“ 1155KF ()	1.5	“	6.0	13.4	“	“	“	0.8	“
“ 1185KF ()	1.8	“	6.5	14.4	“	“	“	“	“
“ 1225KF ()	2.2	“	7.0	15.0	“	“	“	“	“
“ 1275KF ()	2.7	“	8.0	15.8	“	“	“	“	“
“ 1335KF ()	3.3	“	8.5	16.5	“	“	“	“	“
“ 1395KF ()	3.9	26.0	7.0	16.4	22.5	15.0	“	“	“
“ 1475KF ()	4.7	“	7.5	17.0	“	“	“	“	“
“ 1565KF ()	5.6	“	8.3	17.5	“	“	“	“	“
“ 1685KF ()	6.8	“	9.0	18.5	“	“	“	“	“
“ 1825KF ()	8.2	“	10.0	20.0	“	“	1.5	“	“
“ 1106KF ()	10.0	“	11.5	21.0	“	“	“	“	“

↑—— Suffix "B" for Crimped lead as Type-2. Not standard

250VDC Series

TYPE-S

Part code	Capacitance (μ F)	Dimensions (mm)							
		L ^{MAX}	T ^{MAX}	H ^{MAX}	F \pm 0.75	S \pm 0.8	G ^{MAX}	ϕ d \pm 0.05	TYPE-2 Style
					TYPE-1	TYPE-2	TYPE-1		
ECQ E2103KS()	.01	12.5	5.0	8.0	10.0	7.5	1.0	0.6	B
" 2123KS()	.012	"	4.5	"	"	"	"	"	"
" 2153KS()	.015	"	5.0	"	"	"	"	"	"
" 2183KS()	.018	"	4.5	"	"	"	"	"	"
" 2223KS()	.022	"	"	"	"	"	"	"	"
" 2273KS()	.027	"	5.0	"	"	"	"	"	"
" 2333KS()	.033	"	4.5	"	"	"	"	"	"
" 2393KS()	.039	"	5.0	"	"	"	"	"	"
" 2473KS()	.047	"	4.5	7.5	"	"	"	"	"
" 2563KS()	.056	"	5.0	8.0	"	"	"	"	"
" 2683KS()	.068	"	"	"	"	"	"	"	"
" 2823KS()	.082	"	"	10.0	"	"	"	"	"
" 2104KS()	.1	"	"	10.5	"	"	"	"	"
" 2124KS()	.12	17.5	"	10.0	15.0	"	"	0.8	"
" 2154KS()	.15	"	5.5	10.5	"	"	"	"	"
" 2184KS()	.18	"	"	"	"	10.0	"	"	"
" 2224KS()	.22	"	"	11.0	"	"	"	"	"
" 2274KS()	.27	23.0	"	10.5	20.0	"	"	"	"
" 2334KS()	.33	"	"	11.0	"	"	"	"	"
" 2394KS()	.39	"	6.0	11.5	"	12.5	"	"	"
" 2474KS()	.47	"	6.5	12.0	"	"	"	"	"
" 2564KS()	.56	"	7.0	12.5	"	"	"	"	"
" 2684KS()	.68	"	7.5	13.5	"	"	"	"	"
" 2824KS()	.82	31.0	7.0	12.5	27.5	17.5	"	"	"
" 2105KS()	1.0	"	7.5	13.5	"	"	"	"	"
" 2125KS()	1.2	"	"	15.5	"	"	"	"	"
" 2155KS()	1.5	"	8.5	16.5	"	"	"	"	"
" 2185KS()	1.8	"	"	18.0	"	"	"	"	"
" 2225KS()	2.2	"	9.5	19.5	"	"	"	"	"
" 2275KS()	2.7	"	11.0	20.5	"	"	1.5	"	"
" 2335KS()	3.3	"	12.5	22.0	"	"	"	"	"
" 2395KS()	3.9	"	13.5	23.0	"	"	"	"	"
" 2475KS()	4.7	"	15.0	24.5	"	"	"	"	"
" 2565KS()	5.6	42.5	14.0	23.0	38.5	30.0	"	"	"
" 2685KS()	6.8	"	15.5	25.0	"	"	"	"	"
" 2825KS()	8.2	"	17.0	27.0	"	"	"	1.0	"
" 2106KS()	10.0	"	19.5	29.0	"	"	"	"	"

↑ Suffix "B" for Crimped lead as Type-2. Not standard

■ TYPE-F (NEW MINI-DIP)

Part code	Capacitance (μ F)	Dimensions (mm)								
		L ^{MAX}	T ^{MAX}	H ^{MAX}	F \pm 1.0		S \pm 0.8		G ^{MAX}	TYPE-2 Style
					TYPE-1	TYPE-2	TYPE-1	TYPE-1	ϕ d \pm 0.05	
ECQ E2103KF ()	.01	10.3	4.3	7.4	7.5	7.5	1.0	0.6	D	
" 2123KF ()	.012	"	4.4	7.5	"	"	"	"	"	
" 2153KF ()	.015	"	"	"	"	"	"	"	"	
" 2183KF ()	.018	"	"	"	"	"	"	"	"	
" 2223KF ()	.022	"	"	"	"	"	"	"	"	
" 2273KF ()	.027	"	"	"	"	"	"	"	"	
" 2333KF ()	.033	"	4.5	"	"	"	"	"	"	
" 2393KF ()	.039	"	"	"	"	"	"	"	"	
" 2473KF ()	.047	"	"	"	"	"	"	"	"	
" 2563KF ()	.056	"	4.8	7.9	"	"	"	"	"	
" 2683KF ()	.068	"	4.5	7.5	"	"	"	"	"	
" 2823KF ()	.082	"	4.9	8.0	"	"	"	"	"	
" 2104KF ()	.1	"	5.8	8.4	"	"	"	"	"	
" 2124KF ()	.12	"	6.0	9.0	"	"	"	"	"	
" 2154KF ()	.15	"	"	10.8	"	"	"	"	"	
" 2184KF ()	.18	12.0	5.0	10.3	10.0	10.0	"	"	"	
" 2224KF ()	.22	"	5.5	10.5	"	"	"	"	"	
" 2274KF ()	.27	"	6.0	11.5	"	"	"	"	"	
" 2334KF ()	.33	"	6.5	12.0	"	"	"	"	"	
" 2394KF ()	.39	18.5	4.9	"	15.0	"	"	"	B	
" 2474KF ()	.47	"	5.3	12.5	"	"	"	"	"	
" 2564KF ()	.56	"	5.5	13.0	"	"	"	"	"	
" 2684KF ()	.68	"	6.0	13.5	"	"	"	0.8	"	
" 2824KF ()	.82	"	6.5	14.5	"	"	"	"	"	
" 2105KF ()	1.0	"	7.4	15.0	"	"	"	"	"	
" 2125KF ()	1.2	"	8.0	15.9	"	"	"	"	"	
" 2155KF ()	1.5	"	9.0	16.8	"	"	"	"	"	
" 2185KF ()	1.8	26.0	7.5	15.5	22.5	15.0	"	"	"	
" 2225KF ()	2.2	"	8.5	16.3	"	"	"	"	"	
" 2275KF ()	2.7	"	9.4	17.0	"	"	"	"	"	
" 2335KF ()	3.3	"	10.3	18.0	"	"	1.5	"	"	
" 2395KF ()	3.9	"	11.0	20.5	"	"	"	"	"	
" 2475KF ()	4.7	"	12.0	21.5	"	"	"	"	"	
" 2565KF ()	5.6	31.0	11.8	21.0	27.5	22.5	"	"	"	
" 2685KF ()	6.8	"	13.0	22.4	"	"	"	"	"	
" 2825KF ()	8.2	"	14.3	23.5	"	"	"	"	"	
" 2106KF ()	10.0	"	15.9	25.8	"	"	"	"	"	

↑ Suffix "B" for Crimped lead as Type-2. Not standard

400VDC Series

■ TYPE-Z

Part code	Capacitance (μF)	Dimensions (mm)							
		C^{MAX}	T^{MAX}	H^{MAX}	$F \pm 1.25$	$S \pm 0.8$	G^{MAX}	$\phi d \pm 0.05$	TYPE-2 Style
					TYPE-1	TYPE-2	TYPE-1		
ECQ E4103 KZ ()	.01	13.5	4.5	8.0	10.5	7.5	1.0	0.6	B
" 4123 KZ ()	.012	"	5.0	"	"	"	"	"	"
" 4153 KZ ()	.015	"	4.5	"	"	"	"	"	"
" 4183 KZ ()	.018	"	5.0	"	"	"	"	"	"
" 4223 KZ ()	.022	"	"	10.0	"	"	"	"	"
" 4273 KZ ()	.027	"	"	10.5	"	"	"	"	"
" 4333 KZ ()	.033	"	5.5	11.0	"	"	"	"	"
" 4393 KZ ()	.039	"	6.0	11.5	"	"	"	"	"
" 4473 KZ ()	.047	"	6.5	12.0	"	"	"	"	"
" 4563 KZ ()	.056	16.5	6.0	11.0	13.5	10.0	"	"	"
" 4683 KZ ()	.068	"	6.5	12.0	"	"	"	"	"
" 4823 KZ ()	.082	"	7.0	12.5	"	"	"	"	"
" 4104 KZ ()	.111	"	"	14.5	"	"	"	"	"
" 4124 KZ ()	.12	"	7.5	15.0	"	"	"	"	"
" 4154 KZ ()	.15	"	8.0	16.0	"	"	"	0.8	"
" 4184 KZ ()	.18	"	9.0	16.5	"	"	"	"	"
" 4224 KZ ()	.22	24.0	7.5	15.0	20.5	12.5	"	"	"
" 4274 KZ ()	.27	"	8.0	16.0	"	"	"	"	"
" 4334 KZ ()	.33	"	9.0	16.5	"	"	"	"	"
" 4394 KZ ()	.39	29.0	8.5	16.0	25.5	17.5	1.5	"	"
" 4474 KZ ()	.47	"	9.0	17.0	"	"	"	"	"
" 4564 KZ ()	.56	"	10.0	17.5	"	"	"	"	"
" 4684 KZ ()	.68	"	11.5	18.5	"	"	"	"	"
" 4824 KZ ()	.82	"	12.5	20.5	"	"	"	"	"
" 4105 KZ ()	1.0	"	14.0	21.5	"	"	"	"	"
" 4125 KZ ()	1.2	"	14.5	24.0	"	"	"	"	"
" 4155 KZ ()	1.5	42.5	12.5	22.0	38.5	27.5	"	"	"
" 4185 KZ ()	1.8	"	13.5	23.0	"	"	"	"	"
" 4225 KZ ()	2.2	"	15.0	24.5	"	"	"	"	"

↑ Suffix "B" for Crimped lead as Type-2. Not standard

■ TYPE-F (NEW MINI-DIP)

Part code	Capacitance (μ F)	Dimensions (mm)							
		L ^{MAX}	T ^{MAX}	H ^{MAX}	F \pm 1.0	S \pm 0.8	G ^{MAX}	ϕ d \pm 0.05	TYPE-2 Style
					TYPE-1	TYPE-2	TYPE-1		
ECQ E4103 KF ()	.01	10.3	4.3	7.4	7.5	7.5	1.0	0.6	D
" 4123 KF ()	.012	"	4.4	7.5	"	"	"	"	"
" 4153 KF ()	.015	"	"	"	"	"	"	"	"
" 4183 KF ()	.018	"	"	"	"	"	"	"	"
" 4223 KF ()	.022	"	4.8	7.9	"	"	"	"	"
" 4273 KF ()	.027	"	5.5	8.0	"	"	"	"	"
" 4333 KF ()	.033	"	6.0	9.0	"	"	"	"	"
" 4393 KF ()	.039	12.0	4.9	8.0	10.0	10.0	"	"	"
" 4473 KF ()	.047	"	5.0	8.3	"	"	"	"	"
" 4563 KF ()	.056	"	"	10.0	"	"	"	"	"
" 4683 KF ()	.068	"	5.4	10.5	"	"	"	"	"
" 4823 KF ()	.082	"	5.8	11.0	"	"	"	"	"
" 4104 KF ()	.11	"	6.3	12.0	"	"	"	"	"
" 4124 KF ()	.12	18.5	5.0	10.0	15.0	"	"	"	B
" 4154 KF ()	.15	"	"	12.4	"	"	"	"	"
" 4184 KF ()	.18	"	5.4	12.5	"	"	"	"	"
" 4224 KF ()	.22	"	5.9	13.0	"	"	"	"	"
" 4274 KF ()	.27	"	6.5	14.3	"	"	"	0.8	"
" 4334 KF ()	.33	"	7.0	14.9	"	"	"	"	"
" 4394 KF ()	.39	"	7.5	15.4	"	"	"	"	"
" 4474 KF ()	.47	"	7.8	17.0	"	"	"	"	"
" 4564 KF ()	.56	26.0	6.5	16.0	22.5	15.0	"	"	"
" 4684 KF ()	.68	"	7.0	16.5	"	"	"	"	"
" 4824 KF ()	.82	"	7.9	17.3	"	"	"	"	"
" 4105 KF ()	1.0	"	8.5	18.0	"	"	"	"	"
" 4125 KF ()	1.2	"	9.5	18.9	"	"	"	"	"
" 4155 KF ()	1.5	31.0	"	19.0	27.5	22.5	"	"	"
" 4185 KF ()	1.8	"	11.0	20.5	"	"	1.5	"	"
" 4225 KF ()	2.2	"	"	22.0	"	"	"	"	"

↑ Suffix "B" for Crimped lead as Type-2. Not standard

630 VDC Series

■ TYPE-Z

Part code	Capacitance (μF)	Dimensions(mm)							TYPE-2 Style
		L^{MAX}	T^{MAX}	H^{MAX}	$F \pm 1.25$ TYPE-1	$S \pm 0.8$ TYPE-2	G^{MAX} TYPE-1	$\phi d \pm 0.05$	
ECQ E6103KZ()	.01	13.5	5.0	8.0	10.5	7.5	1.0	0.6	B
" 6123KZ()	.012	"	"	10.0	"	"	"	"	"
" 6153KZ()	.015	"	5.5	10.5	"	"	"	"	"
" 6183KZ()	.018	"	"	11.0	"	"	"	"	"
" 6223KZ()	.022	"	6.0	12.0	"	"	"	"	"
" 6273KZ()	.027	16.5	5.0	12.5	13.5	10.0	"	"	"
" 6333KZ()	.033	"	5.5	12.0	"	"	"	"	"
" 6393KZ()	.039	"	6.0	"	"	"	"	"	"
" 6473KZ()	.047	"	6.5	13.5	"	"	"	"	"
" 6563KZ()	.056	"	7.0	14.0	"	"	"	"	"
" 6683KZ()	.068	"	7.5	15.0	"	"	"	"	"
" 6823KZ()	.082	"	8.0	16.0	"	"	"	0.8	"
" 6104KZ()	.1	24.0	6.5	14.0	20.5	12.5	1.5	"	"
" 6124KZ()	.12	"	7.5	15.0	"	"	"	"	"
" 6154KZ()	.15	"	8.0	16.0	"	"	"	"	"
" 6184KZ()	.18	"	9.0	16.5	"	"	"	"	"
" 6224KZ()	.22	29.0	8.5	"	25.5	17.5	"	"	"
" 6274KZ()	.27	"	9.5	17.0	"	"	"	"	"
" 6334KZ()	.33	"	10.5	18.0	"	"	"	"	"
" 6394KZ()	.39	"	11.5	19.0	"	"	"	"	"
" 6474KZ()	.47	"	12.5	20.5	"	"	"	"	"
" 6564KZ()	.56	"	14.0	21.5	"	"	"	"	"
" 6684KZ()	.68	42.5	12.0	19.5	38.5	27.5	"	"	"
" 6824KZ()	.82	"	13.0	21.0	"	"	"	"	"
" 6105KZ()	1.0	"	13.5	23.0	"	"	"	"	"
" 6125KZ()	1.2	"	15.0	24.5	"	"	"	"	"
" 6155KZ()	1.5	"	17.0	27.0	"	"	"	"	"
" 6185KZ()	1.8	"	19.5	29.0	"	"	"	1.0	"
" 6225KZ()	2.2	"	20.5	32.0	"	"	"	"	"

↑ Suffix "B" for Crimped as Type-2. Not standard

■ TYPE-F (NEW MINI-DIP)

Part code	Capacitance (μF)	Dimensions (mm)							
		L ^{MAX}	T ^{MAX}	H ^{MAX}	F ± 1.0	S ± 0.8	G ^{MAX}	$\phi d \pm 0.05$	TYPE-2 Style
					TYPE-1	TYPE-2	TYPE-1		
ECQ E6103KF ()	.01	12.0	4.5	7.5	10.0	10.0	1.0	0.6	D
"/ 6123KF ()	.012	"	"	7.8	"	"	"	"	"
"/ 6153KF ()	.015	"	5.0	8.2	"	"	"	"	"
"/ 6183KF ()	.018	"	4.9	10.0	"	"	"	"	"
"/ 6223KF ()	.022	"	5.3	10.5	"	"	"	"	"
"/ 6273KF ()	.027	"	5.5	10.9	"	"	"	"	"
"/ 6333KF ()	.033	"	6.0	11.9	"	"	"	"	"
"/ 6393KF ()	.039	"	"	13.4	"	"	"	"	"
"/ 6473KF ()	.047	"	6.5	13.5	"	"	"	"	"
"/ 6563KF ()	.056	18.5	5.4	10.5	15.0	"	"	"	B
"/ 6683KF ()	.068	"	5.8	11.0	"	"	"	"	"
"/ 6823KF ()	.082	"	6.5	12.0	"	"	"	"	"
"/ 6104KF ()	.1	"	6.3	14.0	"	"	"	"	"
"/ 6124KF ()	.12	"	"	14.5	"	"	"	0.8	"
"/ 6154KF ()	.15	"	7.5	15.4	"	"	"	"	"
"/ 6184KF ()	.18	"	8.0	16.0	"	"	"	"	"
"/ 6224KF ()	.22	"	9.0	16.5	"	"	"	"	"
"/ 6274KF ()	.27	26.0	7.0	"	22.5	15.0	"	"	"
"/ 6334KF ()	.33	"	7.8	17.0	"	"	"	"	"
"/ 6394KF ()	.39	"	8.5	17.9	"	"	"	"	"
"/ 6474KF ()	.47	"	9.3	18.5	"	"	"	"	"
"/ 6564KF ()	.56	"	10.0	20.0	"	"	1.5	"	"
"/ 6684KF ()	.68	"	11.5	21.0	"	"	"	"	"
"/ 6824KF ()	.82	31.0	11.3	20.5	27.5	22.5	"	"	"
"/ 6105KF ()	1.0	"	12.5	21.9	"	"	"	"	"
"/ 6125KF ()	1.5	"	13.5	23.0	"	"	"	"	"
"/ 6155KF ()	1.5	"	15.3	24.7	"	"	"	"	"
"/ 6185KF ()	1.8	"	16.8	27.0	"	"	"	"	"
"/ 6225KF ()	2.2	"	19.5	29.0	"	"	"	"	"

↑ Suffix "B" for Crimped lead as Type-2. Not standard