



Chipsmall Limited consists of a professional team with an average of over 10 year of expertise in the distribution of electronic components. Based in Hongkong, we have already established firm and mutual-benefit business relationships with customers from,Europe,America and south Asia,supplying obsolete and hard-to-find components to meet their specific needs.

With the principle of “Quality Parts,Customers Priority,Honest Operation,and Considerate Service”,our business mainly focus on the distribution of electronic components. Line cards we deal with include Microchip,ALPS,ROHM,Xilinx,Pulse,ON,Everlight and Freescale. Main products comprise IC,Modules,Potentiometer,IC Socket,Relay,Connector.Our parts cover such applications as commercial,industrial, and automotives areas.

We are looking forward to setting up business relationship with you and hope to provide you with the best service and solution. Let us make a better world for our industry!



Contact us

Tel: +86-755-8981 8866 Fax: +86-755-8427 6832

Email & Skype: info@chipsmall.com Web: www.chipsmall.com

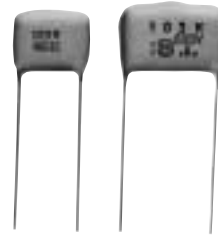
Address: A1208, Overseas Decoration Building, #122 Zhenhua RD., Futian, Shenzhen, China



Polyester Film Capacitor

Type: **ECQM**

Designed for application where high density insertion of components is required.



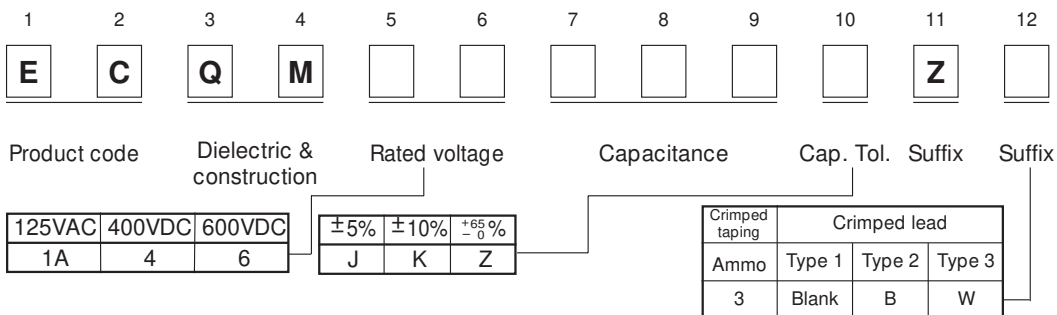
■ Features

- ◆ Non-inductive construction
- ◆ Excellent moisture resistance

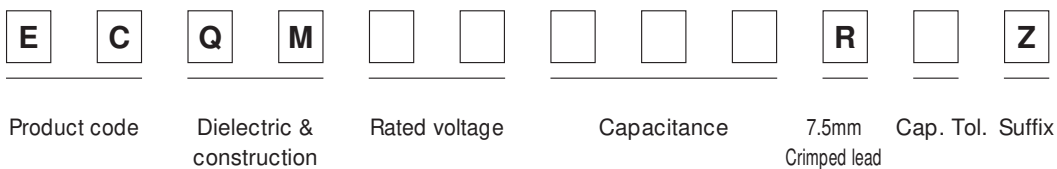
■ Recommended Applications

- ◆ General purpose usage
- ◆ Noise suppression for lighting products

■ Explanation of Part Numbers



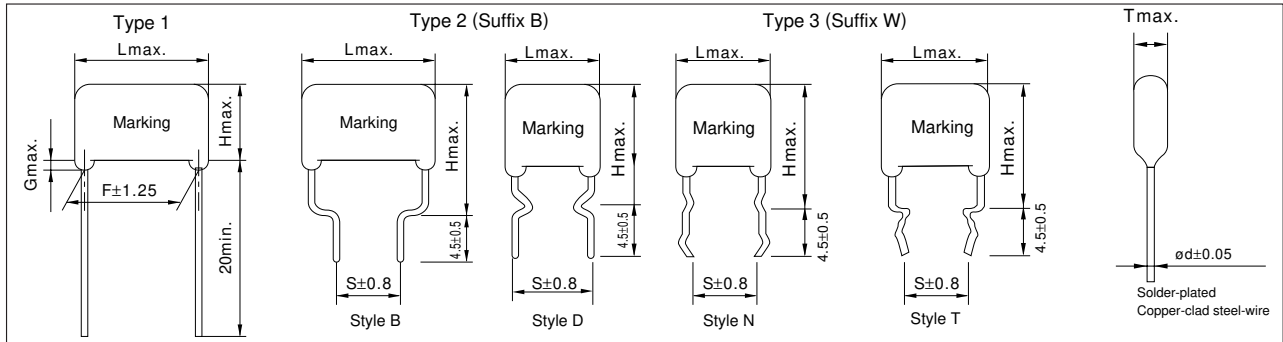
● Explanation of Part Number for Odd Size Taping



■ Specifications

Category temp. range	-40 to +85°C
Rated voltage	400VDC, 600VDC, 125VAC
Capacitance range	0.001 to 0.47µF
Capacitance tolerance	±5%(J), ±10%(K), ^{+65%} _{0%} (Z)
Dissipation factor	1.0%max.(20°C, 1kHz)
Withstand voltage	Between terminals : Rated volt.(VDC)×250% 1 to 5s 125VAC×230% 60s(For type 1A only) Between terminals to enclosure : 1000VAC 60s(For type 1A only)
Insulation resistance	C ≤ 0.33µF : 30000MΩ min. (20°C, 100VDC 60s) C > 0.33µF : 10000MΩ · 0µFmin. 2000MΩmin. (20°C, 500VDC 60s)(For type 1A only)

■Dimensions in mm(not to scale)

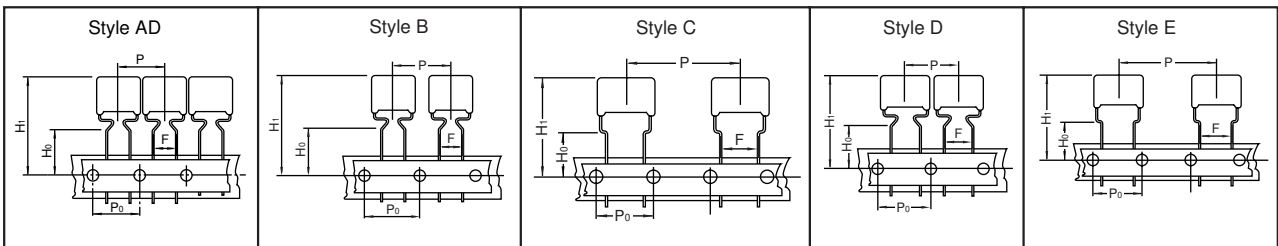


■Packaging Specifications for Bulk Package

Packing quantity : 100pcs./bag

■Taping Specifications for Automatic Insertion

●Taping style



●Packaging Specifications

Type	Rated volt.	Cap. range (μF)	Taping style					Packing
			AD	AS	B	C	D	
ECQM	400VDC	0.001 to 0.0039	○					Ammo
		0.0047 to 0.01			○			Ammo
		0.0027 to 0.01					○	Ammo
		0.012 to 0.068					○	Ammo
	600VDC	0.001 to 0.0015	○					Ammo
		0.0022 to 0.022				○		Ammo

●Lead Spacing

Style	Lead Spacing
AD	5.0mm
B	5.0mm
C	5.0mm
D	7.5mm
E	7.5mm

* See the column "Rating, Dimensions & Quantity Box" for packing quantity.

■ Rating, Dimensions & Quantity/Ammo Box

● Rated voltage : 400VDC Capacitance tolerance : ±5%(J), ±10%(K)

Part No.	Cap. (μ F)	Dimensions (mm)								Quantity
		L ^{max.}	T ^{max.}	H ^{max.}		F	S	G ^{max.}	ϕ d	Ammo
				Type-1	Type- $\frac{2}{3}$					Type-1
ECQM4102□Z()	0.001	11.0	5.5	9.5	14.5	6.50	5.0	2	0.60	1000
ECQM4122□Z()	0.0012	11.0	6.0	10.0	15.0	6.50	5.0	2	0.60	
ECQM4152□Z()	0.0015	11.0	6.0	10.0	15.0	6.50	5.0	2	0.60	
ECQM4182□Z()	0.0018	11.0	6.0	10.0	15.0	6.50	5.0	2	0.60	
ECQM4222□Z()	0.0022	11.0	6.5	10.5	15.5	6.50	5.0	2	0.60	
ECQM4272□Z()	0.0027	12.0	6.0	10.0	15.0	7.50	5.0	2	0.60	
ECQM4332□Z()	0.0033	12.0	6.5	10.5	15.0	7.50	5.0	2	0.60	
ECQM4392□Z()	0.0039	12.0	6.5	10.5	15.0	7.50	5.0	2	0.60	
ECQM4472□Z()	0.0047	14.0	6.0	10.0	15.0	9.50	5.0	2	0.60	
ECQM4562□Z()	0.0056	14.0	6.0	10.0	15.0	9.50	5.0	2	0.60	
ECQM4682□Z()	0.0068	14.0	6.5	10.5	15.5	9.50	5.0	3	0.60	
ECQM4822□Z()	0.0082	14.0	6.5	12.0	17.0	9.50	5.0	3	0.60	
ECQM4103□Z()	0.01	14.0	7.0	12.5	17.5	9.50	5.0	3	0.60	
ECQM4123□Z()	0.012	17.0	6.0	12.0	17.0	12.50	7.5	3	0.60	
ECQM4153□Z()	0.015	17.0	6.5	12.5	17.5	12.50	7.5	3	0.60	
ECQM4183□Z()	0.018	17.0	7.0	13.0	18.0	12.50	7.5	3	0.60	
ECQM4223□Z()	0.022	17.0	7.5	13.5	18.5	12.50	7.5	3	0.60	
ECQM4273□Z()	0.027	20.0	7.0	14.5	19.5	15.00	10.0	3	0.70	
ECQM4333□Z()	0.033	20.0	7.5	15.0	20.0	15.00	10.0	3	0.70	
ECQM4393□Z()	0.039	20.0	8.5	16.0	21.0	15.00	10.0	3	0.70	
ECQM4473□Z()	0.047	20.0	9.0	16.5	21.5	15.00	10.0	3	0.70	
ECQM4563□Z()	0.056	23.0	8.5	15.5	20.5	18.00	12.5	3	0.70	
ECQM4683□Z()	0.068	23.0	9.0	16.5	21.5	18.00	12.5	3	0.70	
ECQM4823□Z()	0.082	24.0	9.5	17.0	22.0	18.00	12.5	3	0.80	
ECQM4104□Z()	0.1	24.0	10.0	19.0	24.0	18.00	12.5	3	0.80	
ECQM4124□Z()	0.12	24.0	11.0	20.0	25.0	18.50	12.5	3	0.80	
ECQM4154□Z()	0.15	24.0	12.5	21.0	26.0	18.50	12.5	3	0.80	
ECQM4184□Z()	0.18	28.0	12.5	21.5	26.5	23.50	15.0	3	0.80	
ECQM4224□Z()	0.22	28.0	14.0	23.0	28.0	23.50	15.0	3	0.80	
ECQM4274□Z()	0.27	28.0	15.5	24.5	29.5	23.50	15.0	3	0.80	
ECQM4334□Z()	0.33	28.0	17.5	26.5	31.5	23.50	15.0	3	0.80	
ECQM4394□Z()	0.39	34.0	16.0	26.5	31.5	28.50	17.5	3	0.80	
ECQM4474□Z()	0.47	34.0	17.5	28.0	33.0	28.50	17.5	3	0.80	

Suffix for lead crimped or taped type
 Cap. tol. code

StyleD:0.001 to 0.0039 μ F
 StyleB:0.0047 to 0.47 μ F
 StyleN:0.001 to 0.0022 μ F
 StyleT:0.0027 to 0.47 μ F

■ Rating, Dimensions & Quantity/Ammo Box

● Rated voltage : 600VDC Capacitance tolerance : ±5%(J), ±10%(K)

Part No.	Cap. (μF)	Dimensions (mm)								Quantity	
		L ^{max.}	T ^{max.}	H ^{max.}		F±1.25	S±0.8	G ^{max.}	ød	Ammo	
				Type-1	Type-2 ³	Type-1	Type-2 ³	Type-1	±0.05		
ECQM6102□Z()	0.001	13.0	7.0	11.0	15.0	7.50	7.5	3	0.60	1000	
ECQM6122□Z()	0.0012	13.0	7.5	11.0	15.0	7.50	7.5	3	0.60		
ECQM6152□Z()	0.0015	13.0	7.5	11.0	15.0	7.50	7.5	3	0.60		
ECQM6182□Z()	0.0018	15.0	7.0	11.0	15.0	9.50	10.0	3	0.60	—	
ECQM6222□Z()	0.0022	15.0	7.0	11.0	15.0	9.50	10.0	3	0.60	500	
ECQM6272□Z()	0.0027	15.0	7.5	11.0	15.0	9.50	10.0	3	0.60		
ECQM6332□Z()	0.0033	15.0	7.5	11.0	15.0	9.50	10.0	3	0.60		
ECQM6392□Z()	0.0039	15.0	7.5	13.0	17.0	9.50	10.0	3	0.60	—	
ECQM6472□Z()	0.0047	15.0	7.5	13.0	17.0	9.50	10.0	3	0.60		
ECQM6562□Z()	0.0056	15.0	8.5	14.0	18.0	9.50	10.0	3	0.60		
ECQM6682□Z()	0.0068	15.0	8.5	14.0	18.0	9.50	10.0	3	0.60	400	
ECQM6822□Z()	0.0082	20.0	7.0	14.0	18.0	14.50	10.0	3	0.60		
ECQM6103□Z()	0.01	20.0	7.0	14.0	18.0	14.50	10.0	3	0.60		
ECQM6123□Z()	0.012	20.0	8.0	15.0	19.0	14.50	10.0	3	0.60	300	
ECQM6153□Z()	0.015	20.0	8.0	15.0	19.0	14.50	10.0	3	0.60		
ECQM6183□Z()	0.018	20.0	9.5	16.0	20.0	14.50	10.0	3	0.60		
ECQM6223□Z()	0.022	20.0	9.5	16.0	20.0	14.50	10.0	3	0.60	—	
ECQM6273□Z()	0.027	25.5	9.0	16.0	21.0	19.50	12.5	4	0.70		
ECQM6333□Z()	0.033	25.5	9.0	16.0	21.0	19.50	12.5	4	0.70		
ECQM6393□Z()	0.039	25.5	10.5	17.0	22.0	19.50	12.5	4	0.70	—	
ECQM6473□Z()	0.047	25.5	10.5	17.0	22.0	19.50	12.5	4	0.70		
ECQM6563□Z()	0.056	25.5	13.5	20.0	25.0	19.50	12.5	4	0.70		
ECQM6683□Z()	0.068	25.5	13.5	20.0	25.0	19.50	12.5	4	0.70	—	
ECQM6823□Z()	0.082	25.5	13.5	23.0	28.0	19.50	12.5	4	0.80		
ECQM6104□Z()	0.1	25.5	13.5	23.0	28.0	19.50	12.5	4	0.80		
ECQM6124□Z()	0.12	37.0	11.0	23.0	28.0	30.50	20.0	4	0.80	—	
ECQM6154□Z()	0.15	37.0	11.0	23.0	28.0	30.50	20.0	4	0.80		
ECQM6184□Z()	0.18	37.0	13.5	25.0	30.0	30.50	20.0	4	0.80		
ECQM6224□Z()	0.22	37.0	13.5	25.0	30.0	30.50	20.0	4	0.80		

StyleD:0.001 to 0.0068 μF
 StyleB:0.0082 to 0.22 μF
 StyleN:0.001 to 0.0068 μF
 StyleT:0.0082 to 0.22 μF

● Rated voltage:125VAC, Capacitance tolerance : ± 65%(Z)

Noise suppression capacitor for glow switch

Part No.	Cap. (μF)	Dimensions (mm)			
		L ^{max.}	T ^{max.}	H ^{max.}	G ^{max.}
ECQM1A602ZS	0.006	17.5	6.5	11.5	6.0

● This capacitor is used for glow noise suppression for lighting products.

Consult us for further requirements as we have wide variety of products other than mentioned here according to type of glow, installation method etc.