



Chipsmall Limited consists of a professional team with an average of over 10 year of expertise in the distribution of electronic components. Based in Hongkong, we have already established firm and mutual-benefit business relationships with customers from,Europe,America and south Asia,supplying obsolete and hard-to-find components to meet their specific needs.

With the principle of “Quality Parts,Customers Priority,Honest Operation,and Considerate Service”,our business mainly focus on the distribution of electronic components. Line cards we deal with include Microchip,ALPS,ROHM,Xilinx,Pulse,ON,Everlight and Freescale. Main products comprise IC,Modules,Potentiometer,IC Socket,Relay,Connector.Our parts cover such applications as commercial,industrial, and automotives areas.

We are looking forward to setting up business relationship with you and hope to provide you with the best service and solution. Let us make a better world for our industry!



Contact us

Tel: +86-755-8981 8866 Fax: +86-755-8427 6832

Email & Skype: info@chipsmall.com Web: www.chipsmall.com

Address: A1208, Overseas Decoration Building, #122 Zhenhua RD., Futian, Shenzhen, China

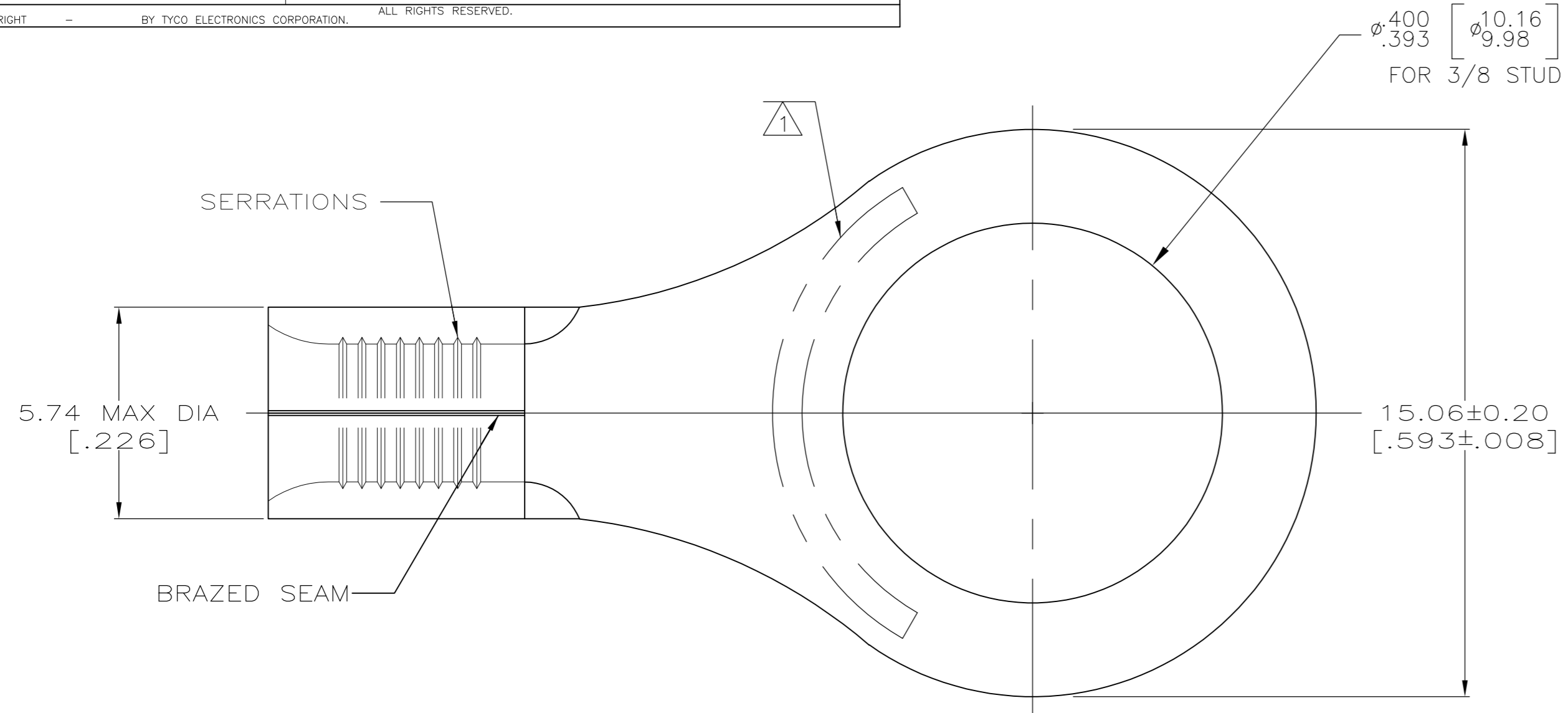


THIS DRAWING IS UNPUBLISHED. RELEASED FOR PUBLICATION
 © COPYRIGHT BY TYCO ELECTRONICS CORPORATION. ALL RIGHTS RESERVED.

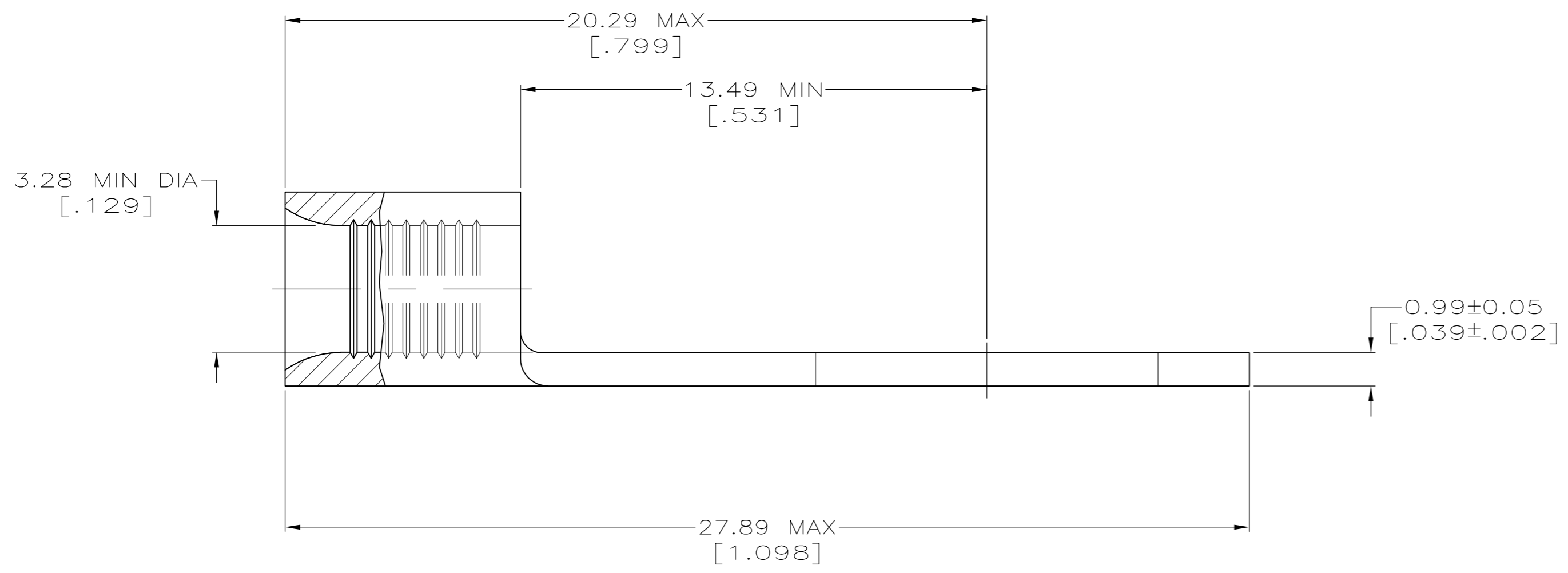
LOC	DIST	REVISIONS			DAP		
		P	LTR	DESCRIPTION	DATE	DWN	APVD
G	14		A	RELEASED PER ECR 08-000190	07JAN08	JR	MS

AMP
WIRE RANGE

12-10 AWG
SOLID OR STRANDED



- 1 STAMP AMP 12-10* APPROX AS SHOWN
- 2 COPPER PER ASTM B-152, ANNEALED
- 3 TIN PLATE 0.00254 [.000100] MIN PER ASTM B-545
- 4 MAX OPERATING TEMP IS 170°C
- 5 WIRE CROSS SECTIONAL AREA RANGE IS 2.62-6.64mm² [5,180-13,100] CIR MILS.



1000	TAPE MOUNTED	1958170-1
QTY	PACKAGE TYPE	PART NO.

THIS DRAWING IS A CONTROLLED DOCUMENT.		DWN JR RUTH 15NOV07	Tyco Electronics Corporation Harrisburg, PA 17105-3608	
DIMENSIONS: MM [INCHES]		CHK MIKE SPICER 15NOV07	NAME MIKE SPICER 15NOV07	
TOLERANCES UNLESS OTHERWISE SPECIFIED:		APVD MIKE SPICER 15NOV07	PRODUCT SPEC TERMINAL, RING TONGUE, SOLISTRAND, 12-10	
0 PLC ± -		APPLICATION SPEC	SIZE A2	CAGE CODE 00779
1 PLC ± -		WEIGHT	DRAWING NO C=1958170	RESTRICTED TO
2 PLC ± 0.20 [.008]		CUSTOMER DRAWING	SCALE 8:1	SHEET 1 of 1
3 PLC ± -			REV A	
4 PLC ± -				
ANGLES ± -				
FINISH				
MATERIAL - 2				
FINISH - 3				