



Chipsmall Limited consists of a professional team with an average of over 10 year of expertise in the distribution of electronic components. Based in Hongkong, we have already established firm and mutual-benefit business relationships with customers from,Europe,America and south Asia,supplying obsolete and hard-to-find components to meet their specific needs.

With the principle of “Quality Parts,Customers Priority,Honest Operation,and Considerate Service”,our business mainly focus on the distribution of electronic components. Line cards we deal with include Microchip,ALPS,ROHM,Xilinx,Pulse,ON,Everlight and Freescale. Main products comprise IC,Modules,Potentiometer,IC Socket,Relay,Connector.Our parts cover such applications as commercial,industrial, and automotives areas.

We are looking forward to setting up business relationship with you and hope to provide you with the best service and solution. Let us make a better world for our industry!



Contact us

Tel: +86-755-8981 8866 Fax: +86-755-8427 6832

Email & Skype: info@chipsmall.com Web: www.chipsmall.com

Address: A1208, Overseas Decoration Building, #122 Zhenhua RD., Futian, Shenzhen, China



PACKAGE DIMENSIONS (mm)

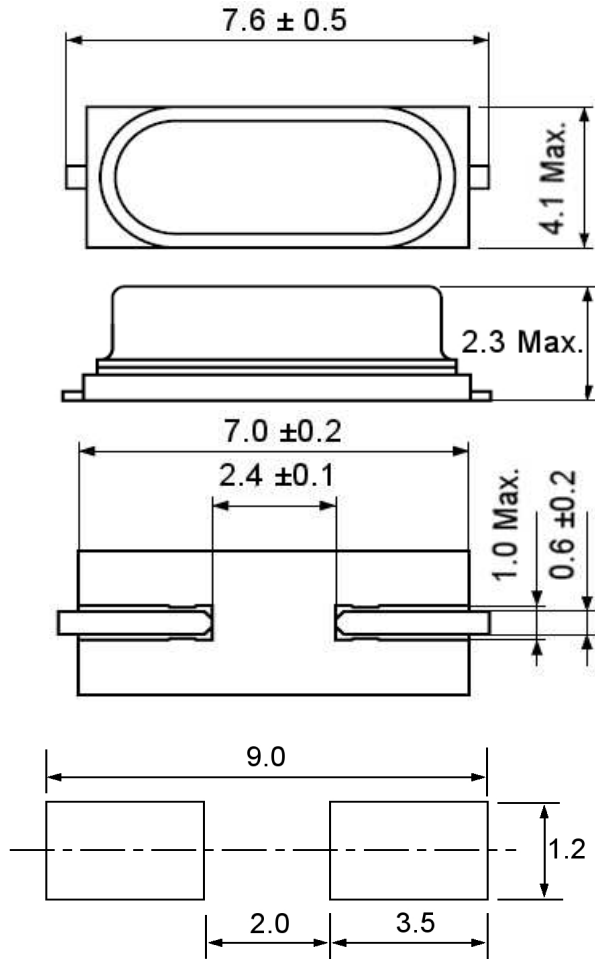


Figure 1) Top, Side, Bottom Views and Land

* This crystal has been qualified by Linear Technology for use with the Eterna mesh-networking family of products. Network operation relies on timing more precise than provided by the crystal accuracy itself, requiring that crystals be characterized and qualified.

REVISIONS			
REV	DESCRIPTION	DATE	APPROVED

ELECTRICAL SPECIFICATIONS

- Frequency: 20.000000 MHz
- Frequency Tolerance @ +25°C: ± 10 ppm Max.
- * Frequency Stability -40 to +85°C: ± 30 ppm Max.
- Crystal Cut: AT Strip
- Load Capacitance (CL): 10 pF
- Recommended Drive Level: 500 µW Max.
- Effective Series Resistance: 50 Ω Max.
- Shunt Capacitance: 7 pF Max.
- Mode of Operation: Fundamental
- Aging (first year): ± 3 ppm/ Max.
- Storage Temperature: -60 to +105°C
- Operating Temperature: -60 to +105°C
- Package Type: CSM-3X

ECS Part Number: ECS-200-CDX-0914



ECS INC. INTERNATIONAL
 1105 S. Ridgeview
 Olathe, KS 66062
 (913) 782-7787

SIGNATURES	DATE	TITLE	SIZE	DWG NO.	REV
DRN BL	1/6/2012	20.000 MHz Crystal, CSM-3X Pb Free/RoHS Compliant	A	ECS-200-CDX-0914	
CHK RC	1/6/2012				
APP DK	1/6/2012				
Dimensions in mm		CAGE CODE: 1G8B7	SHEET 1 OF 1		