



Chipsmall Limited consists of a professional team with an average of over 10 year of expertise in the distribution of electronic components. Based in Hongkong, we have already established firm and mutual-benefit business relationships with customers from,Europe,America and south Asia,supplying obsolete and hard-to-find components to meet their specific needs.

With the principle of “Quality Parts,Customers Priority,Honest Operation,and Considerate Service”,our business mainly focus on the distribution of electronic components. Line cards we deal with include Microchip,ALPS,ROHM,Xilinx,Pulse,ON,Everlight and Freescale. Main products comprise IC,Modules,Potentiometer,IC Socket,Relay,Connector.Our parts cover such applications as commercial,industrial, and automotives areas.

We are looking forward to setting up business relationship with you and hope to provide you with the best service and solution. Let us make a better world for our industry!



Contact us

Tel: +86-755-8981 8866 Fax: +86-755-8427 6832

Email & Skype: info@chipsmall.com Web: www.chipsmall.com

Address: A1208, Overseas Decoration Building, #122 Zhenhua RD., Futian, Shenzhen, China

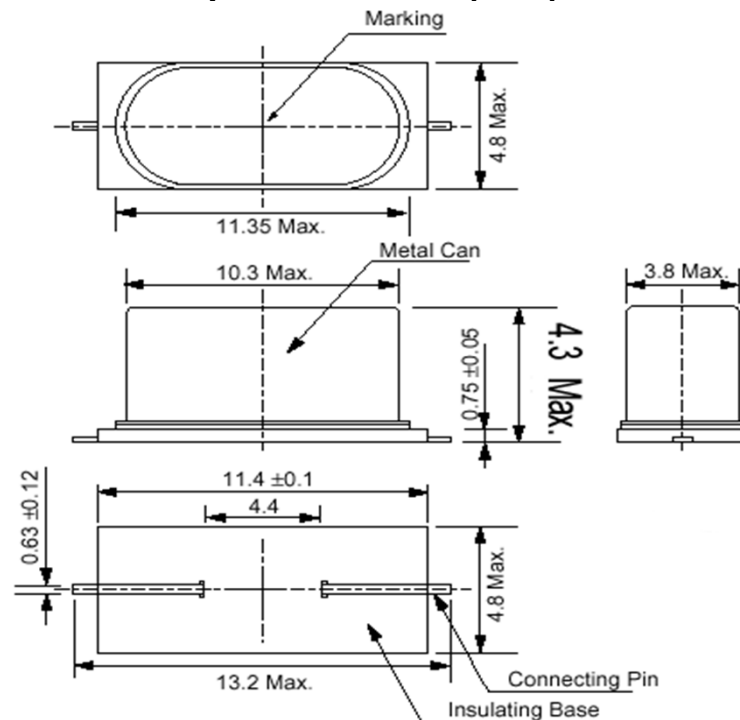


ECS Part Number	Frequency
ECS-071.505-CDX-0370	* 7.1505
ECS-098.438-CDX-0371	* 9.8438
ECS-130.625-CDX-0373	* 13.0625
ECS-135.600-CDX-0374	* 13.56
ECS-203.563-CDX-0375	20.3563
ECS-226.278-CDX-0376	22.6278
ECS-232.643-CDX-0377	23.2643
ECS-235.122-CDX-0378	23.5122
ECS-252.235-CDX-0379	25.2235
ECS-254.563-CDX-0380	25.4563
ECS-264.513-CDX-0381	26.4513
ECS-265.971-CDX-0382	26.5971
ECS-271.344-CDX-0383	* 27.1344
ECS-274.688-CDX-0384	27.4688
ECS-282.594-CDX-0385	28.2594
ECS-285.938-CDX-0386	* 28.5938



REVISIONS			
REV	DESCRIPTION	DATE	APPROVED

Package Dimensions (mm)



Electrical Characteristics

Parameters	Value
Frequency Tolerance @ +25°C	± 20 PPM Max.
Temperature Stability (-10° to +70°C)	± 30 PPM Max.
Equivalent Series Resistance (7 to 12.999 MHz)	40 Ohms Max.
Equivalent Series Resistance (13 to 30 MHz)	30 Ohms Max.
Load Capacitance	12 pF
Shunt Capacitance	7 pF Max.
Drive Level	500 µW Max.
Aging (First Year @ +25°C)	± 5 PPM Max.
* Spurious response (fo to Fo +200 KHz)	-20 dB Min.
Operating Temperature	-10 to +70°C
Storage Temperature	-30 to +85°C

Figure 1) Top, Side, Bottom and End views

ECS INC. INTERNATIONAL
1105 S. Ridgeview
Olathe, KS 66062
(913) 782-7787 www.ecsxtal.com

Spur spec applies only to those frequencies with an *

SIGNATURES	DATE	TITLE CSM-7 SMD Crystal for TX/RX Chipset, RoHS Compliant		
DRN DK	10/21/2005			
CHK BL	10/21/2005			
APP BS	10/21/2005			
Dimensions in mm		SIZE A	DWG NO ECS-CDX-0370-386	REV -
		CAGE CODE: 1G8B7		SHEET 1 OF 1