



Chipsmall Limited consists of a professional team with an average of over 10 year of expertise in the distribution of electronic components. Based in Hongkong, we have already established firm and mutual-benefit business relationships with customers from,Europe,America and south Asia,supplying obsolete and hard-to-find components to meet their specific needs.

With the principle of “Quality Parts,Customers Priority,Honest Operation,and Considerate Service”,our business mainly focus on the distribution of electronic components. Line cards we deal with include Microchip,ALPS,ROHM,Xilinx,Pulse,ON,Everlight and Freescale. Main products comprise IC,Modules,Potentiometer,IC Socket,Relay,Connector.Our parts cover such applications as commercial,industrial, and automotives areas.

We are looking forward to setting up business relationship with you and hope to provide you with the best service and solution. Let us make a better world for our industry!



Contact us

Tel: +86-755-8981 8866 Fax: +86-755-8427 6832

Email & Skype: info@chipsmall.com Web: www.chipsmall.com

Address: A1208, Overseas Decoration Building, #122 Zhenhua RD., Futian, Shenzhen, China





- ▶ RoHS Compliant(2011/65/EU)
- ▶ MSL: 1
- ▶ Lead Finish: Au
- ▶ AEC-Q200 Qualified
- ▶ TS16949 certified production
- ▶ PPAP supported

ECX-34Q

SMD TUNING FORK CRYSTAL

Applications:

- ▶ Automotive
- ▶ COTS
- ▶ Navigation
- ▶ Medical (Non Life sustaining)
- ▶ Industrial
- ▶ Test Equipment

OPERATING CONDITIONS / ELECTRICAL CHARACTERISTICS

PARAMETERS	CONDITIONS	ECX-34Q			UNITS
		MIN	TYP	MAX	
Frequency	Fo		32.768		KHz
Frequency Tolerance @ +25°C				± 20	ppm
Load Capacitance	Specify in P/N		12.5		pF
Drive Level	DL		0.1	0.5	μW
Equivalent Series Resistance	R1			80K	Ω
Turnover Temperature		+20	+25	+30	°C
Temperature Coefficient		-0.028	-0.034	-0.040	ppm/°C ²
Shunt Capacitance	Co		1.1		pF
Motional Capacitance	C1		3.5		fF
First Year Aging	+25°C ±3°C			± 3	ppm
Operating Temperature	S Option	-40		+125	°C
Storage Temperature		-55		+125	°C

TOP, BOTTOM, SIDE VIEWS & LAND PATTERN

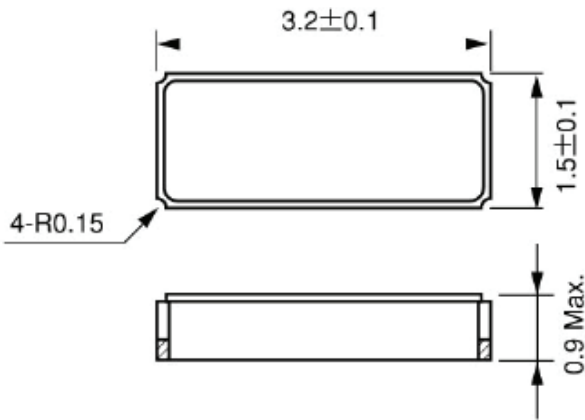


Figure 1) Top and Side View

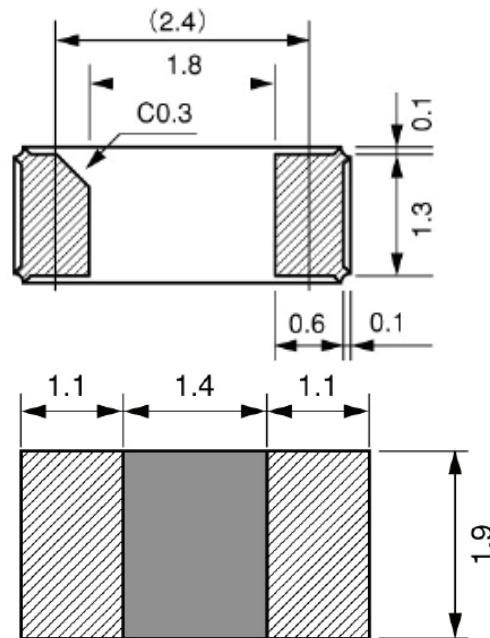


Figure 2) Bottom View and Suggested Land

PART NUMBERING GUIDE: Example ECS-.327-12.5-34QS-TR

ECS - Frequency Abbreviation - Load Capacitance - Package Type - Tolerance - Operating Temp Range - Packaging

.327 = 32.768 KHz	12.5 = 12.5 pF 9 = 9 pF 7 = 7 pF 6 = 6 pF	-34Q = ECX-34Q	Blank = ±20 ppm C = ±10 ppm	N = -40 ~ +85°C S = -40 ~ +125°C	-TR = Tape & Reel 3K/Reel
-------------------	--	-------------------	--------------------------------	-------------------------------------	------------------------------