



Chipsmall Limited consists of a professional team with an average of over 10 year of expertise in the distribution of electronic components. Based in Hongkong, we have already established firm and mutual-benefit business relationships with customers from,Europe,America and south Asia,supplying obsolete and hard-to-find components to meet their specific needs.

With the principle of “Quality Parts,Customers Priority,Honest Operation,and Considerate Service”,our business mainly focus on the distribution of electronic components. Line cards we deal with include Microchip,ALPS,ROHM,Xilinx,Pulse,ON,Everlight and Freescale. Main products comprise IC,Modules,Potentiometer,IC Socket,Relay,Connector.Our parts cover such applications as commercial,industrial, and automotives areas.

We are looking forward to setting up business relationship with you and hope to provide you with the best service and solution. Let us make a better world for our industry!



Contact us

Tel: +86-755-8981 8866 Fax: +86-755-8427 6832

Email & Skype: info@chipsmall.com Web: www.chipsmall.com

Address: A1208, Overseas Decoration Building, #122 Zhenhua RD., Futian, Shenzhen, China



The ultra-miniature ECS-.327-CDX-1128 is a very compact SMD Tuning Fork Crystal. The 3.2 x 1.5 x 0.9 mm ceramic package is ideal for today's SMD manufacturing environment.



- Low Profile
- 3.2 x 1.5 mm Footprint
- Extended Temp. Range
- Low ESR
- RoHS Compliant

OPERATING CONDITIONS / ELECTRICAL CHARACTERISTICS

| PARAMETERS | CONDITIONS | ECS-.327-CDX-1128 | | | UNITS |
|------------------------------|---------------|-------------------|--------|--------|---------------------|
| | | MIN | TYP | MAX | |
| Frequency | | | 32.768 | | KHz |
| Frequency Tolerance | @ +25°C | | | ± 20 | ppm |
| Temperature Coefficient | | -0.028 | -0.034 | -0.040 | ppm/°C ² |
| Shunt Capacitance | Co | | | 2.0 | pF |
| Load Capacitance | | | 6 | | pF |
| Drive Level | DL | | 0.1 | 0.5 | μW |
| Equivalent Series Resistance | R1 | | 55K | 60K | Ω |
| Motional Capacitance | C1 | 3.0 | | 4.4 | fF |
| Crystal Q | | 13,000 | | | |
| Turnover Temperature | | +20 | +25 | +30 | °C |
| Operating Temperature | Topr | -40 | | +85 | °C |
| Storage Temperature | Tstg | -55 | | +125 | °C |
| Aging (First Year) | @ +25°C ±3°C | | | ±3 | ppm |
| Insulation Resistance | @ 100Vdc ±15V | 500M | | | Ω |

DIMENSIONS (mm)

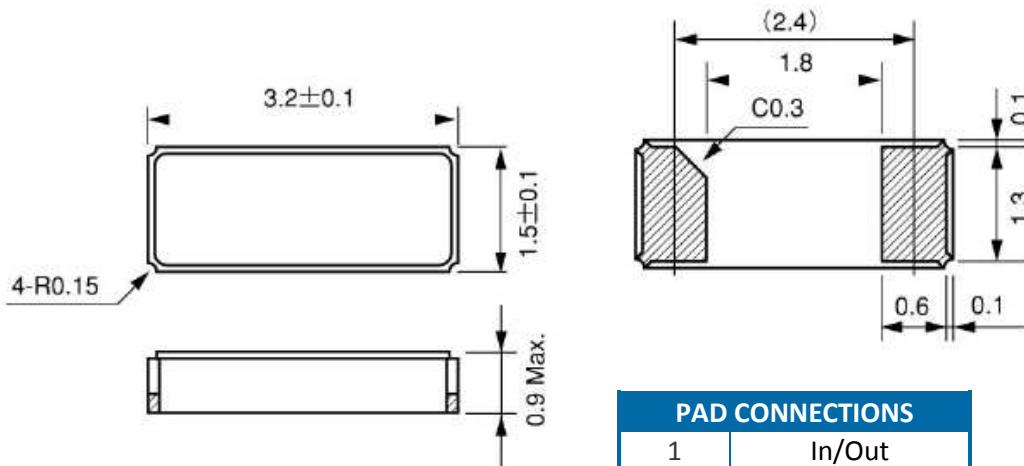


Figure 1) Top, Side, and Bottom views

| PAD CONNECTIONS | |
|-----------------|--------|
| 1 | In/Out |
| 2 | Out/In |

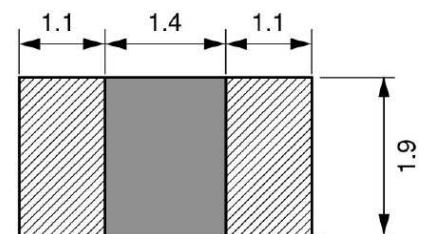
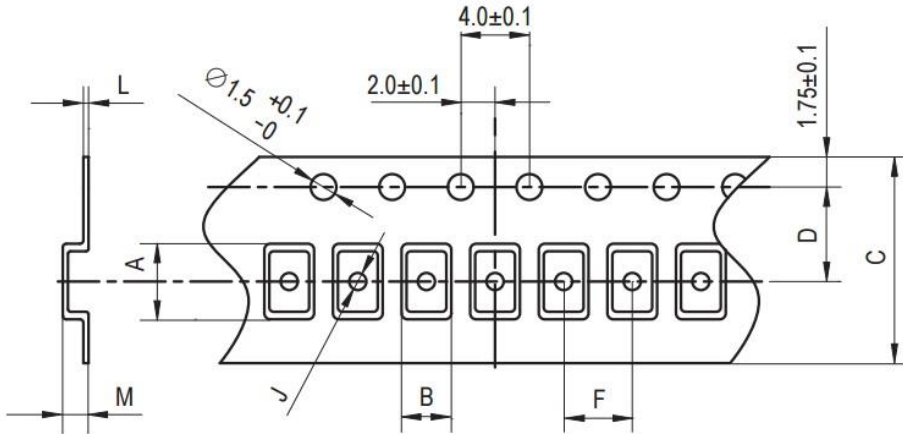


Figure 2) Suggested Land Pattern

PART NUMBER: Example ECS-.327-CDX-1128

POCKET TAPE DIMENSIONS (mm)



| A | B | C | D | F | J | L | M | Reel Dia. | Qty/Reel |
|-----|-----|------|-----|-----|-----|-----|-----|-----------|----------|
| 3.4 | 1.7 | 12.0 | 5.5 | 4.0 | 1.0 | 0.3 | 1.2 | 180 | 3000pcs |

| SOLDER PROFILE | |
|---|--|
| Peak solder Temp +260°C Max 10 sec Max. | |
| 2 Cycles Max. | |
| MSL 1, Lead Finish Au | |

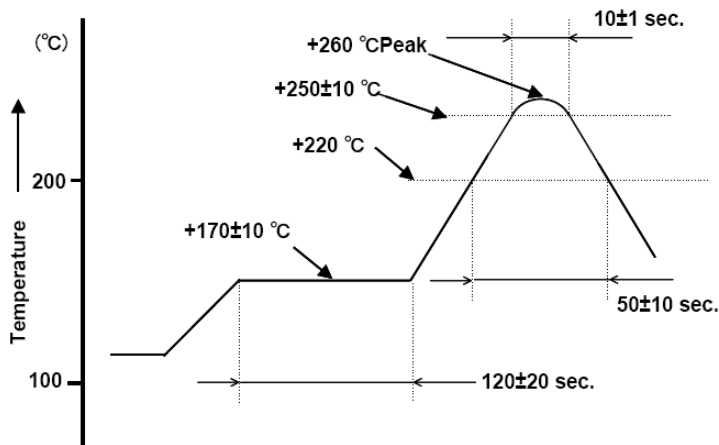


Figure 1) Suggested Reflow Profile