



Chipsmall Limited consists of a professional team with an average of over 10 year of expertise in the distribution of electronic components. Based in Hongkong, we have already established firm and mutual-benefit business relationships with customers from,Europe,America and south Asia,supplying obsolete and hard-to-find components to meet their specific needs.

With the principle of “Quality Parts,Customers Priority,Honest Operation,and Considerate Service”,our business mainly focus on the distribution of electronic components. Line cards we deal with include Microchip,ALPS,ROHM,Xilinx,Pulse,ON,Everlight and Freescale. Main products comprise IC,Modules,Potentiometer,IC Socket,Relay,Connector.Our parts cover such applications as commercial,industrial, and automotives areas.

We are looking forward to setting up business relationship with you and hope to provide you with the best service and solution. Let us make a better world for our industry!



## Contact us

Tel: +86-755-8981 8866 Fax: +86-755-8427 6832

Email & Skype: info@chipsmall.com Web: www.chipsmall.com

Address: A1208, Overseas Decoration Building, #122 Zhenhua RD., Futian, Shenzhen, China



**SAFETY ORGANIZATION(S):**

THIS FILTER HAS BEEN FORMALLY RECOGNIZED, CERTIFIED OR APPROVED BY THE LISTED AGENCY. THEREFORE, ALL TEST/REQUIREMENTS SPECIFIED IN THE LATEST REVISION OF THE FOLLOWING AGENCY STANDARDS HAVE BEEN MET:

- UL RECOGNIZED
- CSA CERTIFIED
- VDE APPROVED
- UL 1283
- CSA 22.2, NO.0,0,4,8
- VDE 565-3

**OPERATING SPECIFICATIONS:**

- LINE VOLTAGE/CURRENT: 3 AMP., 120/250 VAC
- 50-60HZ
- LINE FREQUENCY: .3mA @ 120V 60HZ
- MAX. LEAKAGE CURRENT, EACH LINE TO GROUND: .5mA @ 250V 50HZ
- OPERATING AMBIENT TEMP. RANGE: -10°C TO +60°C @ RATED CURRENT, I<sub>r</sub>

IN AN AMBIENT, T<sub>a</sub>, HIGHER THAN 60°C, THE MAXIMUM OPERATING CURRENT, I<sub>o</sub>, IS AS FOLLOWS:

$$I_o = I_r \sqrt{\frac{85-T_a}{25}}$$

**RELIABILITY SPECIFICATIONS:**

- STORAGE TEMPERATURE: -40°C TO +85°C
- HUMIDITY: 21 DAYS @ 40°C 95% RH
- CURRENT OVERLOAD TEST: 6 TIMES RATED CURRENT FOR 8 SECONDS

**TEST SPECIFICATIONS:**

- INDUCTANCE: 2.3mH NOMINAL
- CAPACITANCE: (MEASURED @ 1 KHz, 0.25 VAC MAX., 25°C ±1°C)
- LINE TO GROUND: 8000pF ±20%
- LINE TO LINE: 0.37µF ±20%
- DISCHARGE RESISTOR: 820 KΩ
- LINE/GROUND AND LINE/LINE INSULATION RESISTANCE (WITHOUT DISCHARGE RESISTOR): 5000 MΩ (MIN) AT 100 VDC
- 20°C AND 50% RH

**RECOMMENDED RECEIVING INSPECTION HIPOT:**

- LINE TO GROUND: 2250 VDC FOR 1 MINUTE
- LINE TO LINE: 1450 VDC FOR 1 MINUTE

**FILTER APPROVAL:**

THE BEST WAY TO SELECT AND QUALIFY A FILTER IS FOR YOUR ENGINEERING TO TEST THE UNIT IN YOUR EQUIPMENT.

TOLERANCE EXCEPT AS NOTED  
 DECIMAL: .XXX .XX .X ANGLES ± 1°  
 ENGLISH: ±.025  
 METRIC: ±

MATERIAL: AS SUPPLIED

FINISH:

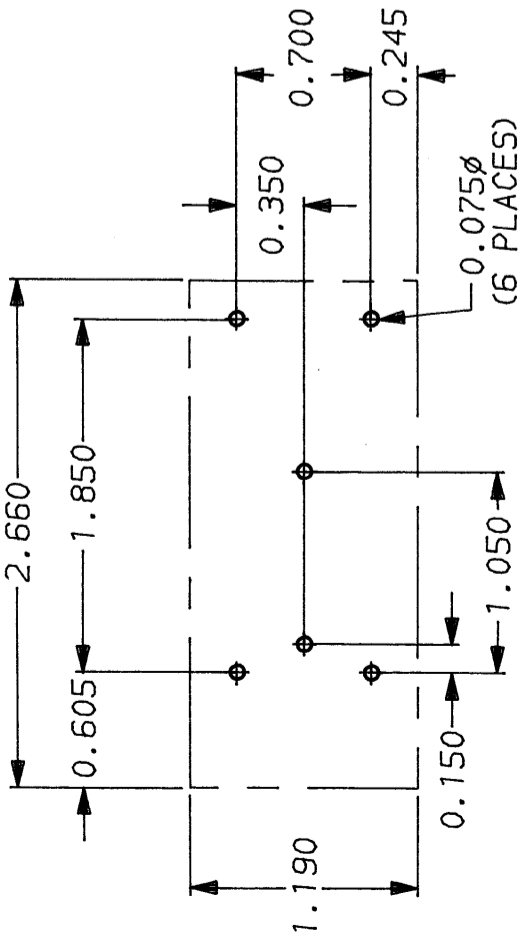
50Ω - 50Ω (MINIMUM) INSERTION LOSS									
FREQUENCY MHz	.01	.05	.07	.15	.50	1	5	10	30
COMMON dB	2	13	15	21	35	46	44	44	44
DIFF. dB	—	—	5	34	60	65	60	60	50

This document is proprietary to CORCOM INC. and is not to be reproduced nor used for manufacturing purposes except on CORCOM's order or prior written consent.



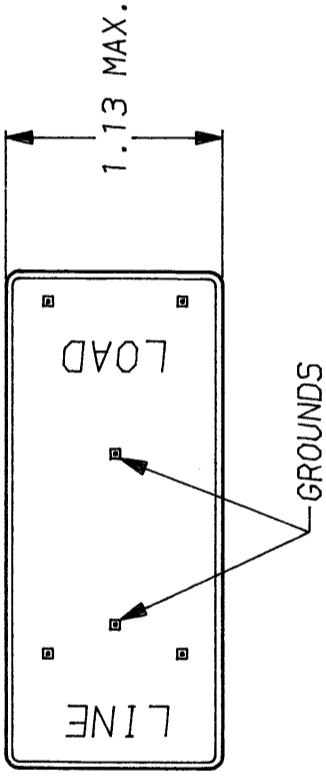
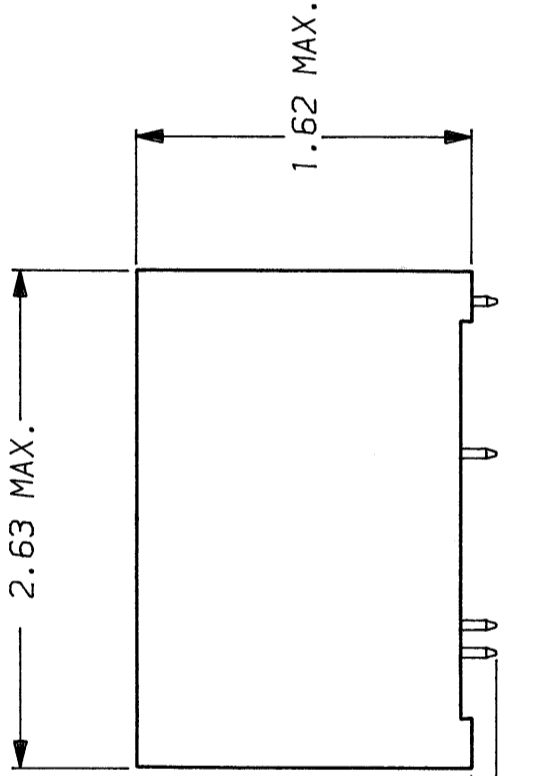
POWER LINE FILTER

SCALE	DATE	DRG. NO.	REV.
NTS	2-6-87		3EXP.03
DRW. BY	ORIGINATOR		
LJD	CFW		



RECOMMENDED MOUNTING HOLES & CLEARANCE AREA TOLERANCE UNLESS OTHERWISE SPECIFIED: ±.006

0.130±.020



PINS: .065 MAX. DIAGONAL (6 PLACES)

