



Chipsmall Limited consists of a professional team with an average of over 10 year of expertise in the distribution of electronic components. Based in Hongkong, we have already established firm and mutual-benefit business relationships with customers from,Europe,America and south Asia,supplying obsolete and hard-to-find components to meet their specific needs.

With the principle of “Quality Parts,Customers Priority,Honest Operation,and Considerate Service”,our business mainly focus on the distribution of electronic components. Line cards we deal with include Microchip,ALPS,ROHM,Xilinx,Pulse,ON,Everlight and Freescale. Main products comprise IC,Modules,Potentiometer,IC Socket,Relay,Connector.Our parts cover such applications as commercial,industrial, and automotives areas.

We are looking forward to setting up business relationship with you and hope to provide you with the best service and solution. Let us make a better world for our industry!



Contact us

Tel: +86-755-8981 8866 Fax: +86-755-8427 6832

Email & Skype: info@chipsmall.com Web: www.chipsmall.com

Address: A1208, Overseas Decoration Building, #122 Zhenhua RD., Futian, Shenzhen, China



- ▶ 5 x 7 Footprint
- ▶ 4 Pole Filter
- ▶ Tape & Reel Packaging



ECS-75SMF

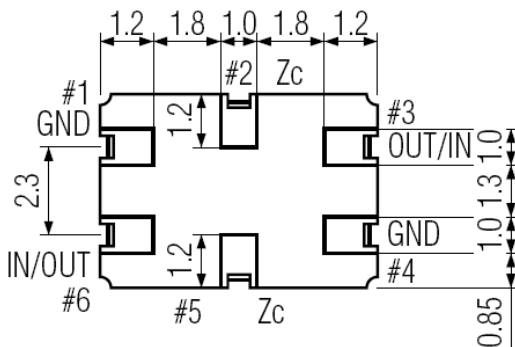
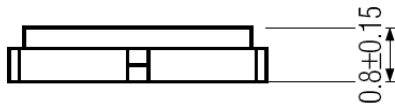
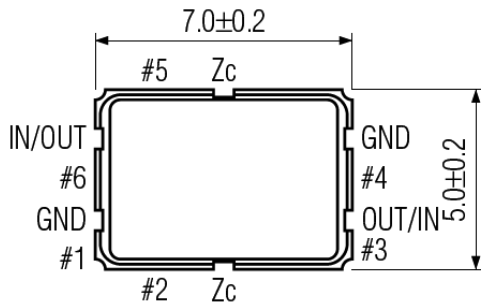
SMD CRYSTAL FILTER

The ECS-75SMF Miniature SMD Monolithic Crystal Filter offers a narrow bandwidth and a 4 pole response in a 5 x 7 package.

OPERATING CONDITIONS / ELECTRICAL CHARACTERISTICS

PART NUMBER *	CENTER FREQUENCY Fo	PASSBAND MIN.		STOPBAND MAX.		ATTENUATION GUARANTEED MIN.		RIPPLE MAX.	LOSS MAX.	TERMINATING IMPEDANCE	OPERATING TEMPERATURE	NO. OF POLES
	MHz	dB	KHz	dB	KHz	dB	KHz	dB	dB	Ω/pF	°C	
ECS-75SMF45A7.5B	45.000	3	± 3.75	30	± 12.5	80	-910	1.0	4.0	350//6.5	-30 ~ +80	4
ECS-75SMF45A20B	45.000	3	± 10.0	25	± 25.0	80	-910	1.0	3.0	500//2.5	-30 ~ +80	4
ECS-75SMF45A30B	45.000	3	± 15.0	30	± 50.0	80	-910	1.0	3.0	1000//1.0	-30 ~ +80	4
ECS-75SMF70.05A20B	70.050 *	3	± 10.0	20	± 25.0	70	-910	1.0	4.0	2500//1.0	-30 ~ +80	4

PACKAGE DIMENSIONS (mm)



PIN CONNECTIONS	
#1	Ground
#2	Zc
#3	Out/In
#4	Ground
#5	Zc
#6	In/Out

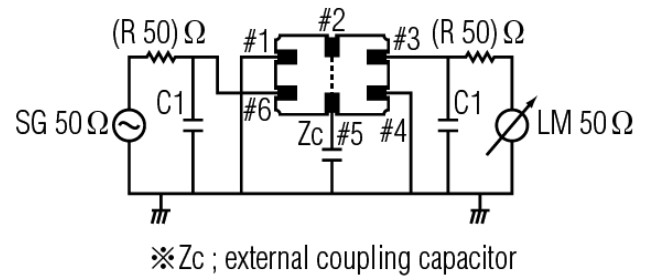


Figure 2) Test Circuit

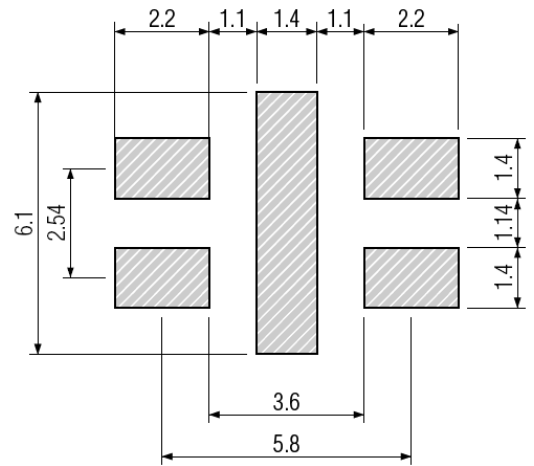


Figure 3) Land Pattern

Figure 1) Top, Side and Bottom Views

Note: * Indicates 3rd Overtone