



Chipsmall Limited consists of a professional team with an average of over 10 year of expertise in the distribution of electronic components. Based in Hongkong, we have already established firm and mutual-benefit business relationships with customers from,Europe,America and south Asia,supplying obsolete and hard-to-find components to meet their specific needs.

With the principle of “Quality Parts,Customers Priority,Honest Operation,and Considerate Service”,our business mainly focus on the distribution of electronic components. Line cards we deal with include Microchip,ALPS,ROHM,Xilinx,Pulse,ON,Everlight and Freescale. Main products comprise IC,Modules,Potentiometer,IC Socket,Relay,Connector.Our parts cover such applications as commercial,industrial, and automotives areas.

We are looking forward to setting up business relationship with you and hope to provide you with the best service and solution. Let us make a better world for our industry!



## Contact us

Tel: +86-755-8981 8866 Fax: +86-755-8427 6832

Email & Skype: info@chipsmall.com Web: www.chipsmall.com

Address: A1208, Overseas Decoration Building, #122 Zhenhua RD., Futian, Shenzhen, China





- ▶ Quartz Stability
- ▶ Ideal for Satellite Receiver
- ▶ RoHS Compliant



# ECS-D479.5B

## SAW FILTER

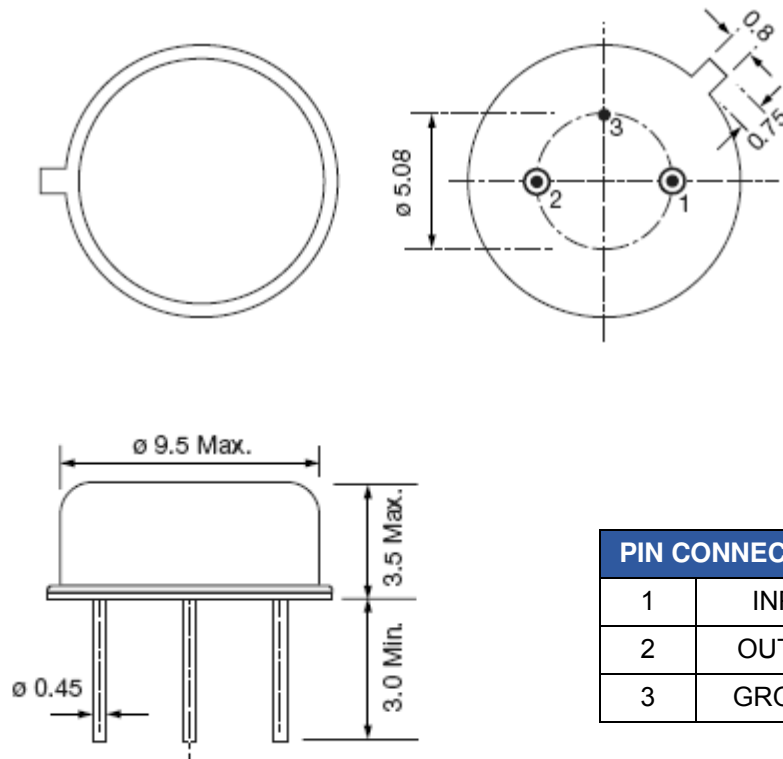
The ECS-D479.5B is a 480 MHz SAW (Surface Acoustic Wave) Filter in a thru-hole TO39-3A package. They are ideal for Satellite TV.



### OPERATING CONDITIONS / ELECTRICAL CHARACTERISTICS

PARAMETERS	CONDITIONS	ECS-D479.5B			UNITS
		MIN	TYP	MAX	
CENTER FREQUENCY		478.0	479.5	481.0	MHz
INSERTION LOSS	@ 479.5 MHz			23	dB
3 dB PASS BAND		25.7	26.7	27.7	MHz
SPURIOUS RESPONSE	0 to 750 MHz	30			dB
FREQUENCY STABILITY	-25°C to +85°C		-86		PPM/°C
INSULATION RESISTANCE	10V DC	1			MΩ
TERMINATING IMPEDANCE	INPUT	60Ω//4.8pF			
	OUTPUT	260Ω//3.1pF			
OPERATING TEMPERATURE		-25		+85	°C
STORAGE TEMPERATURE		-40		+85	°C

### PACKAGE DIMENSIONS (mm)



PIN CONNECTIONS	
1	INPUT
2	OUTPUT
3	GROUND

PART NUMBER: ECS - D479.5B