



Chipsmall Limited consists of a professional team with an average of over 10 year of expertise in the distribution of electronic components. Based in Hongkong, we have already established firm and mutual-benefit business relationships with customers from,Europe,America and south Asia,supplying obsolete and hard-to-find components to meet their specific needs.

With the principle of “Quality Parts,Customers Priority,Honest Operation,and Considerate Service”,our business mainly focus on the distribution of electronic components. Line cards we deal with include Microchip,ALPS,ROHM,Xilinx,Pulse,ON,Everlight and Freescale. Main products comprise IC,Modules,Potentiometer,IC Socket,Relay,Connector.Our parts cover such applications as commercial,industrial, and automotives areas.

We are looking forward to setting up business relationship with you and hope to provide you with the best service and solution. Let us make a better world for our industry!



Contact us

Tel: +86-755-8981 8866 Fax: +86-755-8427 6832

Email & Skype: info@chipsmall.com Web: www.chipsmall.com

Address: A1208, Overseas Decoration Building, #122 Zhenhua RD., Futian, Shenzhen, China



Resin Dipped Type

Series: EF Type : F

■ Features Lead wire terminal (Standard)

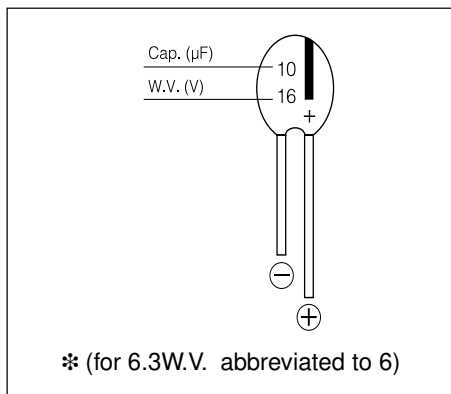
Japan



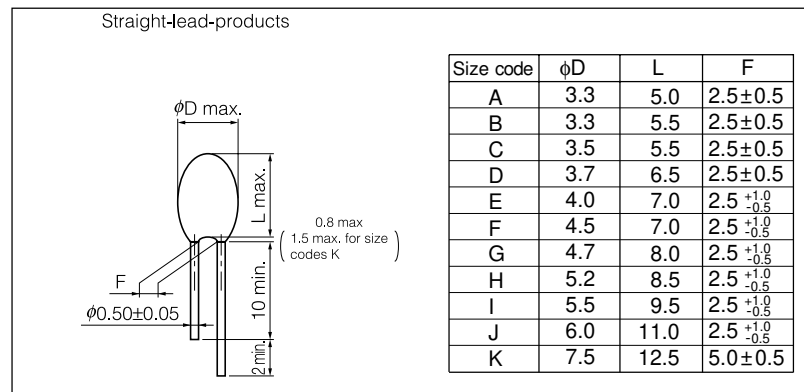
■ Specifications

Category temp. range	-55 to + 85°C (W.V. ≥ 10V.DC : -55 to 105°C)	
Rated W.V. Range	4 to 50 V .DC	
Nominal Cap. Range	0.1 to 220 μ F	
Capacitance Tolerance	±20 % or ±10% (120Hz/+20°C)	
DC Leakage Current	I ≤ 0.008 CV or 0.05 (μA) after 2 minutes application of rated working voltage at +20 °C. (whichever is the greater)	
tan δ	Please see the attached standard products list	
Moisture Resistance	After 500 hours exposure at +40 °C and 90 to 95 % R.H. without load, the capacitor shall meet the following limits.	
	Capacitance change	± 10 % of initial measured value
	tan δ	≤ 150 % of initial specified value
	DC leakage current	0.012 CV or 0.75 (μA) max. whichever is the greater.
Endurance	After 2000 hours application of rated DC working voltage at +85°C or 1000 hours at +105°C with derated voltage for 10 to 50 W.V., the capacitor shall meet the following limits.	
	Capacitance change	±10% of initial measured value
	tan δ	≤ initial specified value
	DC leakage current	0.01 CV or 0.625 (μA) max. whichever is the greater

■ Marking



■ Dimensions in mm (not to scale)



■ Case size

Cap.(μF)	W.V.(V.DC)	4(0G)	6.3(0J)	10(1A)	16(1C)	25(1E)	35(1V)	50(1H)
0.10 (104)							A	A
0.15 (154)							A	A
0.22 (224)							A	B
0.33 (334)							A	C
0.47 (474)							B	D
0.68 (684)							B	D
1.0 (105)					A	B	C	E
1.5 (155)					B	C	C	F
2.2 (225)				B	C	C	D	G
3.3 (335)				C	C	D	E	H
4.7 (475)			C	C	D	E	F	I
6.8 (685)	C	C	C	D	E	F	H	
10 (106)	C	D	E	F	F	H	I	
15 (156)	D	E	F	G	I	J	J	
22 (226)	E	F	G	H	H	J	K	
33 (336)	F	G	H	I	I	K		
47 (476)	G	H	I	J	J			
68 (686)	H	I	J	K	K			
100 (107)	I	J	K					
150 (157)	J	K						
220 (227)	K							

Note: 1. () shows W.V. and capacitance code.
 2. Products designated by (●) have the voltage code on the body.

Rev.02/04

■ Standard Products

W.V. (V)	Cap. (120Hz) (+20°C) (μF)	Body Size			Specification		Lead Space			Part No.	Min. Packaging Qty	
		Dia. (mm)	Length (mm)	Size Code	tanδ (120Hz) (+20°C) (μA)	L.C (μA)	Straight (mm)	Taping B1 (mm)	Taping BB (mm)		Straight Leads (pcs)	Taping (pcs)
4	6.8	3.5 [4.5]	5.5 [9]	C	0.1	0.3	2.5	2.5	5.0	ECSF0GE685()	200	2000
	10	3.5 [4.5]	5.5 [9]	C	0.1	0.4	2.5	2.5	5.0	ECSF0GE106()	200	2000
	15	3.7 [5]	6.5 [9]	D	0.1	0.5	2.5	2.5	5.0	ECSF0GE156()	200	2000
	22	4 [5.5]	7 [9]	E	0.1	0.8	2.5	2.5	5.0	ECSF0GE226()	200	2000
	33	4.5 [5.5]	7 [10]	F	0.1	1.1	2.5	2.5	5.0	ECSF0GE336()	200	2000
	47	4.7 [6]	8 [11]	G	0.1	1.6	2.5	2.5	5.0	ECSF0GE476()	200	2000
	68	5.2 [6]	8.5[11.5]	H	0.1	2.2	2.5	2.5	5.0	ECSF0GE686()	200	2000
	100	5.5 [6.5]	9.5[12.5]	I	0.1	3.2	2.5	2.5	5.0	ECSF0GE107()	200	2000
	150	6	11	J	0.1	4.8	2.5			ECSF0GE157()	200	
220	7.5	12.5	K	0.1	7.1	5.0			ECSF0GE227()	100		
6.3	4.7	3.5 [4.5]	5.5 [9]	C	0.06	0.3	2.5	2.5	5.0	ECSF0JE475()	200	2000
	6.8	3.5 [4.5]	5.5 [9]	C	0.06	0.4	2.5	2.5	5.0	ECSF0JE685()	200	2000
	10	3.7 [5]	6.5 [9]	D	0.06	0.6	2.5	2.5	5.0	ECSF0JE106()	200	2000
	15	4 [5.5]	7 [9]	E	0.06	0.8	2.5	2.5	5.0	ECSF0JE156()	200	2000
	22	4.5 [5.5]	7 [10]	F	0.06	1.2	2.5	2.5	5.0	ECSF0JE226()	200	2000
	33	4.7 [6]	8 [11]	G	0.06	1.7	2.5	2.5	5.0	ECSF0JE336()	200	2000
	47	5.2 [6]	8.5[11.5]	H	0.06	2.4	2.5	2.5	5.0	ECSF0JE476()	200	2000
	68	5.5 [6.5]	9.5[12.5]	I	0.06	3.5	2.5	2.5	5.0	ECSF0JE686()	200	2000
	100	6	11	J	0.08	5.1	2.5			ECSF0JE107()	200	
150	7.5	12.5	K	0.08	7.6	5.0			ECSF0JE157()	100		
10	2.2	3.3 [4.5]	5.5 [9]	B	0.06	0.2	2.5	2.5	5.0	ECSF1AE225()	200	2000
	3.3	3.5 [4.5]	5.5 [9]	C	0.06	0.3	2.5	2.5	5.0	ECSF1AE335()	200	2000
	4.7	3.5 [4.5]	5.5 [9]	C	0.06	0.4	2.5	2.5	5.0	ECSF1AE475()	200	2000
	6.8	3.7 [5]	6.5 [9]	D	0.06	0.6	2.5	2.5	5.0	ECSF1AE685()	200	2000
	10	4 [5.5]	7 [9]	E	0.06	0.8	2.5	2.5	5.0	ECSF1AE106()	200	2000
	15	4.5 [5.5]	7 [10]	F	0.06	1.2	2.5	2.5	5.0	ECSF1AE156()	200	2000
	22	4.7 [6]	8 [11]	G	0.06	1.8	2.5	2.5	5.0	ECSF1AE226()	200	2000
	33	5.2 [6]	8.5[11.5]	H	0.06	2.7	2.5	2.5	5.0	ECSF1AE336()	200	2000
	47	5.5 [6.5]	9.5[12.5]	I	0.06	3.8	2.5	2.5	5.0	ECSF1AE476()	200	2000
68	6	11	J	0.06	5.5	2.5			ECSF1AE686()	200		
100	7.5	12.5	K	0.08	8.0	5.0			ECSF1AE107()	100		
16	1	3.3 [4.5]	5 [9]	A	0.04	0.2	2.5	2.5	5.0	ECSF1CE105()	200	2000
	1.5	3.3 [4.5]	5.5 [9]	B	0.06	0.2	2.5	2.5	5.0	ECSF1CE155()	200	2000
	2.2	3.5 [4.5]	5.5 [9]	C	0.06	0.3	2.5	2.5	5.0	ECSF1CE225()	200	2000
	3.3	3.5 [4.5]	5.5 [9]	C	0.06	0.5	2.5	2.5	5.0	ECSF1CE335()	200	2000
	4.7	3.7 [5]	6.5 [9]	D	0.06	0.7	2.5	2.5	5.0	ECSF1CE475()	200	2000
	6.8	4 [5.5]	7 [9]	E	0.06	0.9	2.5	2.5	5.0	ECSF1CE685()	200	2000
	10	4.5 [5.5]	7 [10]	F	0.06	1.3	2.5	2.5	5.0	ECSF1CE106()	200	2000
	15	4.7 [6]	8 [11]	G	0.06	2.0	2.5	2.5	5.0	ECSF1CE156()	200	2000
	22	5.2 [6]	8.5[11.5]	H	0.06	2.9	2.5	2.5	5.0	ECSF1CE226()	200	2000
	33	5.5 [6.5]	9.5[12.5]	I	0.06	4.3	2.5	2.5	5.0	ECSF1CE336()	200	2000
	47	6	11	J	0.06	6.1	2.5			ECSF1CE476()	200	
68	7.5	12.5	K	0.06	8.8	5.0			ECSF1CE686()	100		

Diameter, length in brackets [] represent the formed lead type such as H,KH,BB,2B

When requesting taped product, please put the letter "B1" or "BB" between the "()".

■ Standard Products

W.V. (V)	Cap. (120Hz) (+20°C) (μF)	Body Size			Specification		Lead Space			Part No.	Min. Packaging Q'ty	
		Dia. (mm)	Length (mm)	Size Code	tanδ (120Hz) (+20°C)	L.C (μA)	Straight (mm)	Taping B1 (mm)	Taping BB (mm)		Straight Leads (pcs)	Taping (pcs)
25	1	3.3 [4.5]	5.5 [9]	B	0.04	0.2	2.5	2.5	5.0	ECSF1EE105()	200	2000
	1.5	3.5 [4.5]	5.5 [9]	C	0.06	0.3	2.5	2.5	5.0	ECSF1EE155()	200	2000
	2.2	3.5 [4.5]	5.5 [9]	C	0.06	0.5	2.5	2.5	5.0	ECSF1EE225()	200	2000
	3.3	3.7 [5]	6.5 [9]	D	0.06	0.7	2.5	2.5	5.0	ECSF1EE335()	200	2000
	4.7	4 [5.5]	7 [9]	E	0.06	1.0	2.5	2.5	5.0	ECSF1EE475()	200	2000
	6.8	4.5 [5.5]	7 [10]	F	0.06	1.4	2.5	2.5	5.0	ECSF1EE685()	200	2000
	10	5.2 [6]	8.5[11.5]	H	0.06	2.0	2.5	2.5	5.0	ECSF1EE106()	200	2000
	15	5.5 [6.5]	9.5[12.5]	I	0.06	3.0	2.5	2.5	5.0	ECSF1EE106()	200	2000
	22	6	11	J	0.06	4.4	2.5			ECSF1EE226()	200	
33	7.5	12.5	K	0.06	6.6	5.0			ECSF1EE336()	100		
35	0.1	3.3 [4.5]	5 [9]	A	0.04	0.05	2.5	2.5	5.0	ECSF1VE104()	200	2000
	0.15	3.3 [4.5]	5 [9]	A	0.04	0.05	2.5	2.5	5.0	ECSF1VE154()	200	2000
	0.22	3.3 [4.5]	5 [9]	A	0.04	0.07	2.5	2.5	5.0	ECSF1VE224()	200	2000
	0.33	3.3 [4.5]	5 [9]	A	0.04	0.1	2.5	2.5	5.0	ECSF1VE334()	200	2000
	0.47	3.3 [4.5]	5.5 [9]	B	0.04	0.2	2.5	2.5	5.0	ECSF1VE474()	200	2000
	0.68	3.3 [4.5]	5.5 [9]	B	0.04	0.2	2.5	2.5	5.0	ECSF1VE686()	200	2000
	1	3.5 [4.5]	5.5 [9]	C	0.04	0.3	2.5	2.5	5.0	ECSF1VE105()	200	2000
	1.5	3.5 [4.5]	5.5 [9]	C	0.06	0.5	2.5	2.5	5.0	ECSF1VE155()	200	2000
	2.2	3.7 [5]	6.5 [9]	D	0.06	0.7	2.5	2.5	5.0	ECSF1VE225()	200	2000
	3.3	4 [5.5]	7 [9]	E	0.06	1.0	2.5	2.5	5.0	ECSF1VE335()	200	2000
	4.7	4.5 [5.5]	7 [10]	F	0.06	1.4	2.5	2.5	5.0	ECSF1VE475()	200	2000
	6.8	5.2 [6]	8.5[11.5]	H	0.06	2.0	2.5	2.5	5.0	ECSF1VE685()	200	2000
	10	5.5 [6.5]	9.5[12.5]	I	0.06	2.8	2.5	2.5	5.0	ECSF1VE106()	200	2000
	15	6	11	J	0.06	4.2	2.5			ECSF1VE156()	200	
22	7.5	12.5	K	0.06	6.2	5.0			ECSF1VE226()	100		
50	0.1	3.3 [4.5]	5 [9]	A	0.04	0.05	2.5	2.5	5.0	ECSF1HE104()	200	2000
	0.15	3.3 [4.5]	5 [9]	A	0.04	0.06	2.5	2.5	5.0	ECSF1HE154()	200	2000
	0.22	3.3 [4.5]	5.5 [9]	B	0.04	0.09	2.5	2.5	5.0	ECSF1HE224()	200	2000
	0.33	3.5 [4.5]	5.5 [9]	C	0.04	0.2	2.5	2.5	5.0	ECSF1HE334()	200	2000
	0.47	3.7 [5]	6.5[9]	D	0.04	0.2	2.5	2.5	5.0	ECSF1HE474()	200	2000
	0.68	3.7 [5]	6.5[9]	D	0.04	0.3	2.5	2.5	5.0	ECSF1HE684()	200	2000
	1	4 [5.5]	7 [9]	E	0.04	0.4	2.5	2.5	5.0	ECSF1HE105()	200	2000
	1.5	4.5 [5.5]	7 [10]	F	0.06	0.6	2.5	2.5	5.0	ECSF1HE155()	200	2000
	2.2	4.7 [6]	8 [11]	G	0.06	0.9	2.5	2.5	5.0	ECSF1HE225()	200	2000
	3.3	5.2 [6]	8.5[11.5]	H	0.06	1.4	2.5	2.5	5.0	ECSF1HE335()	200	2000
4.7	5.5 [6.5]	9.5[12.5]	I	0.06	1.9	2.5	2.5	5.0	ECSF1HE475()	200	2000	

■ Suffix for the Part Numbers in ()

Lead style Capacitance Tolerance	Bulk		Tapi ng	
	Straight Lead A~J Size : 2.5mm K Size : 5.0mm	Formed Lead A~J Size : 5.0mm K Size : N/A	Straight Lead A~I Size : 2.5mm J, K Size : N/A	Formed Lead A~I Size : 5.0mm J, K Size : N/A
± 20%	Not applicable	H	B1	BB
± 10%	K	KH	B2	2B

Diameter, length in brackets [] represent the formed lead type such as H,KH,BB,2B

When requesting taped product, please put the letter "B1" or "BB" between the "()".

Design, Specifications are subject to change without notice. Ask factory for technical specifications before purchase and/or use. Whenever a doubt about safety arises from this product, please inform us immediately for technical consultation without fail.