



Chipsmall Limited consists of a professional team with an average of over 10 year of expertise in the distribution of electronic components. Based in Hongkong, we have already established firm and mutual-benefit business relationships with customers from,Europe,America and south Asia,supplying obsolete and hard-to-find components to meet their specific needs.

With the principle of “Quality Parts,Customers Priority,Honest Operation,and Considerate Service”,our business mainly focus on the distribution of electronic components. Line cards we deal with include Microchip,ALPS,ROHM,Xilinx,Pulse,ON,Everlight and Freescale. Main products comprise IC,Modules,Potentiometer,IC Socket,Relay,Connector.Our parts cover such applications as commercial,industrial, and automotives areas.

We are looking forward to setting up business relationship with you and hope to provide you with the best service and solution. Let us make a better world for our industry!



## Contact us

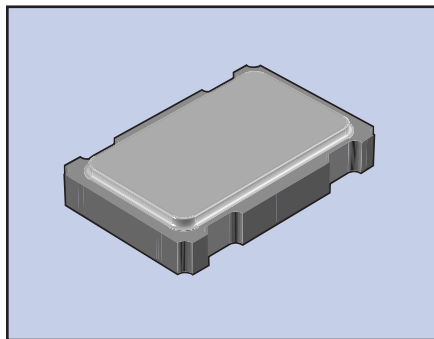
Tel: +86-755-8981 8866 Fax: +86-755-8427 6832

Email & Skype: info@chipsmall.com Web: www.chipsmall.com

Address: A1208, Overseas Decoration Building, #122 Zhenhua RD., Futian, Shenzhen, China



# ECS-P53/P55 SERIES PROGRAMMABLE SMD CLOCK OSCILLATOR



The ECS-P53 (3.3V) and ECS-P55 (5V) is our smallest programmable crystal controlled oscillator. This sub-miniature, very low profile package is ideal for today's SMD manufacturing environment.

## FEATURES

- Programmable (2 time)
- 3.3V & 5V options
- PLL technology
- Extended temp range
- 3.2 x 5 mm footage
- PbFree/RoHS Compliant

## PART NUMBERING GUIDE "EXAMPLE"

MANUFACTURER	SERIES	FREQUENCY (MHz)	STABILITY	EXTENDED TEMP (OPTION)
ECS	- P53	- 16.312	- A	- N

Sample Part Number: ECS-P53-16.312-AN

## OPERATING CONDITIONS/ELECTRICAL CHARACTERISTICS

PARAMETERS	CONDITIONS	ECS-P53 (3.3V)			ECS-P55 (5V)			UNITS
		MIN	TYP	MAX	MIN	TYP	MAX	
FREQUENCY RANGE		1.000		125.000	1.000		125.000	MHz
FREQUENCY STABILITY*	Option A			±100			±100	PPM
	Option B			±50			±50	PPM
OPERATING TEMPERATURE	Standard	-10		+70	-10		+70	°C
	Extended (Option N)	-40		+85	-40		+85	°C
STORAGE TEMPERATURE		-55		+125	-55		+125	°C
INPUT VOLTAGE (Vcc)		+3.0	+3.3	+3.6	+4.5	+5.0	+5.5	VDC
INPUT CURRENT	1.0 ~ 40.0 MHz			15			25	mA
	40.1 ~ 70.0 MHz			22			40	mA
	0.1 ~ 125.0 MHz			30			50	mA
OUTPUT SYMMETRY at 1/2 Vcc Level	1.0 ~ 70.0 MHz	45/55		55/45	45/55		55/45	%
	70.1 ~ 125.0 MHz	40/60		60/40	40/60		60/40	%
RISE AND FALL TIMES	20% Vcc to 80% Vcc			4			4	ns
JITTER	1.0 ~ 33.0 MHz			250			250	pS p-p
	33.1 ~ 125.0 MHz			250			200	pS p-p
"0" LEVEL				Vcc x 0.1			Vcc x 0.1	VDC
"1" LEVEL		Vcc x 0.9			Vcc x 0.9			VDC
LOAD				15			15	pF
ENABLE/DISABLE TIME				150			100	ns
START-UP TIME				10			10	ms

\* Inclusive of 25°C tolerance, operating temperature range, input voltage change, load change aging, shock and vibration.

## PACKAGE DIMENSIONS (mm)

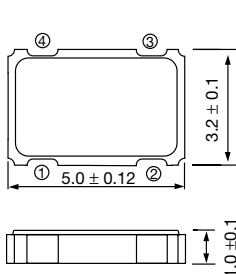


Figure 1) Top, Bottom and Side views

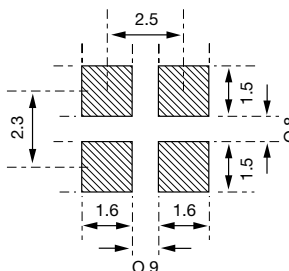


Figure 2) Land Pattern

ECS-P53 (3.3 V) TRI-STATE CONTROL VOLTAGE	
PIN #1 = OPEN	#3 = OUTPUT
PIN #1 = +0.7V MIN	#3 = OUTPUT
PIN #1 = +0.2V MAX	#3 = HIGH IMPEDANCE

ECS-P55 (5 V) TRI-STATE CONTROL VOLTAGE	
PIN #1 = OPEN	#3 = OUTPUT
PIN #1 = +2.0V MIN	#3 = OUTPUT
PIN #1 = +0.8V MAX	#3 = HIGH IMPEDANCE

PIN CONNECTIONS	
#1	TRI-STATE
#2	GND
#3	OUTPUT
#4	VCC