



Chipsmall Limited consists of a professional team with an average of over 10 year of expertise in the distribution of electronic components. Based in Hongkong, we have already established firm and mutual-benefit business relationships with customers from,Europe,America and south Asia,supplying obsolete and hard-to-find components to meet their specific needs.

With the principle of “Quality Parts,Customers Priority,Honest Operation,and Considerate Service”,our business mainly focus on the distribution of electronic components. Line cards we deal with include Microchip,ALPS,ROHM,Xilinx,Pulse,ON,Everlight and Freescale. Main products comprise IC,Modules,Potentiometer,IC Socket,Relay,Connector.Our parts cover such applications as commercial,industrial, and automotives areas.

We are looking forward to setting up business relationship with you and hope to provide you with the best service and solution. Let us make a better world for our industry!



## Contact us

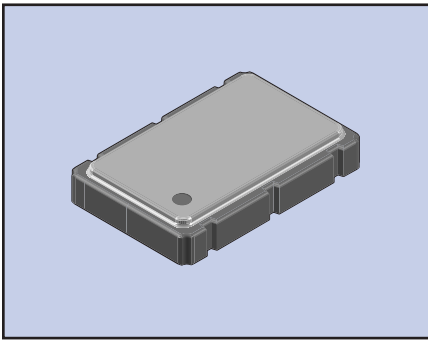
Tel: +86-755-8981 8866 Fax: +86-755-8427 6832

Email & Skype: info@chipsmall.com Web: www.chipsmall.com

Address: A1208, Overseas Decoration Building, #122 Zhenhua RD., Futian, Shenzhen, China



# ECS-VXO-73/VXO-75 SERIES SMD VCXO'S



The ECS-VXO-73 (3.3V) and ECS-VXO-75 (5.0V) are miniature VCXO'S voltage controlled crystal oscillators with tri-state in a ceramic SMD package. The low profile package is ideal for todays advanced portable PC and instrumentation applications.

## FEATURES

- 3.3V & 5.0V versions
- 1.6 mm profile
- Low power consumption
- Tri-State
- Seam welded package
- Tape & Reel (1,000 pcs STD)
- PbFree/RoHS Compliant

## PART NUMBERING GUIDE

SERIES	FREQUENCY (27.0 MHz)
ECS-VXO-73	270

Sample Part Number: ECS-VXO-73-270. 3.3V. 27.000 MHz VCXO

## OPERATING CONDITIONS/ELECTRICAL CHARACTERISTICS

PARAMETERS	CONDITIONS	ECS-VXO-73 (3.3V)			ECS-VXO-75 (5.0V)			UNITS
		MIN	TYP	MAX	MIN	TYP	MAX	
FREQUENCY RANGE		3.000		77.760	3.000		77.760	MHz
TEMPERATURE RANGE	Operating	-10		+70	-10		+70	°C
	Storage	-40		+85	-40		+85	°C
SUPPLY VOLTAGE	+3.14	+3.3	+3.465	+4.75	+5.0	+5.25	V DC	
FREQUENCY STABILITY*	All Conditions			±50			±50	PPM
FREQUENCY PULLING RANGE		±90			±100			PPM
CONTROL VOLTAGE		0	+1.65	+3.3	+0.5	+2.5	+4.5	V DC
FREQUENCY LINEARITY	Positive Slope			±15			±10	%
INPUT CURRENT	No Load			20			40	mA
OUTPUT SYMMETRY	@ 1/2 VCC Level	40/60		60/40	40/60		60/40	%
RISE AND FALL TIMES				5			5	ns
LOGIC "0" LEVEL				10% Vcc			10% Vcc	V DC
LOGIC "1" LEVEL		90% Vcc			90% Vcc			V DC
LOAD	CMOS			15			15	pF
START-UP TIME				10			10	ms
MODULATION BANDWIDTH	(-3 dB)	10			10			KHz
DISABLE TIME				100			100	ns

\* Inclusive of 25°C tolerance, operating temperature range, input voltage change, load change, aging shock and vibration.  
 Note: A 0.01-0.1 µF bypass capacitor should be placed between Vcc (Pad 6) and GND (Pad 3) for stable oscillation and to minimize power line noise.

## PACKAGE DIMENSIONS (mm)

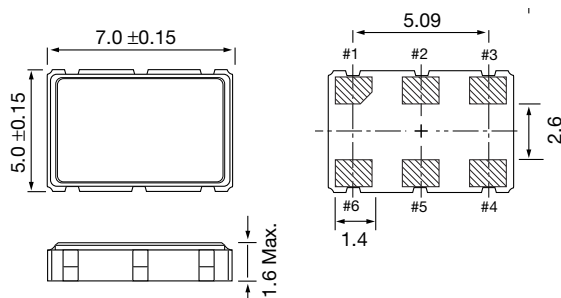


Figure 1) ECS-VXO-73/VXO-75 Top and Side view

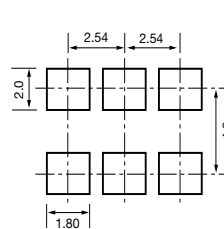


Figure 2) Land Pattern

PIN CONNECTIONS	
#1	V CONTROL
#2	TRI-STATE
#3	GND
#4	OUTPUT
#5	NC
#6	VCC

ECS-VXO-73/VXO-75 TRI-STATE CONTROL VOLTAGE		
VXO-73, PAD 2	VXO-75, PAD 2	PAD 4
OPEN	OPEN	OSCILLATION
+2.2V MIN	+3.5V MIN	OSCILLATION
+0.8V MIN	+1.5V MIN	HIGH