



Chipsmall Limited consists of a professional team with an average of over 10 year of expertise in the distribution of electronic components. Based in Hongkong, we have already established firm and mutual-benefit business relationships with customers from,Europe,America and south Asia,supplying obsolete and hard-to-find components to meet their specific needs.

With the principle of “Quality Parts,Customers Priority,Honest Operation,and Considerate Service”,our business mainly focus on the distribution of electronic components. Line cards we deal with include Microchip,ALPS,ROHM,Xilinx,Pulse,ON,Everlight and Freescale. Main products comprise IC,Modules,Potentiometer,IC Socket,Relay,Connector.Our parts cover such applications as commercial,industrial, and automotives areas.

We are looking forward to setting up business relationship with you and hope to provide you with the best service and solution. Let us make a better world for our industry!



Contact us

Tel: +86-755-8981 8866 Fax: +86-755-8427 6832

Email & Skype: info@chipsmall.com Web: www.chipsmall.com

Address: A1208, Overseas Decoration Building, #122 Zhenhua RD., Futian, Shenzhen, China



CLASSIFICATION	SPECIFICATIONS	No. 151S-ECJ-KI609E
SUBJECT	Low ESR Type Multilayer Ceramic Chip Capacitor "1632" Type (EIA 0612 type) Individual Specification	PAGE 1 of 2
		DATE 21-Sep-01

1. Scope

This specification applies to MATSUSHITA'S Low ESR Type Multilayer Ceramic Chip Capacitor "1632" Type (EIA 0612Type) rated voltage 16VDC..

2. Style and Dimensions

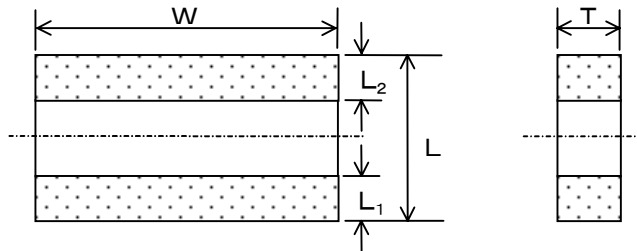


Table 1

Symbol	Dimensions(mm)
L	1.60 +/- 0.20
W	3.20 +/- 0.20
T	0.85 +/- 0.10
L1,L2	0.30 +/- 0.20

3. Operating Temperature Range

Table 2

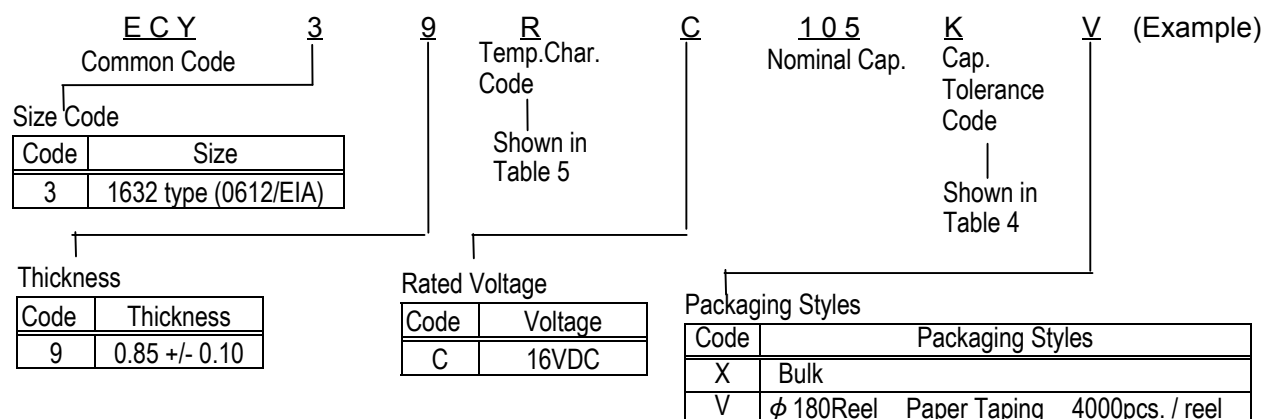
	Temperature Characteristics	Operating Temp. Range.
Class2	X7R (334)	-55 to +125°C
	X5R (105)	-55 to +85°C

4. Individual Specification

Table 3

Part Number	Rated Voltage	Temp.Char.	Nominal Capacitance	Cap. Tolerance	Tan δ
ECY39RC334□◇	16V D.C.	X7R	0.33 uF	+/-10% or +/-20%	0.025 max
ECY39RC105□◇	16V D.C.	X5R	1.0 uF	+/-10% or +/-20%	0.025 max

5. Explanation of Part Numbers



Note :

CERAMIC BUSINESS UNIT LCR DEVICE COMPANY
MATSUSHITA ELECTRONIC COMPONENTS CO., LTD.
KADOMA, OSAKA, JAPAN

APPROVAL

CHECK

DESIGN

CLASSIFICATION	SPECIFICATIONS	NO. 151S-ECJ- KI609E
SUBJECT	Low ESR Type Multilayer Ceramic Chip Capacitor "1632" Type (EIA 0612 Type) Individual Specification	PAGE 2 of 2
		DATE 21-Sep-01

6. Capacitance Tolerance

Table 4

Part No. Code	Cap. Tolerance	Temp. Char.	Class
K	+/- 10%	X7R	2
M	+/- 20%	X5R	

7. Temperature Characteristics

Temperature Characteristics of Class 2 Capacitors

Table 5

Temp. Char. Code	Capacitance Change rate from Temperature			Measurement Temperature Range	Reference Temperature
	Temp. Char.	Without voltage application	With 1/2 Rated voltage application		
R	X7R (334)	± 15%	---	-55 to +125°C	+25°C
	X5R (105)	± 15%	---	-55 to +85°C	+25°C

8. Soldering method

Soldering method of Multilayer ceramic chip capacitor shall be reflow soldering.

9. Part Number List

Table 5

Capacitance (uF)	B	
	16VDC	
	Part Number	T (mm)
0.33	ECY39RC334□V	0.85
1.0	ECY39RC105□V	0.85

* □ : Capacitance Tolerance Code ; K(±10%) or M(±20%)

Note