



Chipsmall Limited consists of a professional team with an average of over 10 year of expertise in the distribution of electronic components. Based in Hongkong, we have already established firm and mutual-benefit business relationships with customers from,Europe,America and south Asia,supplying obsolete and hard-to-find components to meet their specific needs.

With the principle of "Quality Parts,Customers Priority,Honest Operation,and Considerate Service",our business mainly focus on the distribution of electronic components. Line cards we deal with include Microchip,ALPS,ROHM,Xilinx,Pulse,ON,Everlight and Freescale. Main products comprise IC,Modules,Potentiometer,IC Socket,Relay,Connector.Our parts cover such applications as commercial,industrial, and automotives areas.

We are looking forward to setting up business relationship with you and hope to provide you with the best service and solution. Let us make a better world for our industry!



Contact us

Tel: +86-755-8981 8866 Fax: +86-755-8427 6832

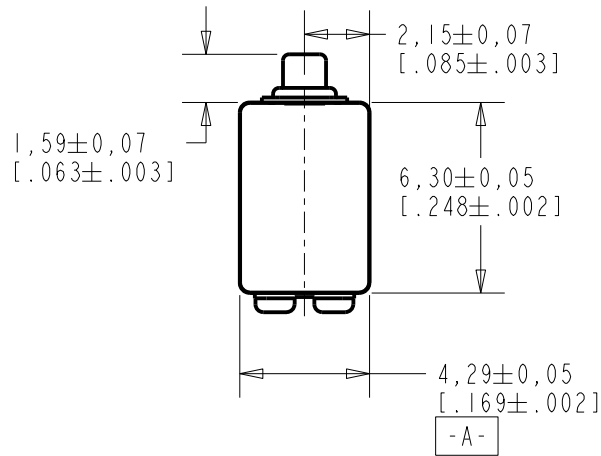
Email & Skype: info@chipsmall.com Web: www.chipsmall.com

Address: A1208, Overseas Decoration Building, #122 Zhenhua RD., Futian, Shenzhen, China



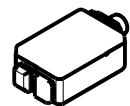
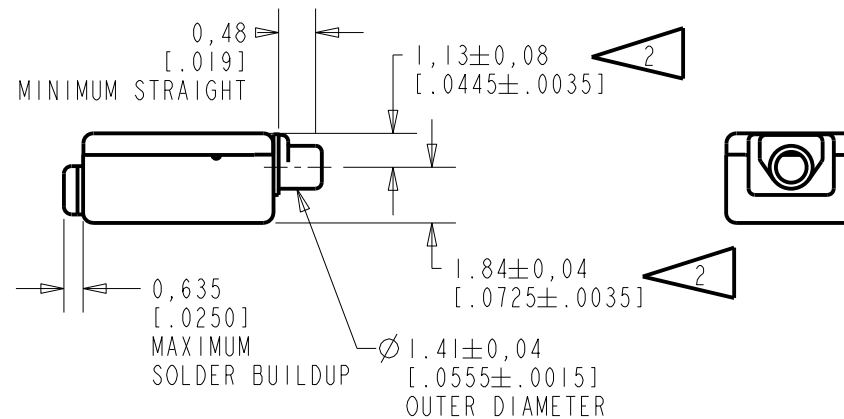
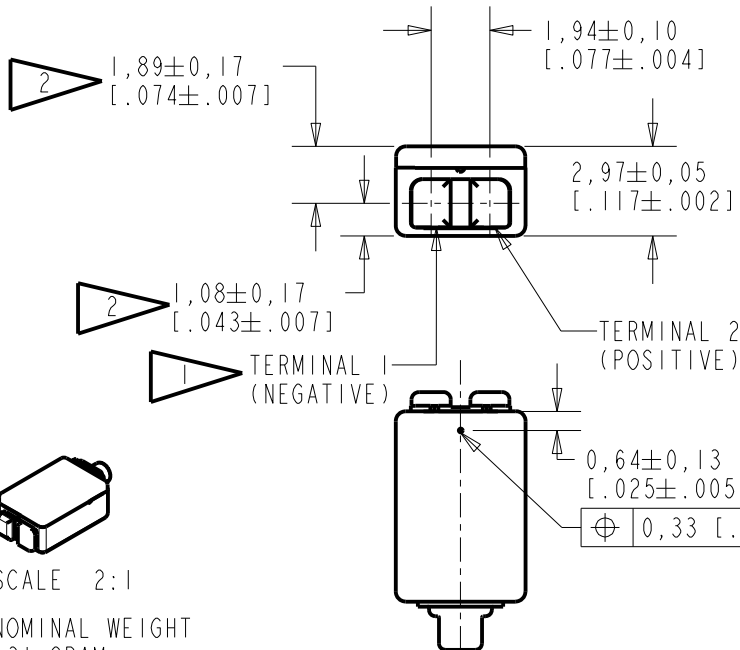
ED-31305-163

SHT 1.1



NOTE:

- 1 A POSITIVE GOING VOLTAGE AT TERMINAL 2, RELATIVE TO TERMINAL 1, CAUSES A DECREASE IN PRESSURE AT THE SOUND OUTLET.
- 2 LOCATED FROM TWO SURFACES FOR CUSTOMER CONVENIENCE. ONLY APPLICABLE FROM ONE SURFACE, NOT TO BE USED TOGETHER. HORIZONTAL LOCATION FOR TERMINAL CENTERED TO $\pm 0,17$ [.007].
- 3 IT IS IMPORTANT TO KEEP HOLE CLEAN AND CLEAR AT ALL TIMES. CLOGGING THE HOLE WILL CAUSE PERFORMANCE CHANGES.



SCALE 2:1

NOMINAL WEIGHT
.31 GRAM

DIMENSIONS IN MILLIMETERS [INCHES]

Revision	C.O. #	Implementation Date	RELEASE LEVEL	REVISION
			Active	A
A	C10112227P	3-22-11		

SCALE:	4:1	DR. BY	DATE
DO NOT SCALE DRAWING		KL	3-22-11
TITLE:	RECEIVER	CK. BY	DATE
	OUTLINE DRAWING	GJP	3-24-11
		APP. BY	DATE
		GJP	3-24-11

KNOWLES ELECTRONICS
ITASCA, ILLINOIS U.S.A.

ED-31305-163

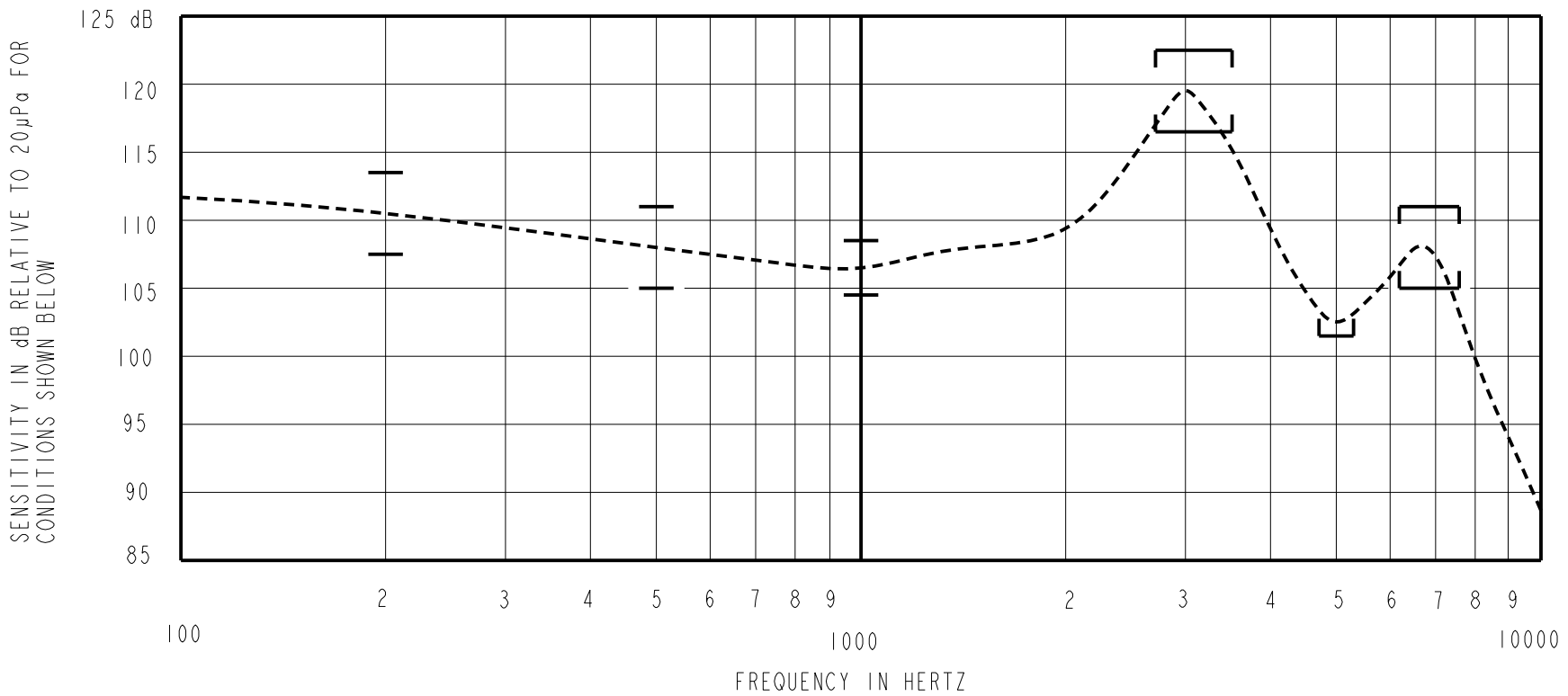
SHT 1.1

DESCRIPTION

THE ED-31305-163 IS A RESISTIVE VENTED RECEIVER WITH CUSTOMIZED TESTING.

NO DAMPING

ED-31305-163
SHEET 2.1



ACOUSTICAL

SENSITIVITY
DEVICE WILL PRODUCE THE SPL LISTED BELOW UNDER TEST CONDITIONS DESCRIBED IN TABLE 3.
NOMINAL SENSITIVITY AT 1kHz IS dB RELATIVE TO 20µPa. ALL OTHER VALUES
IN dB RELATIVE TO THE SENSITIVITY AT 1kHz. TEST DATA MEASURED WITH VENT OPEN.

FREQUENCY (Hz)	MINIMUM	NOMINAL	MAXIMUM
200	+1.0	+4.0	+7.0
500	-1.5	+1.5	+4.5
1000	-2.0	106.5	+2.0
2750-3550	+10.0	+13.0	+16.0
5000	-5.0	---	---
6200-7600	-1.5	+1.5	+4.5

TABLE 1

TOTAL HARMONIC DISTORTION
DEVICE WILL NOT EXCEED TOTAL HARMONIC DISTORTION LEVELS LISTED BELOW.

FREQUENCY (Hz)	AC DRIVE (V rms)	DC BIAS (mA)	LIMIT (%)
500	0.413	0	10
1000	0.146	0	5
1500	0.146	0	5

TABLE 2

TEST CONDITIONS

NOMINAL SOURCE VOLTAGE	0.146 V rms, 0mA DC BIAS
SOURCE IMPEDANCE	<1 Ohm
TUBING	TUBELESS, KNOWLES TOOL NUMBER T8688
COUPLER CAVITY	IEC 60318-4(IEC 711)

TABLE 3

ELECTRICAL

NOMINAL SOURCE VOLTAGE	0.146 V rms, 0mA DC BIAS
DC RESISTANCE	39.2 OHMS ± 10%
IMPEDANCE @ 500 Hz	58.8 OHMS ± 20%
IMPEDANCE @ 1 kHz	91.8 OHMS ± 20%

TABLE 4

ISOLATION: CASE WILL BE ELECTRICALLY ISOLATED FROM THE COIL CIRCUIT.

PORT LOCATION: 12N

BUZZ TEST

LISTENING TEST CONDUCTED BETWEEN 50Hz TO 5kHz TO DETECT BUZZ.

INPUT VOLTAGE DRIVE SIGNAL	.146V
----------------------------	-------

TABLE 5

Revision	C.O. #	Implementation Date	RELEASE LEVEL	REVISION
A	CI0112227P	3-22-11	Active	A

WHEN TEST LIMITS ARE USED TO ESTABLISH INCOMING INSPECTION ACCEPTANCE/REJECTION CRITERIA, CORRELATION OF TEST EQUIPMENT WITH KNOWLES IS ALSO REQUIRED FOR ELIMINATION OF EQUIPMENT AND TEST METHOD VARIATION		DR. BY	DATE
TITLE: RECEIVER PERFORMANCE SPECIFICATION		KL	3-22-11
		CK. BY	DATE
		GJP	3-24-11
		APP. BY	DATE
		GJP	3-24-11

KNOWLES ELECTRONICS
ITASCA, ILLINOIS U.S.A.

RECEIVER
PERFORMANCE SPECIFICATION

ED-31305-163
SHT 2.1