



Chipsmall Limited consists of a professional team with an average of over 10 year of expertise in the distribution of electronic components. Based in Hongkong, we have already established firm and mutual-benefit business relationships with customers from,Europe,America and south Asia,supplying obsolete and hard-to-find components to meet their specific needs.

With the principle of “Quality Parts,Customers Priority,Honest Operation,and Considerate Service”,our business mainly focus on the distribution of electronic components. Line cards we deal with include Microchip,ALPS,ROHM,Xilinx,Pulse,ON,Everlight and Freescale. Main products comprise IC,Modules,Potentiometer,IC Socket,Relay,Connector.Our parts cover such applications as commercial,industrial, and automotives areas.

We are looking forward to setting up business relationship with you and hope to provide you with the best service and solution. Let us make a better world for our industry!



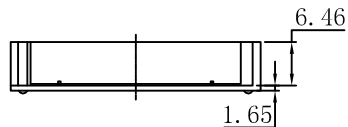
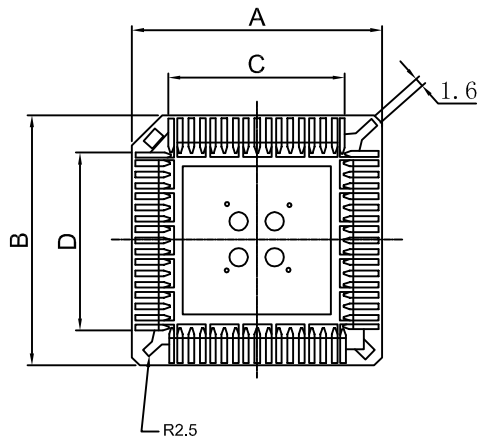
## Contact us

Tel: +86-755-8981 8866 Fax: +86-755-8427 6832

Email & Skype: info@chipsmall.com Web: www.chipsmall.com

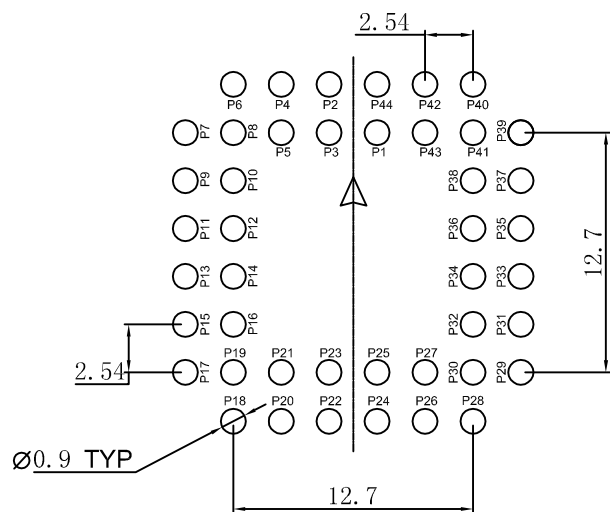
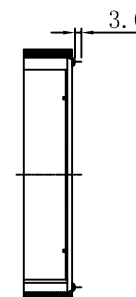
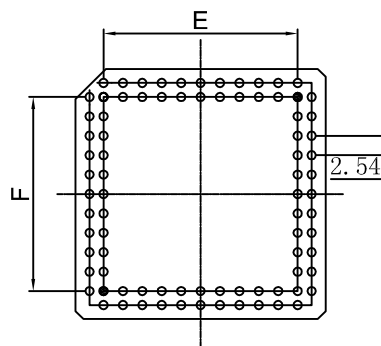
Address: A1208, Overseas Decoration Building, #122 Zhenhua RD., Futian, Shenzhen, China





Insulator Material:PBT &40%Class Fiber(UL 94V-0)  
 Contact Resistance:30MΩ MAX at DC 100MA  
 Current Rating: 1 AMP  
 Dielectric Withstanding Voltage:AC 500V For 1 minute  
 Temperayure Rating:-55C~+105C  
 Contact Material:Phosphor Bronze.Tin Plated

NO OF CONTACT	A±0.15	B±0.15	C±0.15	D±0.15	E±0.15	F±0.15
20 <sub>PBT</sub>	15.50	15.50	5.08	5.08	5.08	5.08
28 <sub>PBT</sub>	18.04	18.04	7.62	7.62	7.62	7.62
32 <sub>PBT</sub>	18.04	20.54	7.62	10.16	7.62	10.16
44 <sub>PBT</sub>	23.48	23.48	12.70	12.70	12.70	12.70
52 <sub>PBT</sub>	25.88	25.88	15.24	15.24	15.24	15.24
68 <sub>PBT</sub>	31.66	31.66	20.32	20.32	20.32	20.32
84 <sub>PBT</sub>	36.66	36.66	25.40	25.40	25.40	25.40



PCB LAYOUT(CIRCUIT CONFIGURATION)

RoHS Compliant

**OST** ON-SHORE TECHNOLOGY, INC.

THESE DRAWINGS AND SPECIFICATIONS ARE THE PROPERTY OF ON-SHORE TECHNOLOGY, INC. AND SHALL NOT BE REPRODUCED, COPIED OR USED IN ANY MANNER WITHOUT THE PRIOR WRITTEN CONSENT OF ON-SHORE TECHNOLOGY, INC.

TITLE		PLCC Socket - thru hole			
PART NO.	EDO-XXPLCZ	replace XX with contacts	DWG NO.	EDO-XXPLCZ.DWG	
APPROVED	CHECKED	DESIGNED	DRAWN	CUST NO.	1200
Wilson 2009.11.11	Wilson 2009.11.11	Tony 2009.11.11	Tony 2009.11.11		Tolerance
					UNIT: mm
				SCALE: NONE	X.X ±0.20
				REV.: A	X.XX ±0.10
				SHEET: 01/01	X° ±1°