



Chipsmall Limited consists of a professional team with an average of over 10 year of expertise in the distribution of electronic components. Based in Hongkong, we have already established firm and mutual-benefit business relationships with customers from,Europe,America and south Asia,supplying obsolete and hard-to-find components to meet their specific needs.

With the principle of “Quality Parts,Customers Priority,Honest Operation,and Considerate Service”,our business mainly focus on the distribution of electronic components. Line cards we deal with include Microchip,ALPS,ROHM,Xilinx,Pulse,ON,Everlight and Freescale. Main products comprise IC,Modules,Potentiometer,IC Socket,Relay,Connector.Our parts cover such applications as commercial,industrial, and automotives areas.

We are looking forward to setting up business relationship with you and hope to provide you with the best service and solution. Let us make a better world for our industry!



Contact us

Tel: +86-755-8981 8866 Fax: +86-755-8427 6832

Email & Skype: info@chipsmall.com Web: www.chipsmall.com

Address: A1208, Overseas Decoration Building, #122 Zhenhua RD., Futian, Shenzhen, China



2

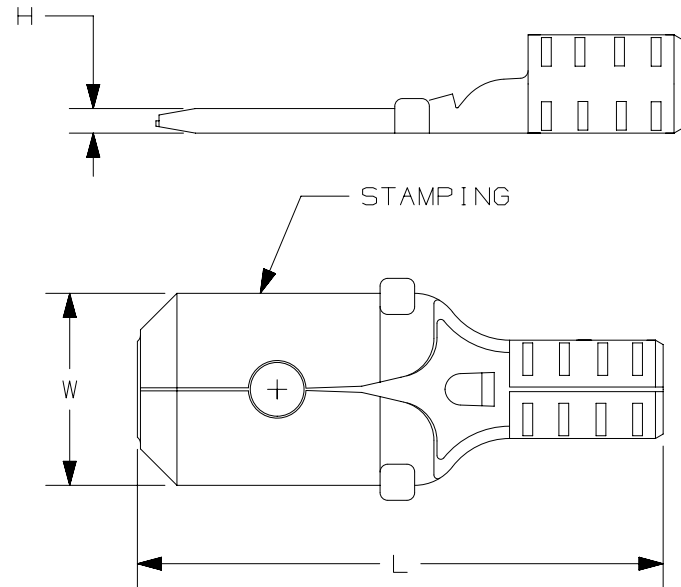
1

THIS COPY IS PROVIDED ON A RESTRICTED BASIS AND IS NOT TO BE USED IN ANY WAY DETRIMENTAL TO THE INTERESTS OF PANDUIT CORP.

PANDUIT PART #	WIRE RANGE AWG [mm ²]	TAB SIZE INCH [mm]	DIMENSIONS in. [mm]		
			L ± .03 [0,8]	W ± .01 [0,3]	H ± .01 [0,3]
ED18-250MB	#22-18 [0,5-1,0]	.250 X .032 [6,3 X 0,8]	.69 [17,4]	.25 [6,3]	.03 [0,8]
ED14-250MB	#16-14 [1,5-2,5]		.69 [17,4]	.25 [6,3]	.03 [0,8]

NOTES:

- USED FOR:
 - STRANDED COPPER WIRE ONLY
 - 302°F [150°C] MAX. OPERATING TEMPERATURE
 - 2000 V. MAX VOLTAGE RATING
- MATERIAL:
 - STAMPING: .016" [.41] THK. BRASS, NICKEL PLATED
- INSTALLATION TOOLS: CT-100A, CT-200, CT-260, CT-600A (CT-570CH), CT-2500 (CT-2570CH)
- WIRE STRIP LENGTH: 9/32" ^{+1/32}₋₀ [7,1mm ^{+0,8}₋₀]
- SEE www.panduit.com FOR PACKAGE QUANTITIES INDICATED BY PART NUMBER SUFFIX
- DIMENSIONS IN BRACKETS ARE METRIC EQUIVALENT



REV	DATE	BY	CHK	APR	DESCRIPTION	ECN
00	2/18	JHNU	TMR	RGB	RELEASED	00123SH

TITLE STRONGHOLD MALE DISCONNECT (250 SERIES) NON-INSULATED, BUTTED SEAM #22-14 AWG CUSTOMER DRAWING					
ITEM REVISION NAME 00123SHX/00		PANDUIT TM			
DATASET FILE NAME 00123SHX_DC/00					
UNLESS OTHERWISE SPECIFIED, DIMENSIONAL TOLERANCES ARE: IN [mm] .x ± .1 [2.54] .xxx ± .005 [.13] .xx ± .01 [.25] ANGLES ± 5 °				MATERIAL: SEE NOTES	
DRAWING NUMBER: SH41320					
DRAWN BY JHNU	DATE 2/18	CHK TMR	SCALE N.T.S.	SHEET 1 OF 1	SIZE A

2

1

D101000DA/12