



Chipsmall Limited consists of a professional team with an average of over 10 year of expertise in the distribution of electronic components. Based in Hongkong, we have already established firm and mutual-benefit business relationships with customers from,Europe,America and south Asia,supplying obsolete and hard-to-find components to meet their specific needs.

With the principle of “Quality Parts,Customers Priority,Honest Operation,and Considerate Service”,our business mainly focus on the distribution of electronic components. Line cards we deal with include Microchip,ALPS,ROHM,Xilinx,Pulse,ON,Everlight and Freescale. Main products comprise IC,Modules,Potentiometer,IC Socket,Relay,Connector.Our parts cover such applications as commercial,industrial, and automotives areas.

We are looking forward to setting up business relationship with you and hope to provide you with the best service and solution. Let us make a better world for our industry!



Contact us

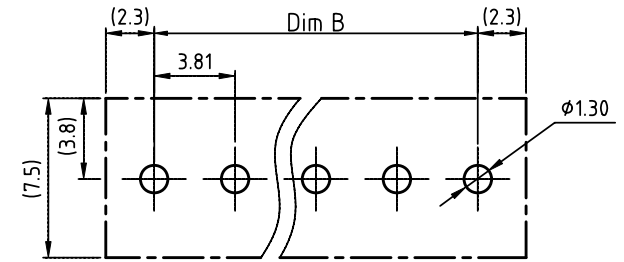
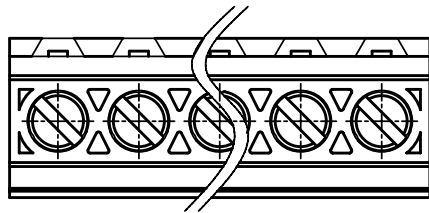
Tel: +86-755-8981 8866 Fax: +86-755-8427 6832

Email & Skype: info@chipsmall.com Web: www.chipsmall.com

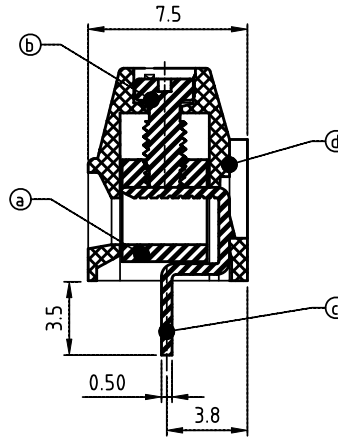
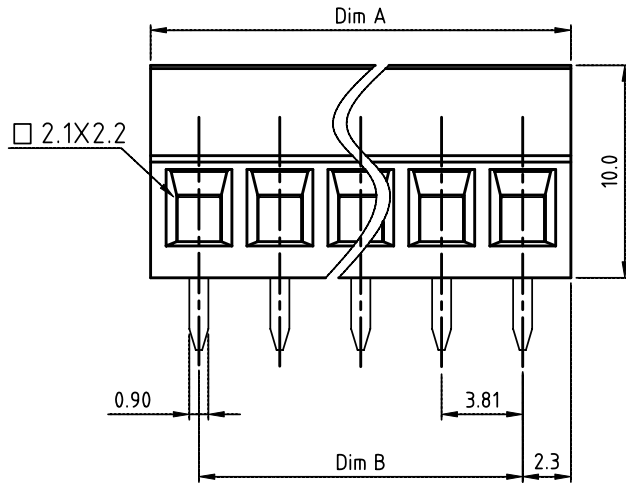
Address: A1208, Overseas Decoration Building, #122 Zhenhua RD., Futian, Shenzhen, China



PRODUCT NUMBER	PITCH
EDxx31x000J0G	3.81mm



RECOMMENDED P.C.B LAYOUT
TOP VIEW



Material

- Item Ⓐ Clamp : Brass , Ni plated
- Item Ⓑ Terminal screw : Steel Zinc plating;"-"/slot type
- Item Ⓒ solder pin : Brass , Tin plated
- Item Ⓓ Terminal housing : Thermoplastic (UL94V-0)

Electrical cULus

- Voltage rating: 300VAC
- Current rating: 8A
- Wire range:
- Solid wire(AWG): 16-24
- Stranded wire(AWG):16-24
- Torque(Lb-In): 2.17
- Screw: M2
- Wire strip length: 6-7mm
- Withstanding Voltage: 1.6KV
- Operating temperature: -40°C to +115°C
- Soldering temperature: 260°C±5°C/5 Sec
- Safety Approval: cULus

N=Number of poles
Dimension A&B

Dim A	(N-1)×3.81+4.55
Dim B	(N-1)×3.81

Poles	DimA&B Tolerance
2P-4P	±0.15
5P-8P	±0.20
9P-16P	±0.30
17P-24P	±0.40

PART NO.: ED xx 3 1 x 0 00J0 G

Solid Block	0	Black (RAL9005)	RoHS compliant (lead<4%) In copper Alloy
No. of poles	2	Red (RAL3001/D)	
02 2 poles	3	Orange(RAL2011/P)	
03 3 poles	4	Yellow(RAL1018/A)	
...	...	5 Green(RAL6018/T)	
24 24 poles	6	Blue (RAL5015/A)	
	8	Grey(RAL7035/D)	
	9	White(RAL1102)	
	C	Green(RAL6018/U)	

mat'l. code		surface ASME Y14.5	tolerance ASME Y14.5	projection	product family TERMINAL BLOCK
ltr	ecn no	dr	date	 MM	title TERMINAL BLOCK
tolerances unless otherwise specified					scale
angles		X.±0.5			dwg no EDxx31x000J0G
X°±1'		X.XX±0.1			sheet 1 of 1 size A4
dr	ENGR	ENGR	APPD		type CUSTOMER Drawing
	EVIN ZHONG	EVIN ZHONG	SHI JUN		
	040714	040714	040714		
sheet index	revision	A			
	sheet	1			