



Chipsmall Limited consists of a professional team with an average of over 10 year of expertise in the distribution of electronic components. Based in Hongkong, we have already established firm and mutual-benefit business relationships with customers from,Europe,America and south Asia,supplying obsolete and hard-to-find components to meet their specific needs.

With the principle of “Quality Parts,Customers Priority,Honest Operation,and Considerate Service”,our business mainly focus on the distribution of electronic components. Line cards we deal with include Microchip,ALPS,ROHM,Xilinx,Pulse,ON,Everlight and Freescale. Main products comprise IC,Modules,Potentiometer,IC Socket,Relay,Connector.Our parts cover such applications as commercial,industrial, and automotives areas.

We are looking forward to setting up business relationship with you and hope to provide you with the best service and solution. Let us make a better world for our industry!



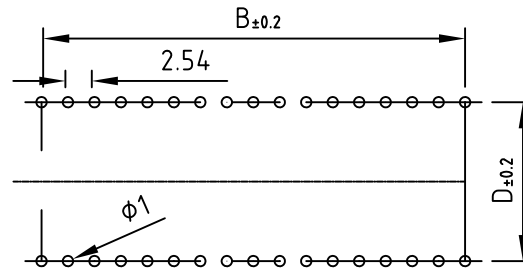
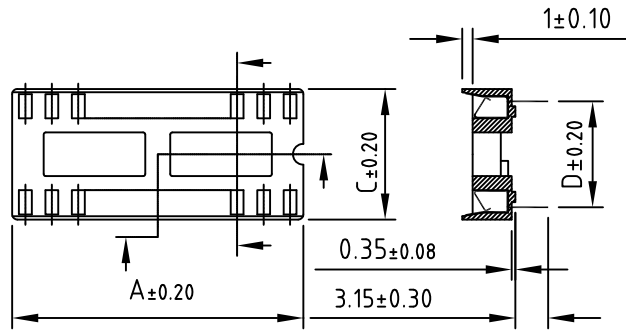
Contact us

Tel: +86-755-8981 8866 Fax: +86-755-8427 6832

Email & Skype: info@chipsmall.com Web: www.chipsmall.com

Address: A1208, Overseas Decoration Building, #122 Zhenhua RD., Futian, Shenzhen, China

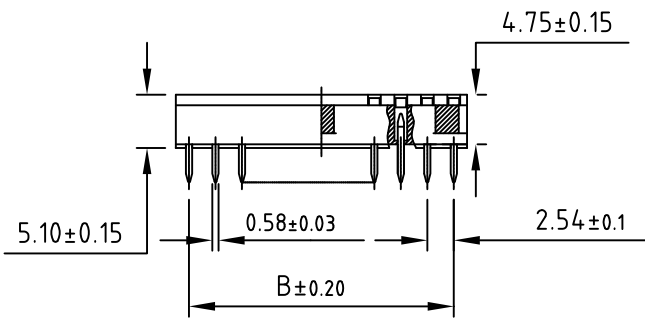




MATERIAL :
 Contact :
 Phosphor Bronze thickness 0.15mm
 Plating :
 Contact Plating, Tin plated 60u"-80u"
 (Lead free plating)
 Insulator :
 PBT-4830 , UL 94V-0

SPECIFICATIONS:
 Current Rating : 1A
 Dielectric withstanding Voltage : 1000v RMS/minute
 Insulator resistance : 5000 Megohms min.
 Contact resistance : 20 milliohms initial
 30 milliohms after test.
 Operating temperatures : -25°C to 85°C
 Insertion force : 340g(12 oz) max.per contact.
 Withdrawal force : 80g(2.82 oz) min.per contact

RoHS Compliant



Part Number

add 1 for 7.62 spacing
 on 24, 28 position
 otherwise leave blank

EDXXXDT

of contacts
 06 - 6 contacts
 08 - 8 contacts
 14 - 14 contacts
 etc.
 48 - 48 contacts

PART NO	CKT	A±0.20	B±0.20	C±0.20	D±0.20
ED06DT	6	7.62	5.08	10.16	7.62
ED08DT	8	10.16	7.62		
ED14DT	14	17.78	15.24		
ED16DT	16	20.32	17.78		
ED18DT	18	22.86	20.32		
ED20DT	20	25.40	22.86		
ED241DT	24	30.48	27.94		
ED281DT	28	35.56	33.02		

PART NO	CKT	A±0.20	B±0.20	C±0.20	D±0.20
ED24DT	24	30.48	27.94	17.78	15.24
ED28DT	28	35.56	33.02		
ED32DT	32	40.64	38.10		
ED40DT	40	50.80	48.26		
ED42DT	42	53.34	50.80		
ED48DT	48	60.96	58.42		

OST ON-SHORE TECHNOLOGY, INC.

THESE DRAWINGS AND SPECIFICATIONS ARE THE PROPERTY OF ON-SHORE TECHNOLOGY, INC. AND SHALL NOT BE REPRODUCED, COPIED OR USED IN ANY MANNER WITHOUT THE PRIOR WRITTEN CONSENT OF ON-SHORE TECHNOLOGY, INC.

TITLE		2.54mm Dual in Line IC Stamped Socket			
PART NO.	EDXXXDT	DWG NO.	EDXXXDT.DWG		
APPROVED	CHECKED	DESIGNED	DRAWN	CUST NO.	Tolerance
		Tony 2006.02.07	Tony 2006.02.07		X. ±0.50 X.X ±0.30 X.XX ±0.10 X° ±1°
				SHEET: 01/01	REV: D