



Chipsmall Limited consists of a professional team with an average of over 10 year of expertise in the distribution of electronic components. Based in Hongkong, we have already established firm and mutual-benefit business relationships with customers from,Europe,America and south Asia,supplying obsolete and hard-to-find components to meet their specific needs.

With the principle of “Quality Parts,Customers Priority,Honest Operation,and Considerate Service”,our business mainly focus on the distribution of electronic components. Line cards we deal with include Microchip,ALPS,ROHM,Xilinx,Pulse,ON,Everlight and Freescale. Main products comprise IC,Modules,Potentiometer,IC Socket,Relay,Connector.Our parts cover such applications as commercial,industrial, and automotives areas.

We are looking forward to setting up business relationship with you and hope to provide you with the best service and solution. Let us make a better world for our industry!



Contact us

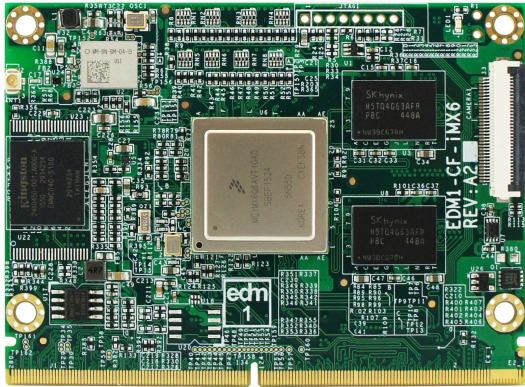
Tel: +86-755-8981 8866 Fax: +86-755-8427 6832

Email & Skype: info@chipsmall.com Web: www.chipsmall.com

Address: A1208, Overseas Decoration Building, #122 Zhenhua RD., Futian, Shenzhen, China



EDM1-CF-IMX6



Main Features

- ARM Cortex-A9 NXP i.MX6 scalable single/dual/quad core EDM type 1 compact System-on-Module
- Gigabit LAN, WiFi 802.11 b/g/n and Bluetooth v. 4.0 communication interface
- Targeting multimedia applications with LVDS, TTL, HDMI, S/PDIF, I²S, MIPI camera and display



Power	LAN	TTL		GPMC		I ² S 2 nd	SPDIF	CANBus x2	SD	SPI x2	UART x2	Buttons + GPIO	RSVD
		LVDS	HDMI	Pcie x1	SATA 1 st	USB OTG	USB Host				I ² S 1 st		

Specifications

Core System

Signalling	EDM Type 1 compliant
CPU	NXP i.MX6Solo @ 1GHz NXP i.MX6Dualite @ 1GHz NXP i.MX6Dual @ 1GHz NXP i.MX6Quad @ 1GHz
System Memory	up to 2GB DDR3
Storage	eMMC (default 4GB) optional NAND Flash (MOQ apply)
Debug Interface	JTAG Interface by Through-hole
FPC Connector	MIPI Interface Camera MIPI Interface Display

Connectivity

Network	Atheros AR8031 Gigabit LAN
WiFi	Broadcom BCM4330 802.11bgn
Bluetooth	Broadcom BCM4330 BT 4.0

I/O Interfaces

Storage	1x SATA 2.0 (Dual/Quad only) 1x SDIO/MMC
Expansion	1x PCIe 2.0
Display	HDMI v1.4 1 channel LVDS 18/24 bit 24 bit RGB TTL
USB	USB Host 2.0 USB OTG 2.0
CAN Bus	2x Flex CAN version 2.0B compliant
Serial Port	2x UART
Other	SPI, I ² C, I ² S, GPIO, Local Bus (GPMC)

Video

	Solo/Dualite	Dual/Quad
GPU 3D	Vivante GC880 35Mtri/s 266Mpxl/s OpenGL ES 2.0	Vivante GC2000 200Mtri/s 1000Mpxl/s OpenGL ES 2.0 & Halti, CL EP
GPU 2D (Vector Graphics)	emulated on GPU 3D	Vivante GC355 300Mpxl/s OpenVG 1.1
GPU 2D (Composition)	Vivante GC320 600Mpxl/s, BLIT	Vivante GC320 600Mpxl/s, BLIT
Video Decode	1080p30 + D1	1080p60 H.264
Video Encode	1080p30 H.264 BP/Dual 720p	1080p30 H.264 BP/Dual 720p

Audio

Interface	I ² S (2 channel), S/PDIF
Audio Codec	on EDM Carrier Board

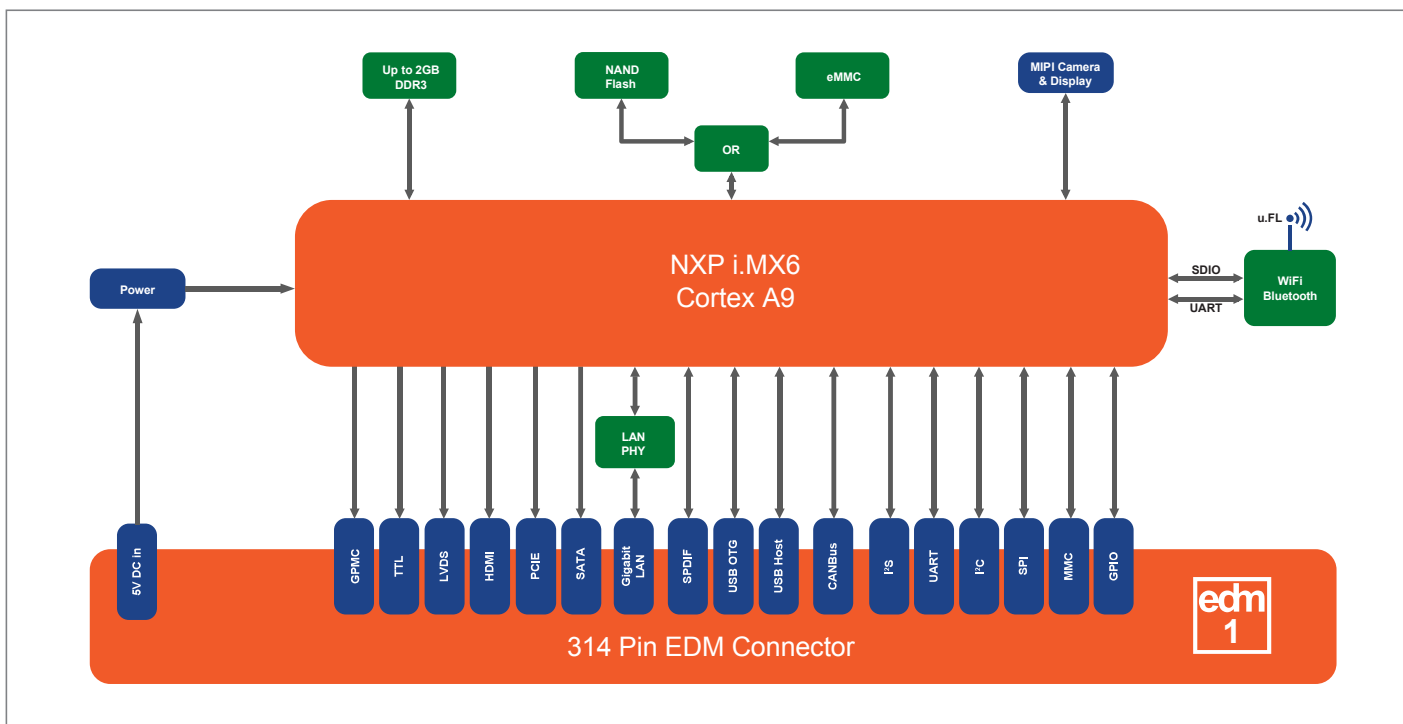
Power Specifications

Input power	5V DC +/- 5%
-------------	--------------

Operation Systems

Standard Support	Linux Yocto Android
Extended Support	Commercial Linux Windows Embedded Compact Real Time OS

Block Diagram

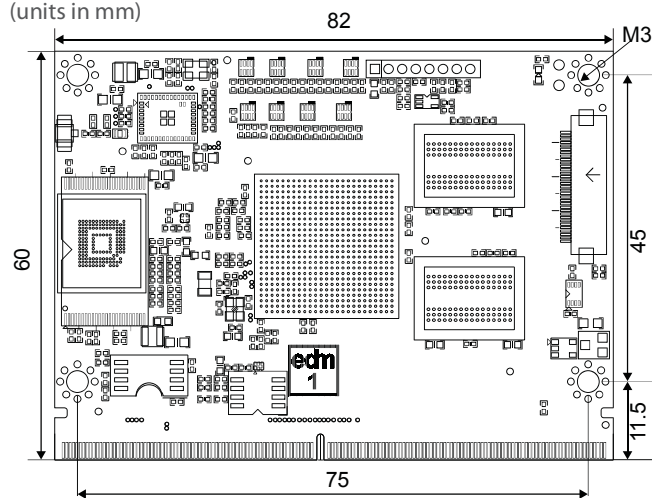


Environmental and Mechanical

Temperature	Commercial : 0° to 60° C Extended : -20° to 70° C Industrial : -40° to 85° C (no WiFi)
Humidity	10 to 90%
Module Connector	314 pins MXM3
Form Factor	EDM Compact Form Factor
Dimensions	82 x 60 mm (3 1/8 x 2 3/8 inch)
MTBF	>100,000 hours
Weight	20 grams
Shock	50G/25ms
Vibration	20G/0-600 Hz

Dimensions

(units in mm)



Ordering Information

EDM1-CF-IMX6x-10-Rxxx-NIxG-xx-x-x-xx-xxx-xxxx

	Code	Description
Processor	IMX6S	i.MX6 Solo
	IMX6U	i.MX6 Duallite
	IMX6D	i.MX6 Dual
	IMX6Q	i.MX6 Quad
Processor speed	10	1 GHz (Default)
Memory	R512	512 MB DDR3
	R1GB	1GB DDR3
	R2GB	2GB DDR3
Storage	NI4G	eMMC capacity in Gigabyte NI4G = 4GB : NI8G = 8GB : NI16G = 16GB NI32G = 32GB : NI64G = 64GB
	-	No
	BW	802.11bgn + Bluetooth 4.0
	-	No
Network	L	Gigabit LAN(Default)
	-	No
SATA	-	No
CAN Bus	S	SATA(Dual/Quad)
	-	No
Temperature Range	2C	2 CAN(Default)
	-	Commercial Temperature range (0~60° C)(Default)
	TE	Extended Temperature range (-20~70° C)
	T1	Industrial Temperature range (-40~85° C)
Custom ID	TEC	Certified Extended Temperature range (-20~70° C)
	TIC	Certified Industrial Temperature range (-40~85° C)
	XXXX	Custom Part number ID for customized software loader and special component (BOM)

* Feel free to contact us for custom tailored Carrier Board request for your projects.